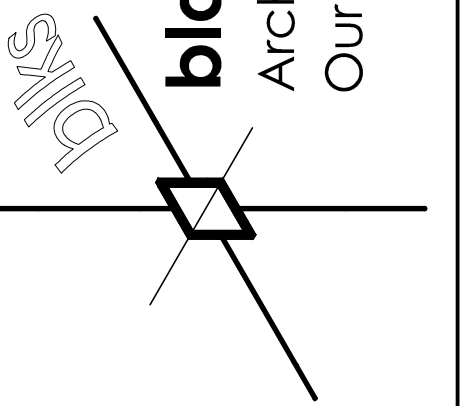
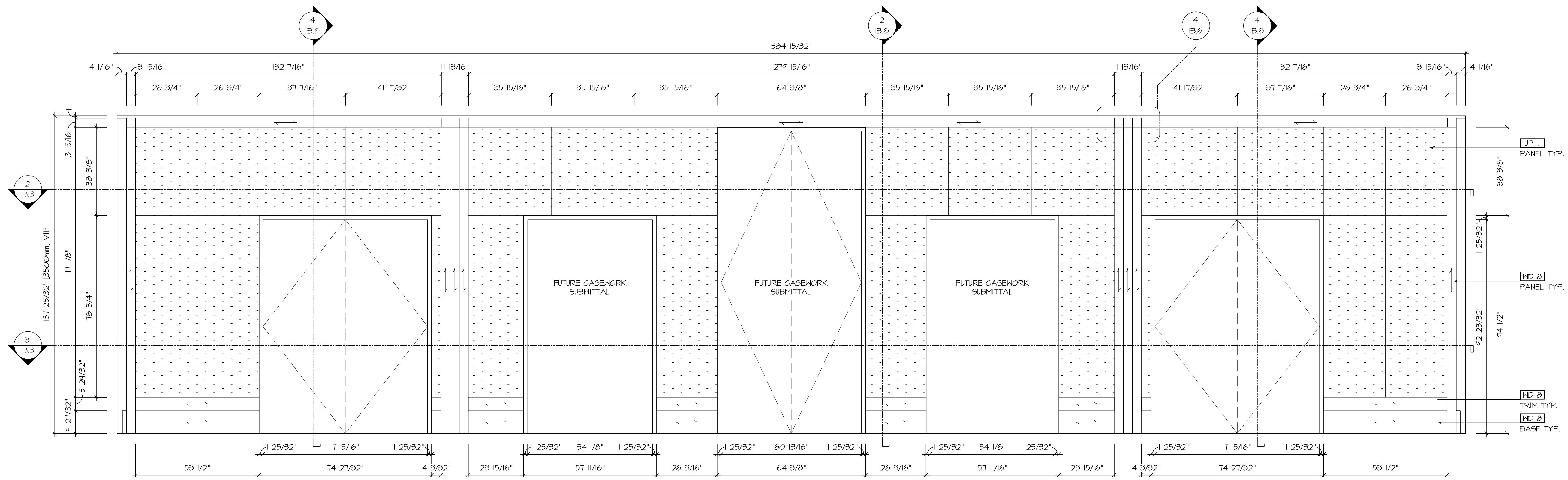


1
IB.1
ENLARGED PLAN: MEETING ROOM 2
1/2"=12"
AH-P-001

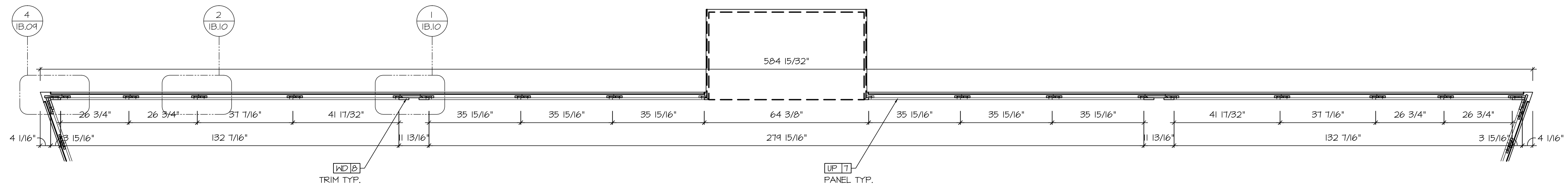
HOSPITALITY

blacks outsourcing, inc.
Architectural Woodwork Engineering
Our business is drawing yours

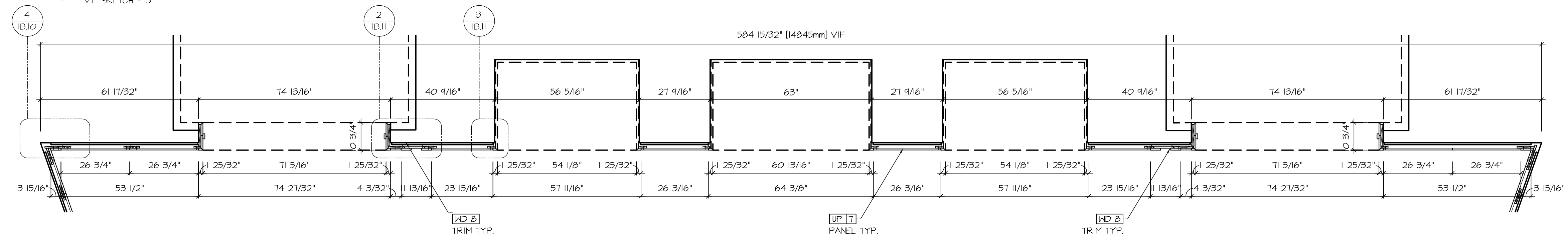




1 ELEVATION:
IB.3
1/2"=12"
OO/AH-P-054 / V.E. SKETCH - 3



2 PLAN SECTION:
IB.3
1/2"=12"
V.E. SKETCH - 13

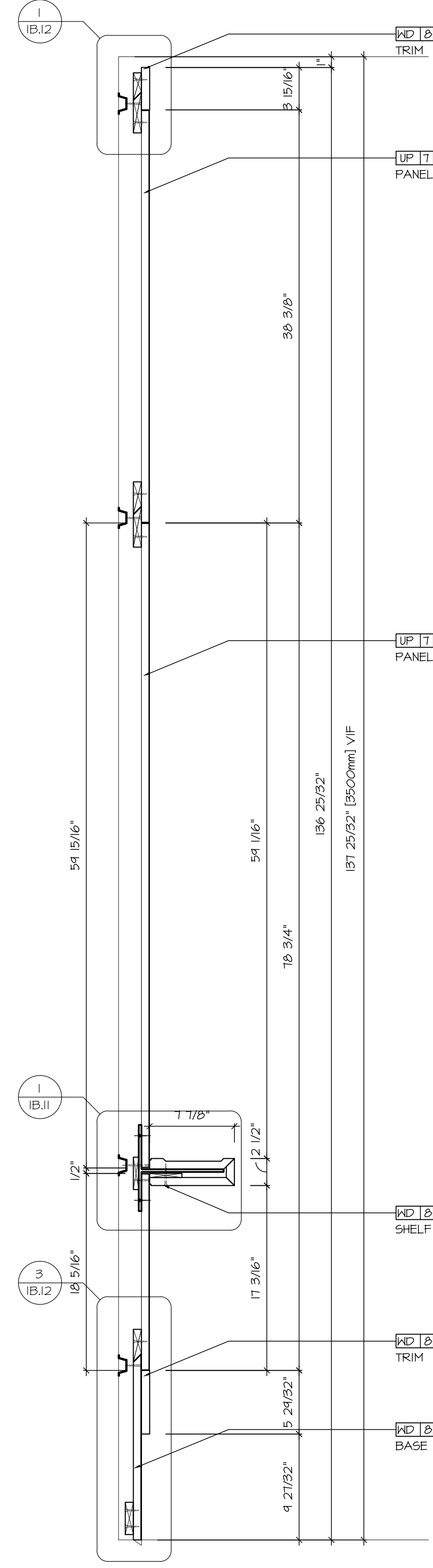


3 PLAN SECTION:
IB.3
1/2"=12"
V.E. SKETCH - 13

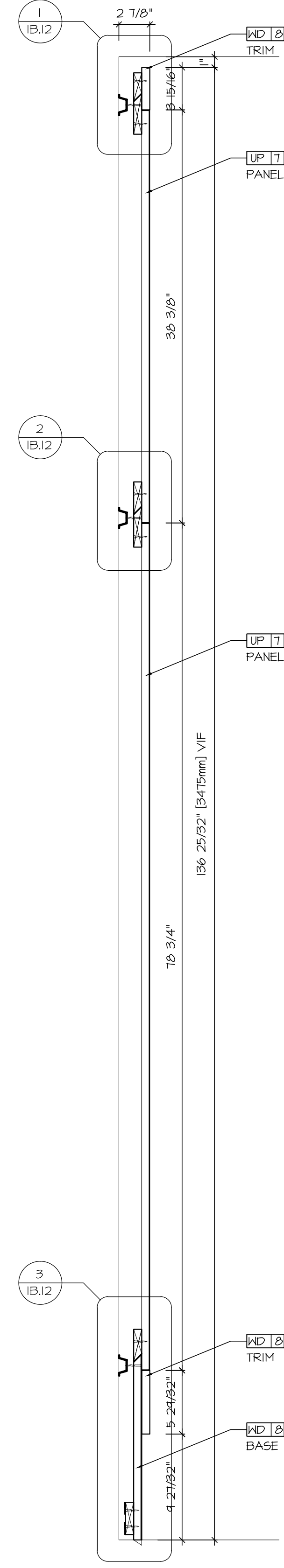
HOSPITALITY

blacks outsourcing, inc.
Architectural Woodwork Engineering
Our business is drawing yours

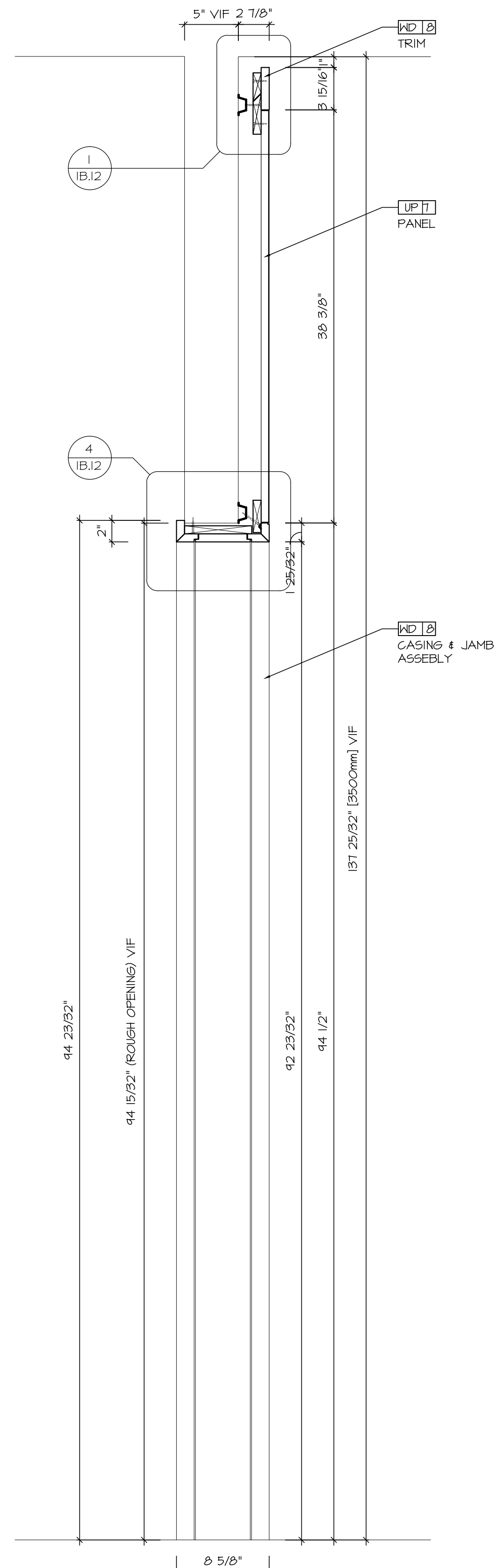
IB.3



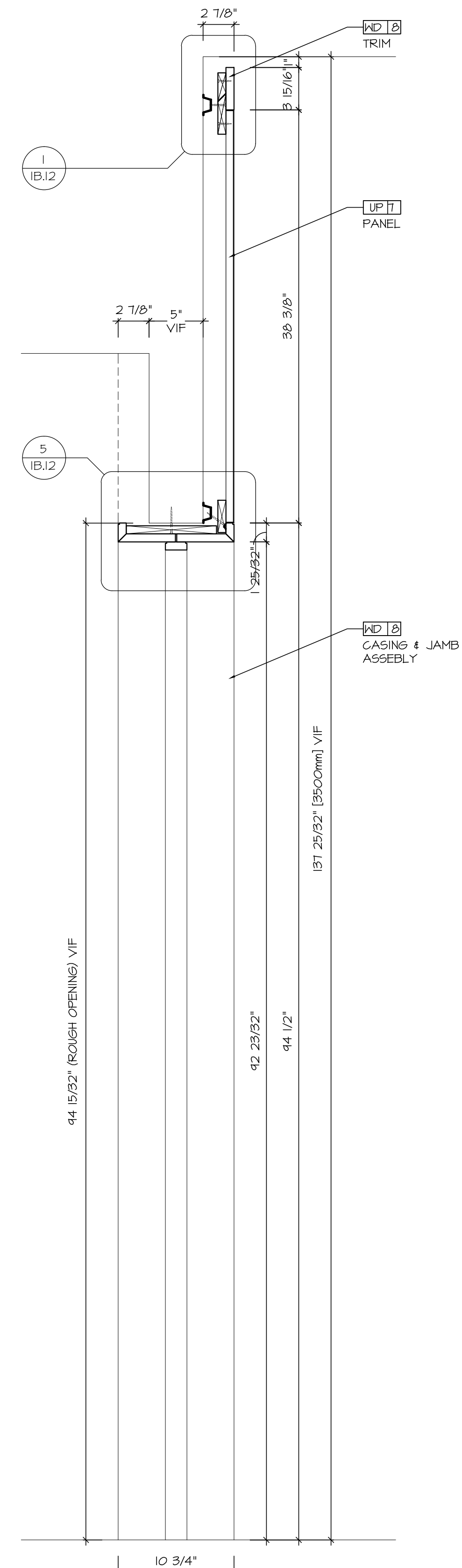
1 SECTION:
 1-1/2"x12"
 V.E. SKETCH - II



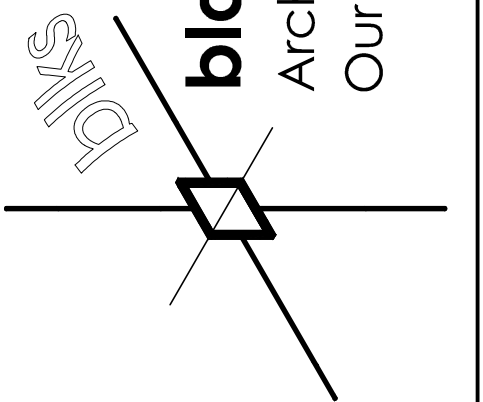
2 SECTION:
 1-1/2"x12"
 V.E. SKETCH - I2



3 SECTION:
 1-1/2"x12"
 NONE



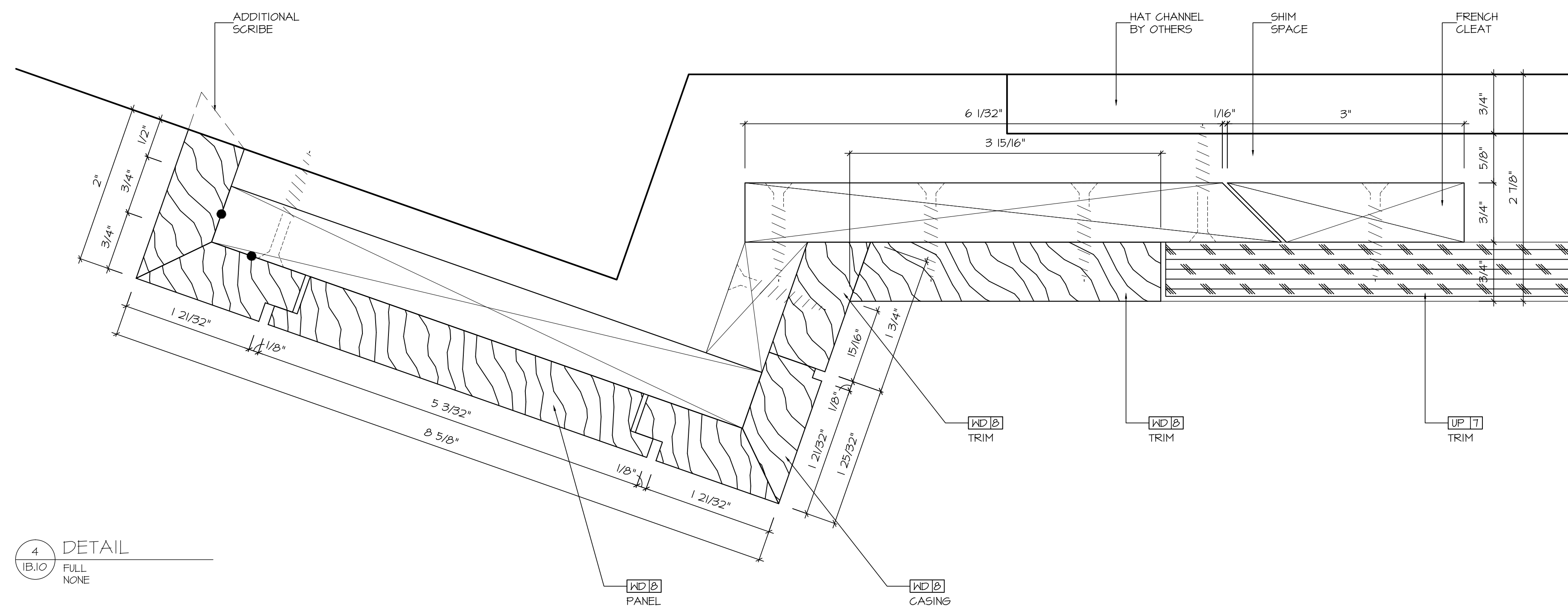
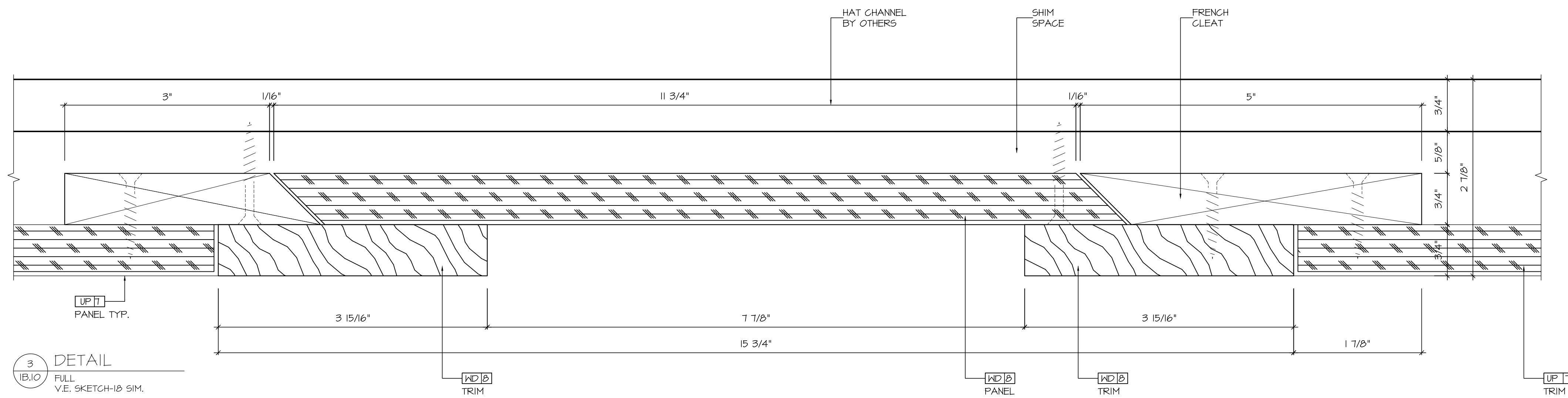
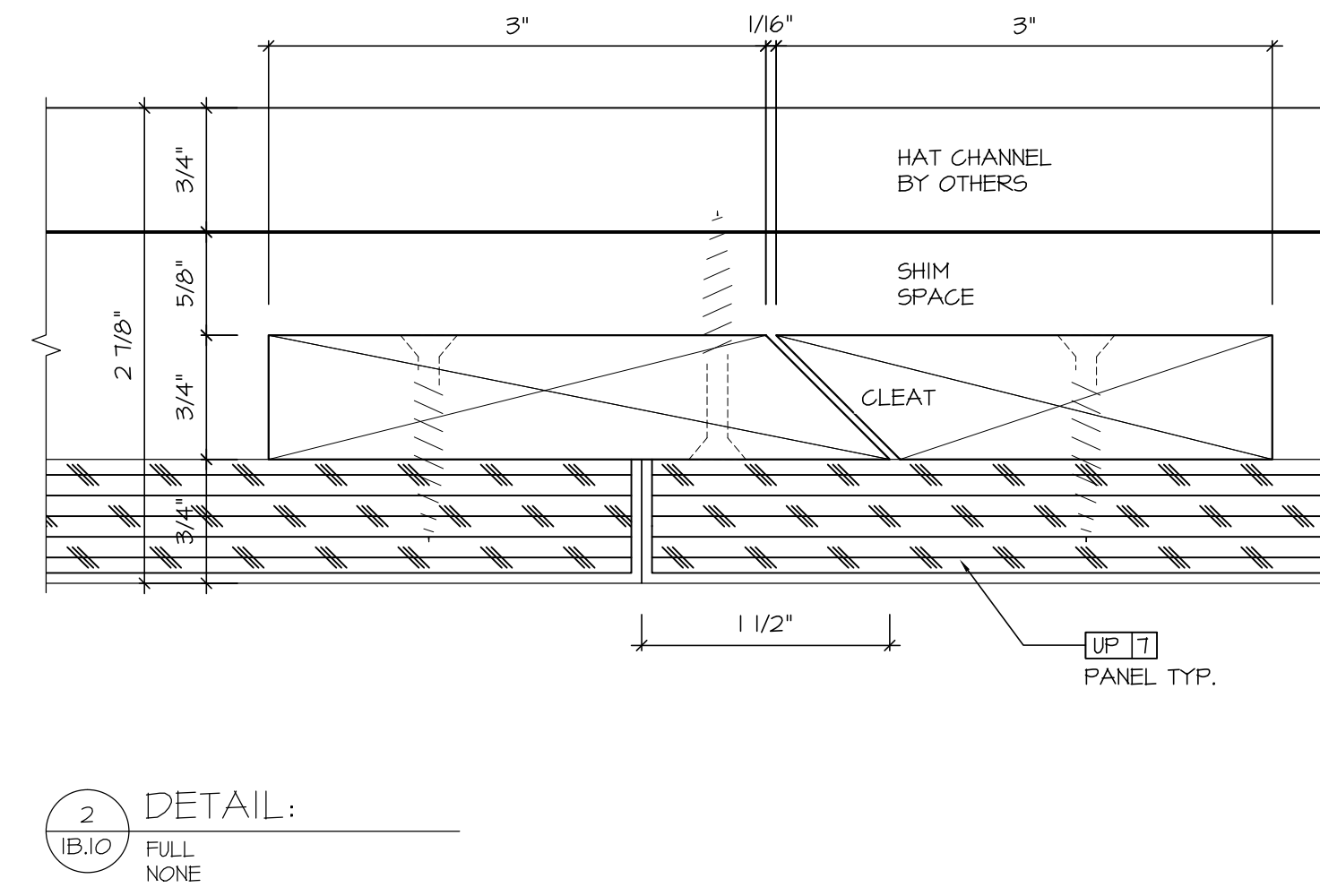
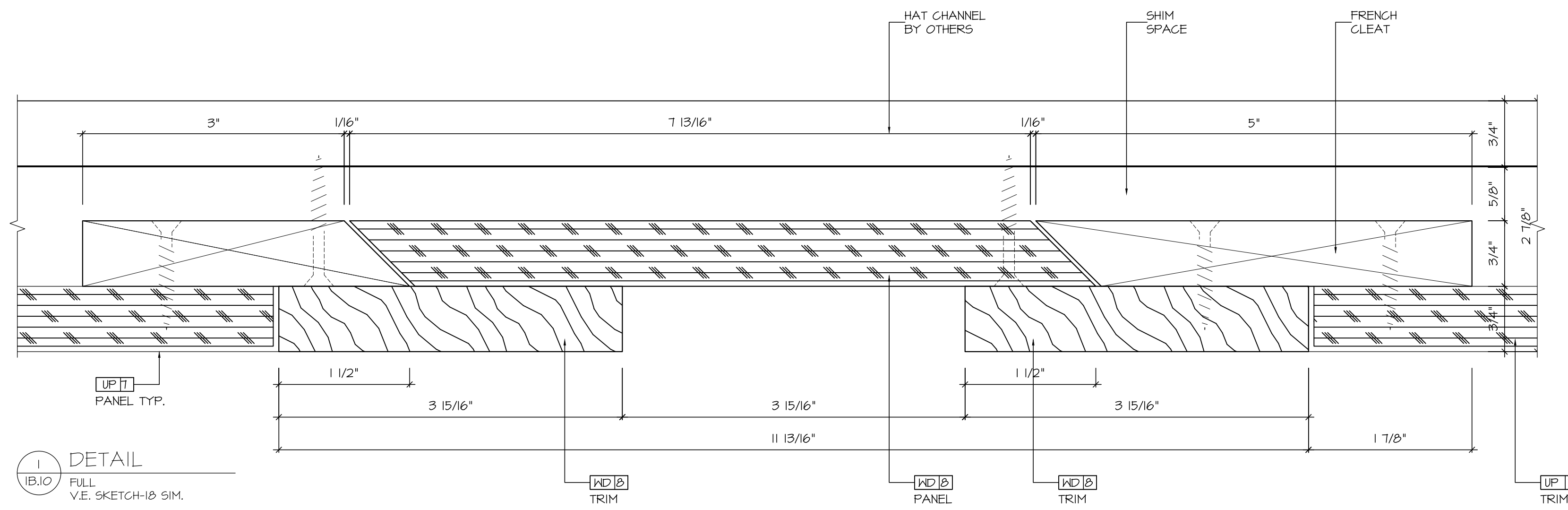
4 SECTION:
 1-1/2"x12"
 NONE



blacks outsourcing, inc.
 Architectural Woodwork Engineering
 Our business is drawing yours

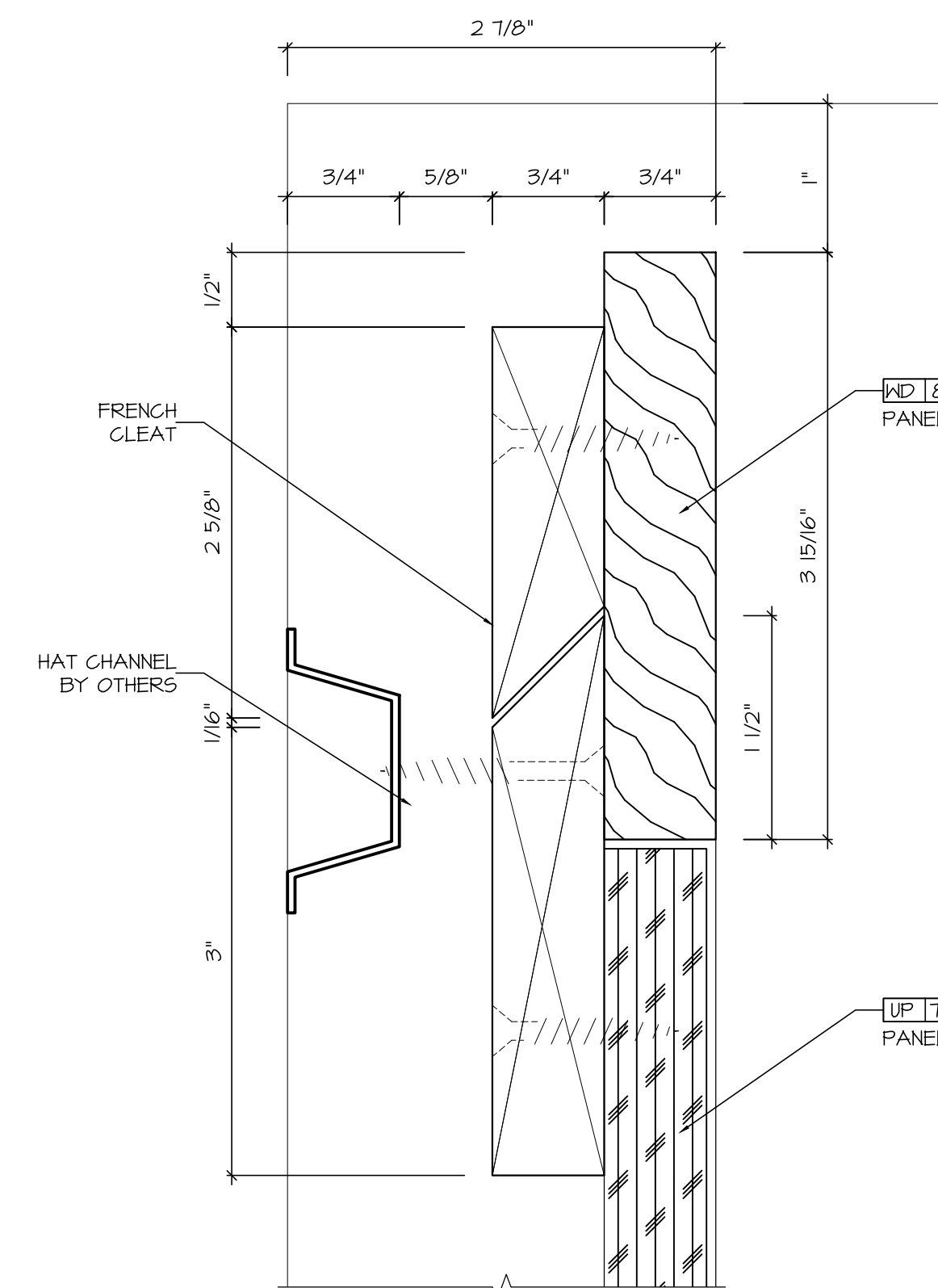
HOSPITALITY

HOSPITALITY

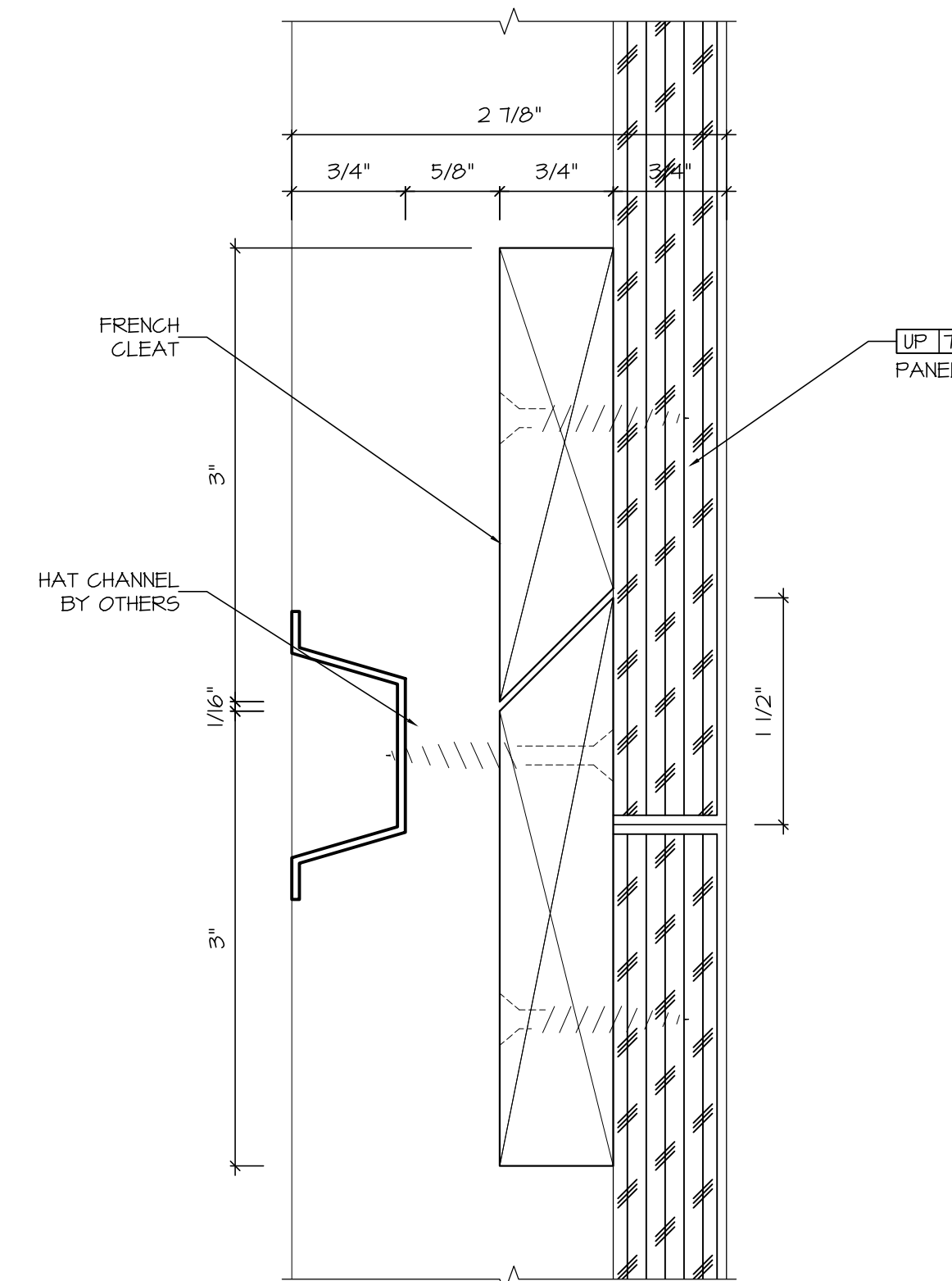


blacks outsourcing, inc.
Architectural Woodwork Engineering
Our business is drawing yours

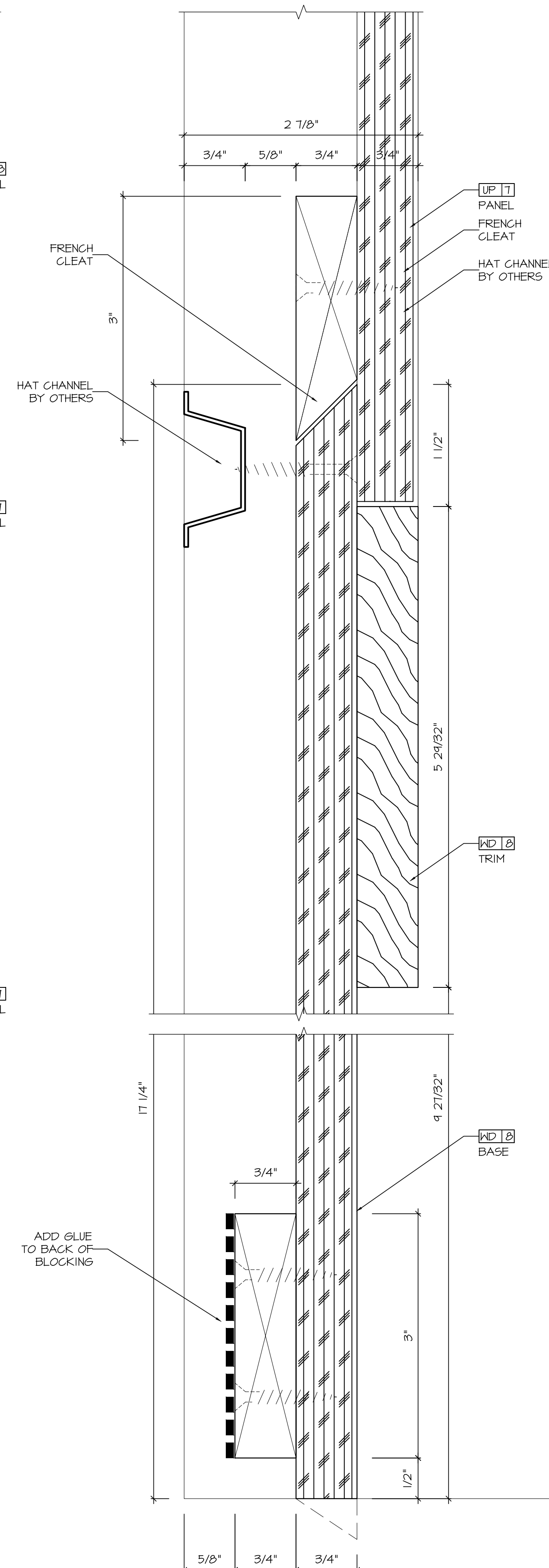
IB.10



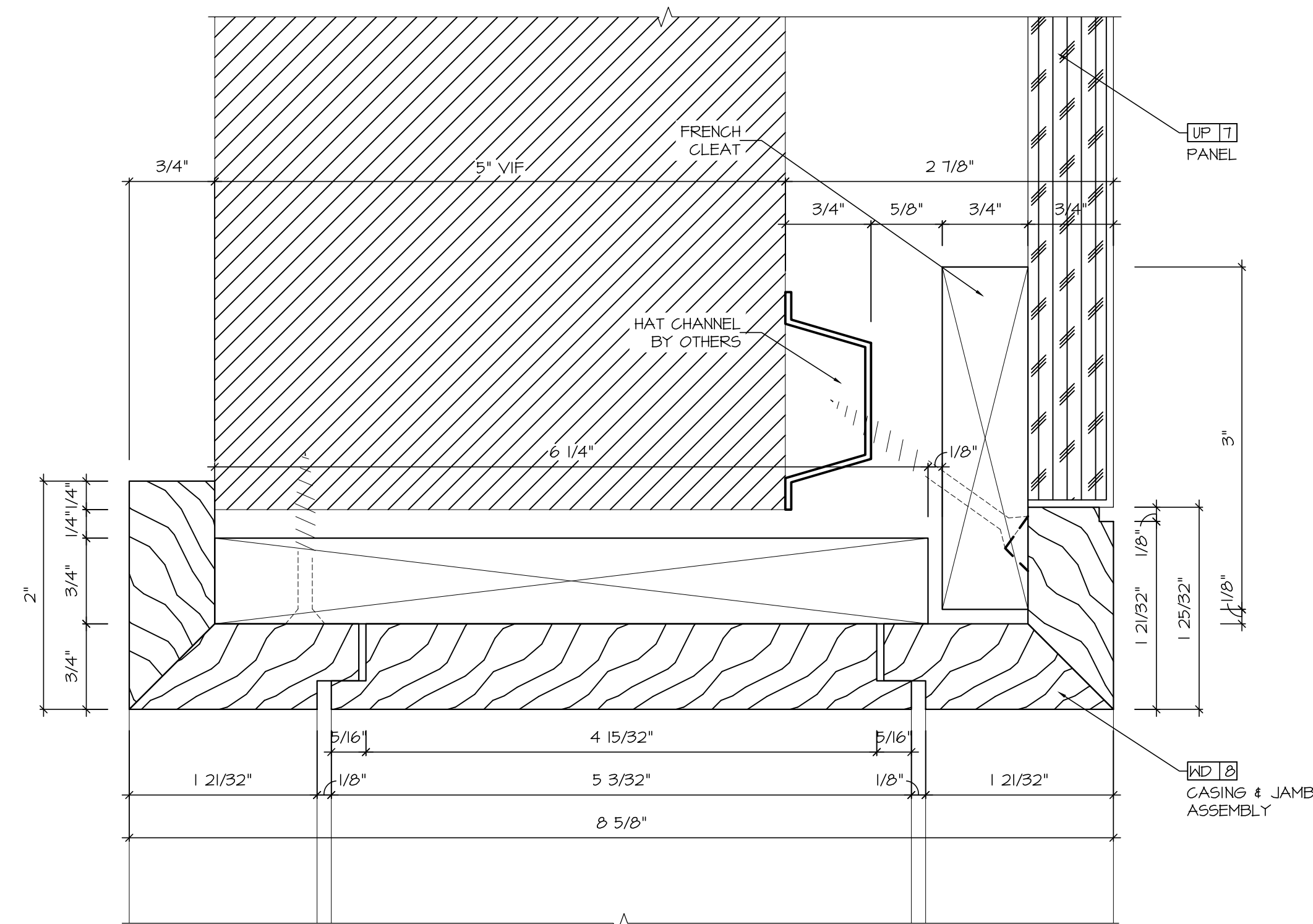
1 DETAIL:
IB.12 FULL V.E. SKETCH-12



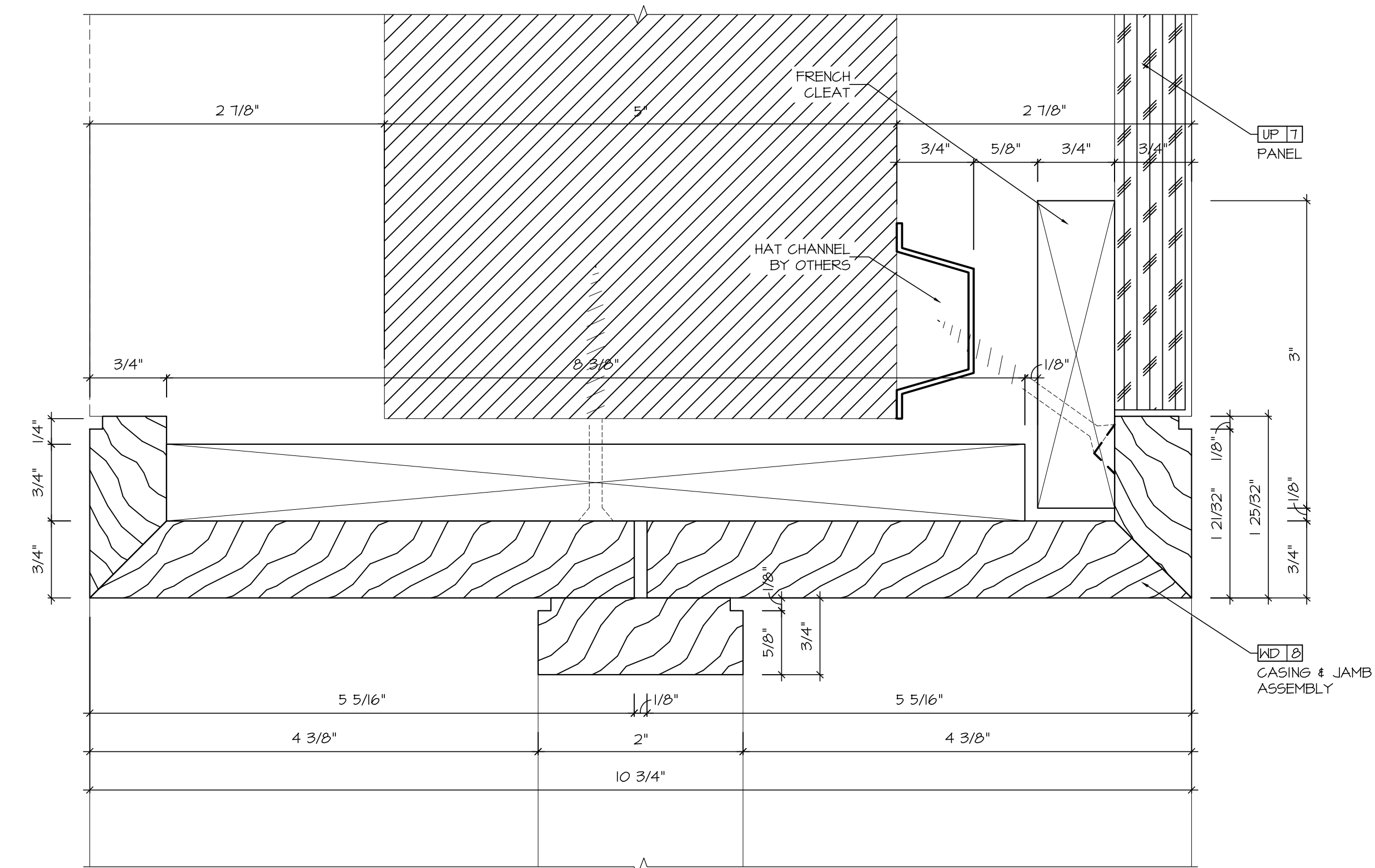
2 DETAIL:
IB.12 FULL V.E. SKETCH-12



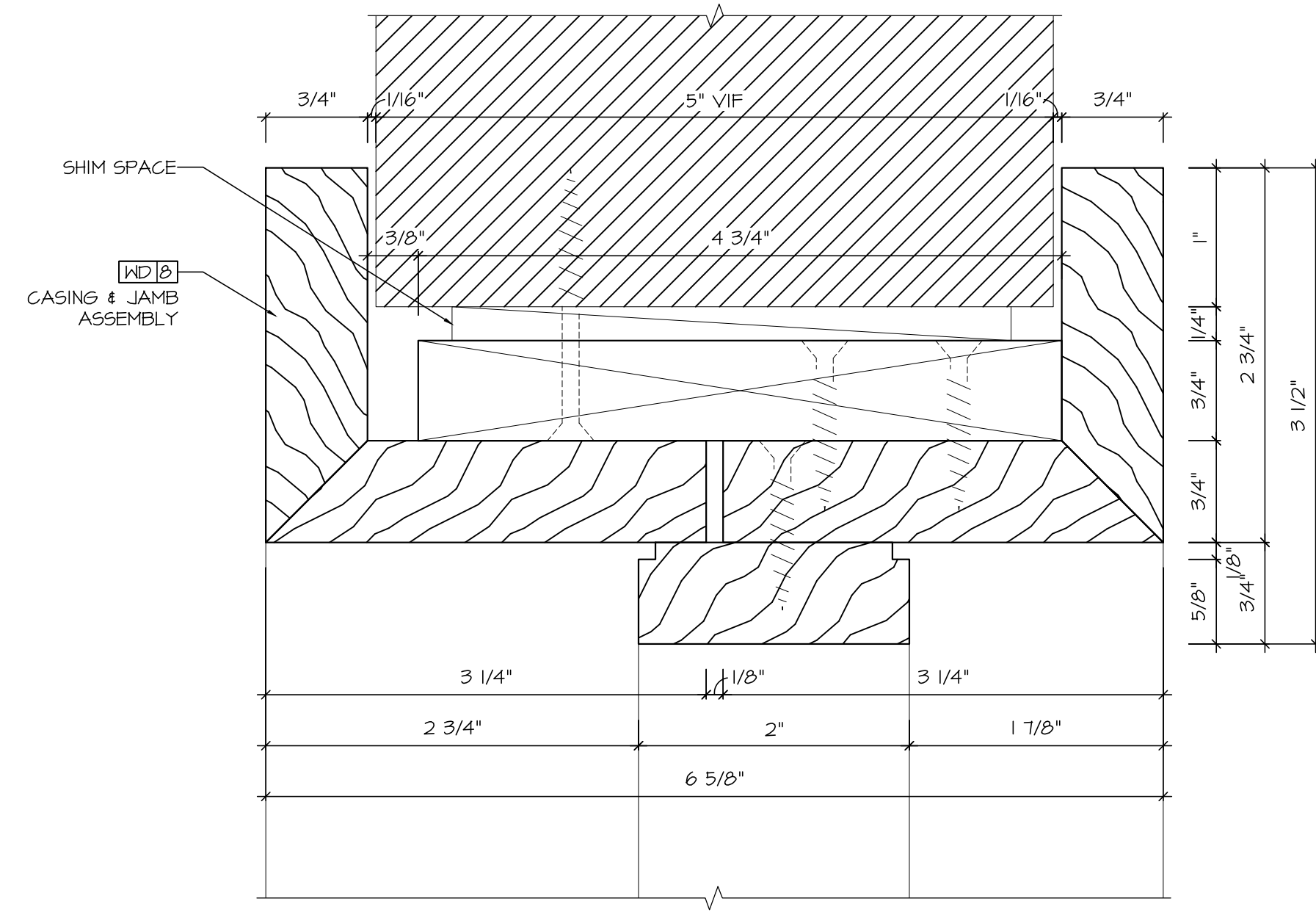
3 DETAIL:
IB.12 FULL V.E. SKETCH-12



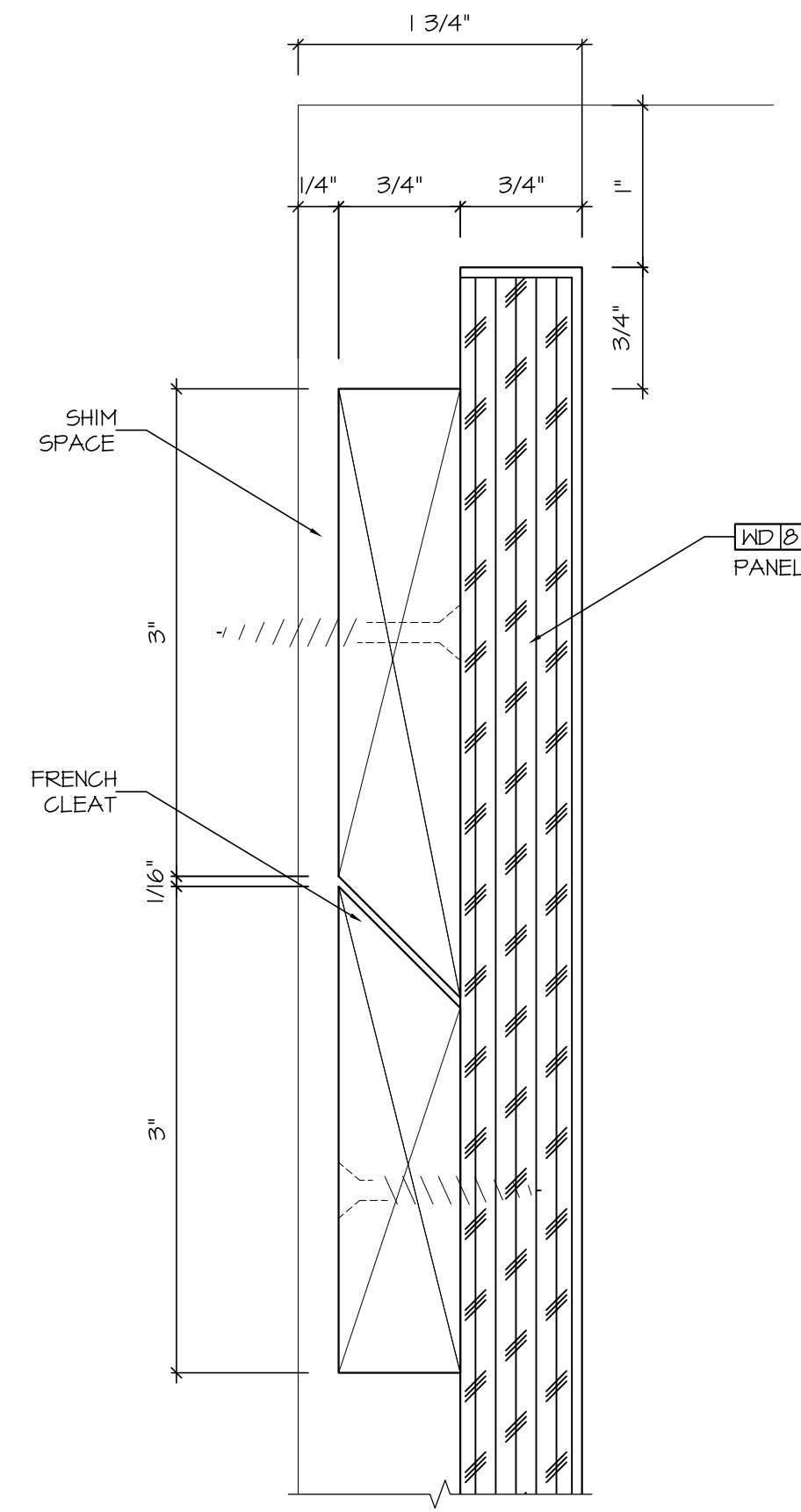
4 DETAIL:
IB.12 FULL V.E. SKETCH-13



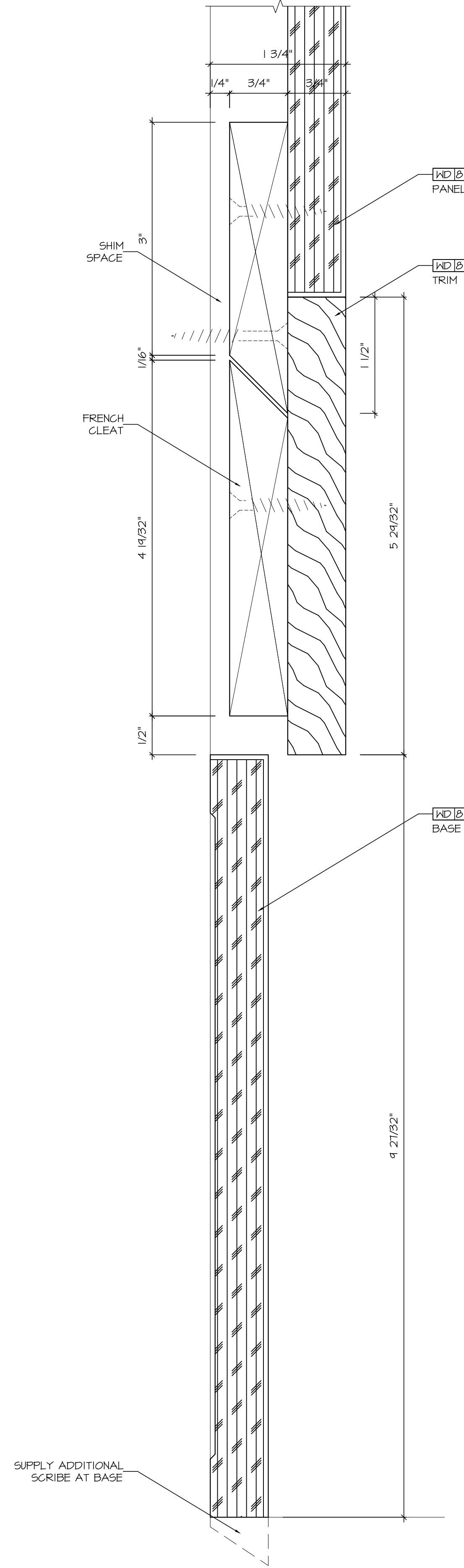
5 DETAIL:
IB.12 FULL V.E. SKETCH-15



1 DETAIL:
IB.13 FULL
V.E. SKETCH-14



2 DETAIL:
IB.13 FULL
V.E. SKETCH-17



3 DETAIL:
IB.13 FULL
V.E. SKETCH-17

HOSPITALITY

