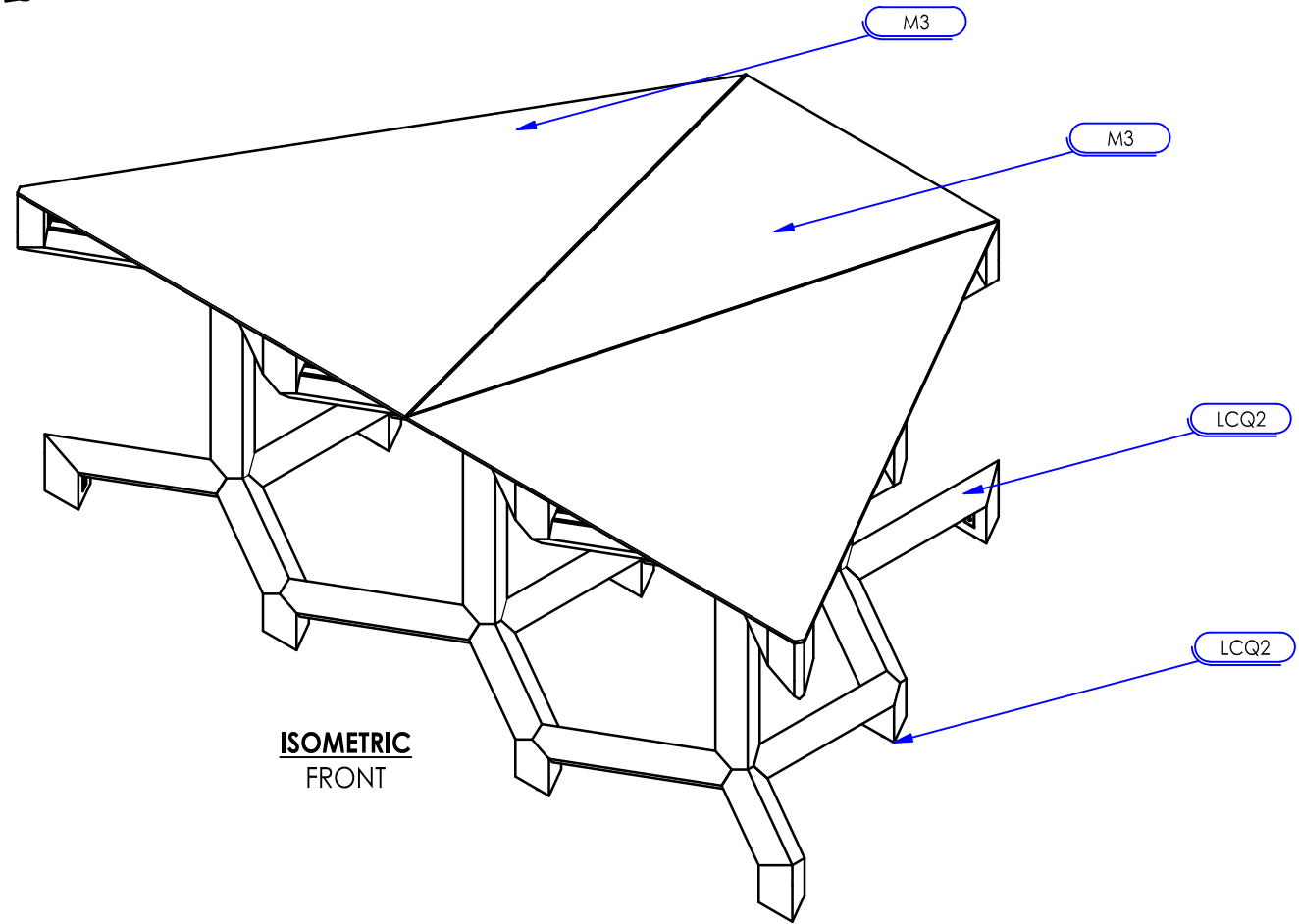


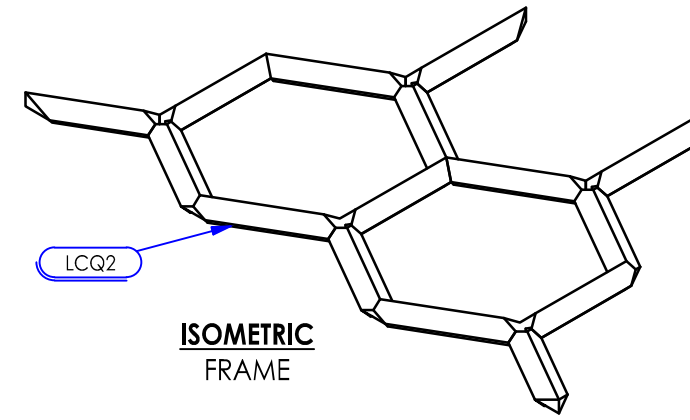
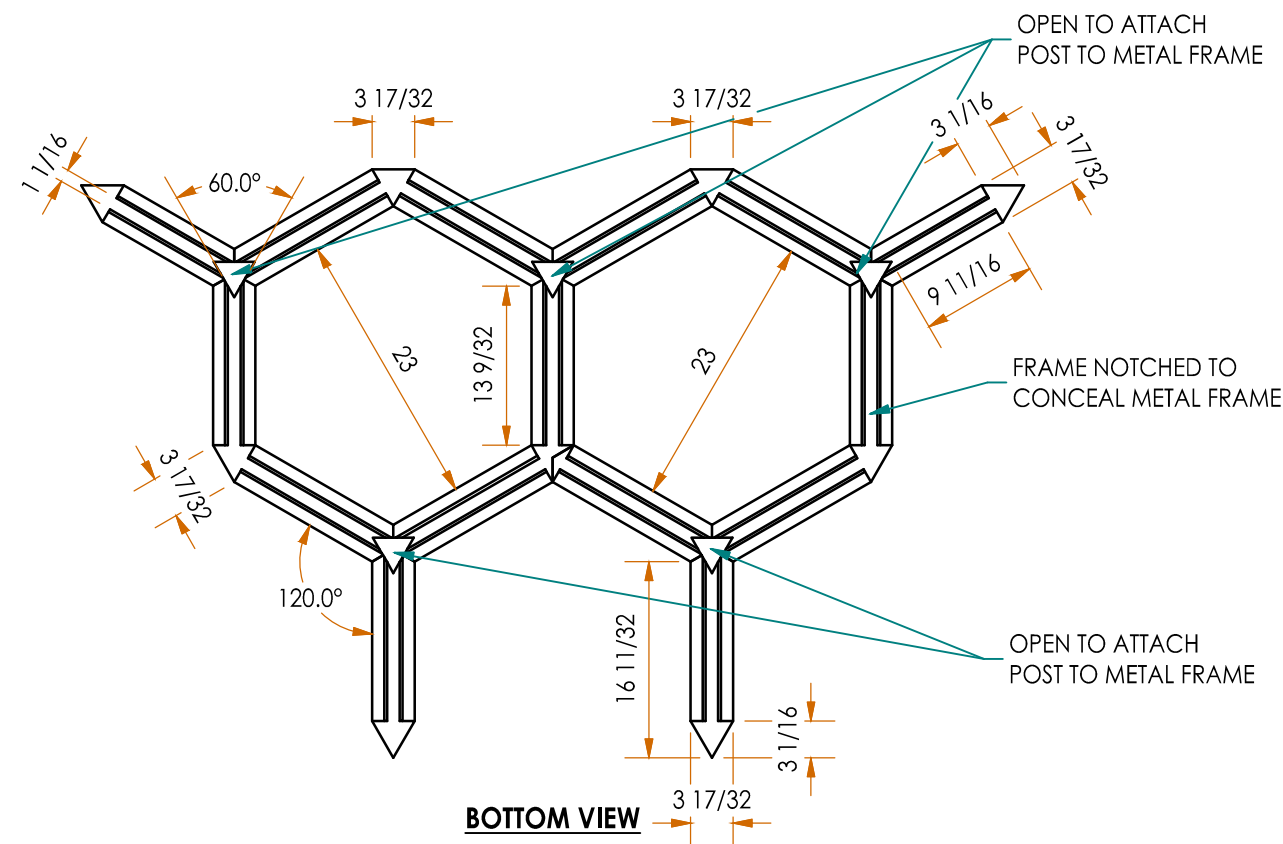
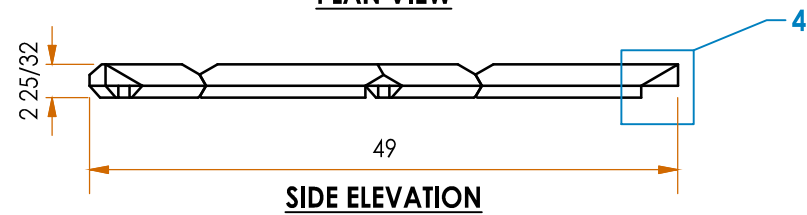
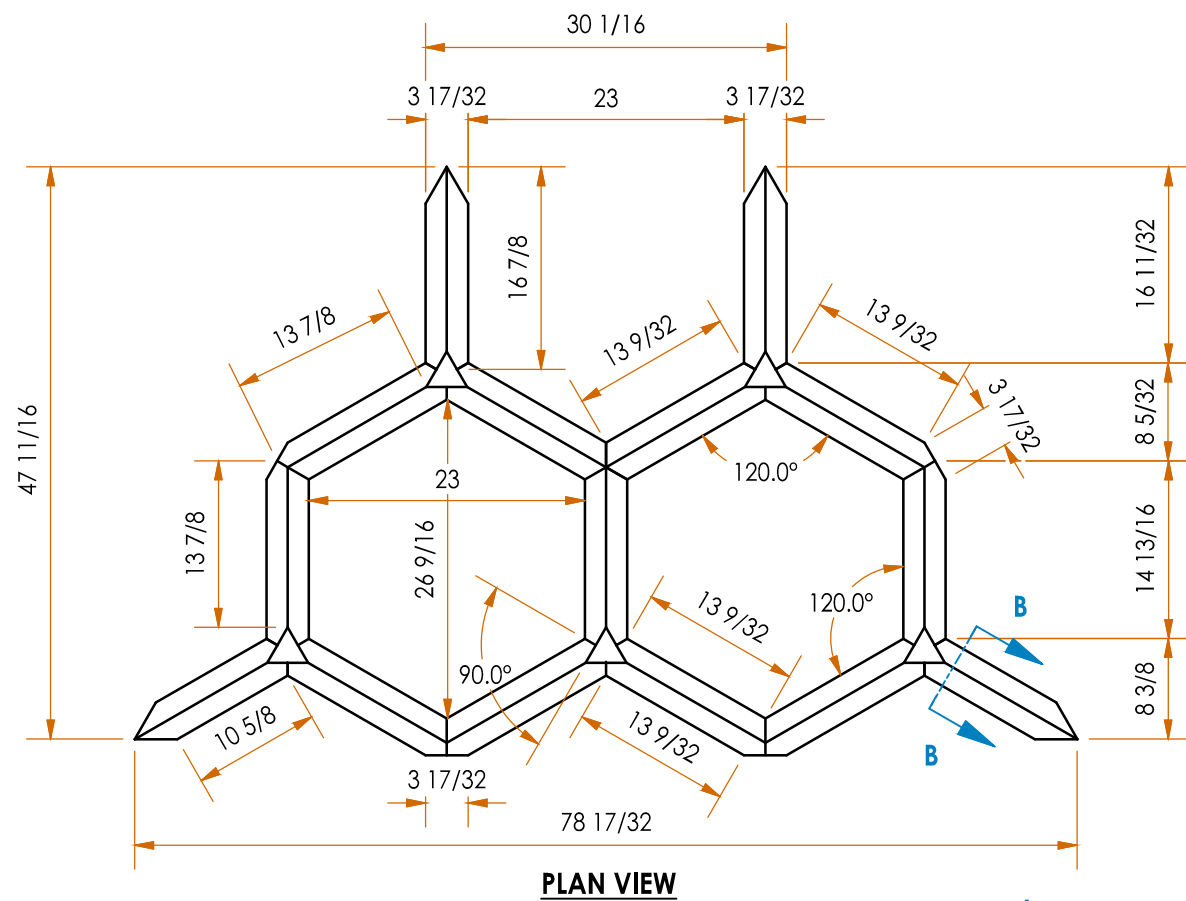
SHOP NOTES:
 1. FULLY WELD, GRIND AND POLISH SMOOTH ALL VISIBLE METAL. EASE ALL METAL EDGES.
 2. ALL SEAMS IN WOOD AND METAL TO BE A TIGHT FIT AND FLUSH FOR CLEAN LOOK. NO GAPS. CAULK WHERE NECESSARY.
 3. NO UNFINISHED EDGES, SEAMS OR REVEALS.
 4. PLEXIGLASS POLISHED AT ALL EDGES.



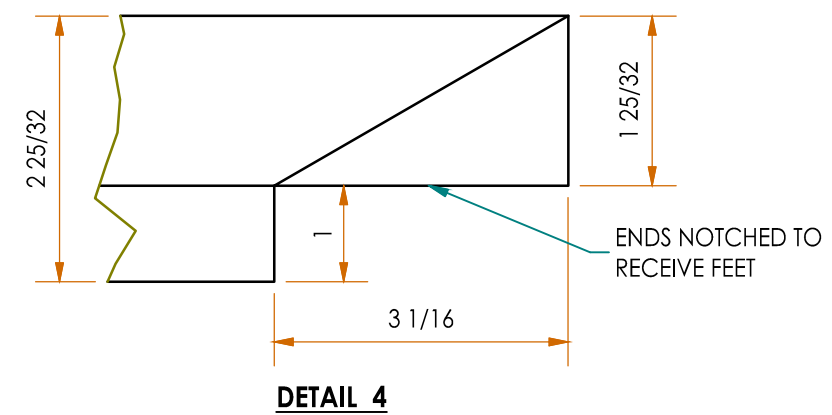
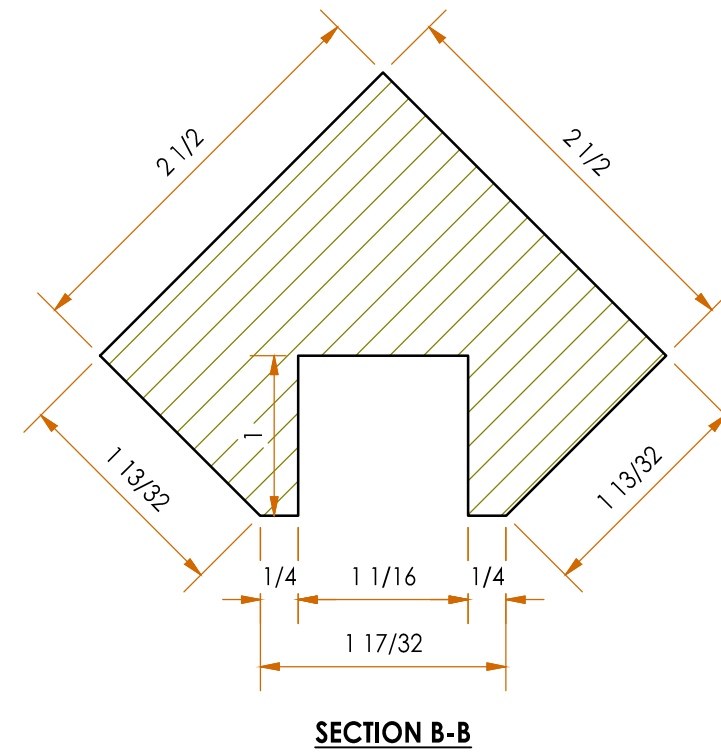
RETAIL



blks outsourcing, inc.
 Architectural Woodwork Engineering
 Our business is drawing yours

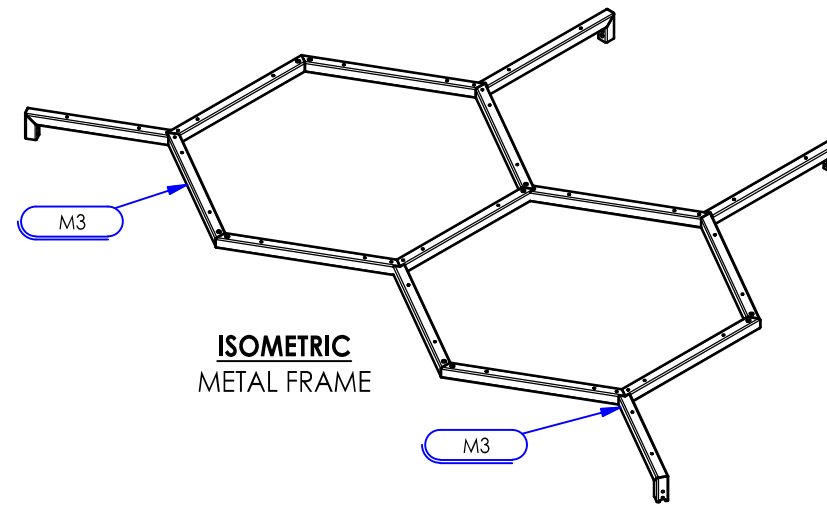
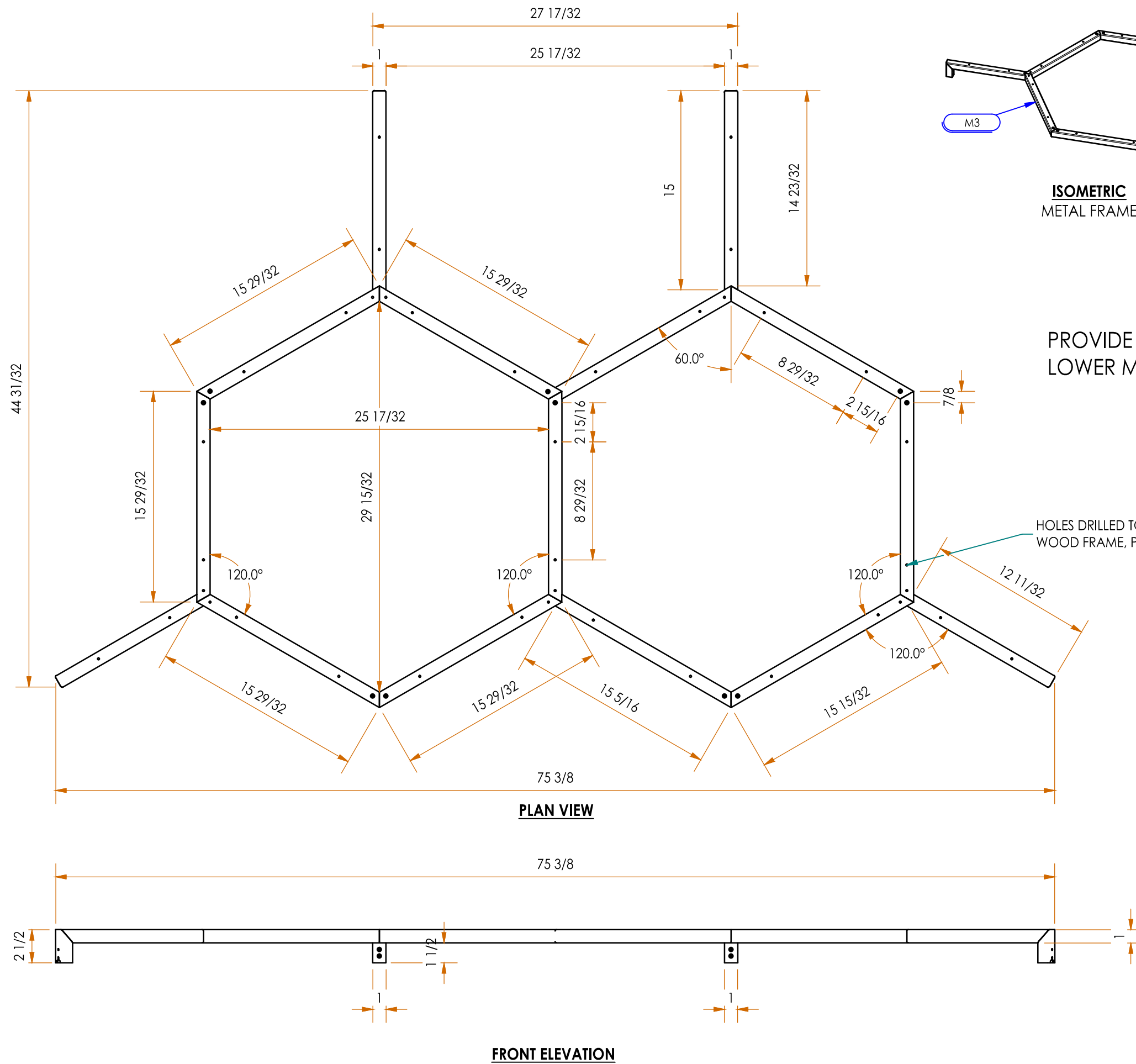


PROVIDE ONE (1) AS DETAILED LOWER WOODEN FRAME



RETAIL

blacks outsourcing, inc.
 Architectural Woodwork Engineering
 Our business is drawing yours



ISOMETRIC METAL FRAME

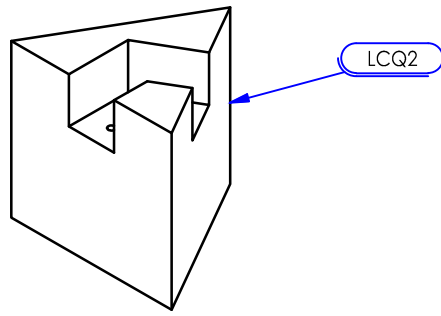
PROVIDE ONE (1) AS DETAILED LOWER METAL FRAME

HOLES DRILLED TO ATTACH WOOD FRAME, POSTS, AND LEGS

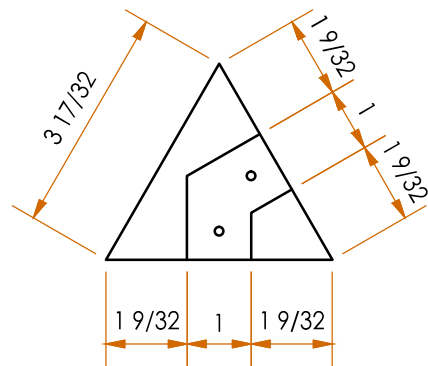
RETAIL

blacks outsourcing, inc.
 Architectural Woodwork Engineering
 Our business is drawing yours

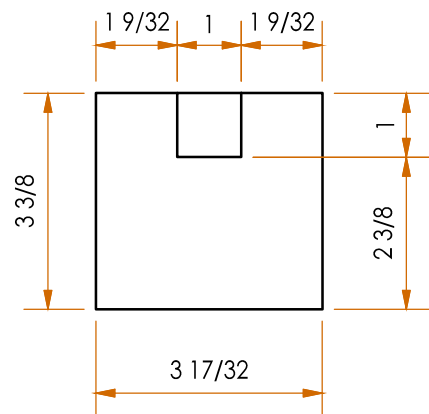
PROVIDE EIGHT (8)
AS DETAILED



ISOMETRIC
FOOT

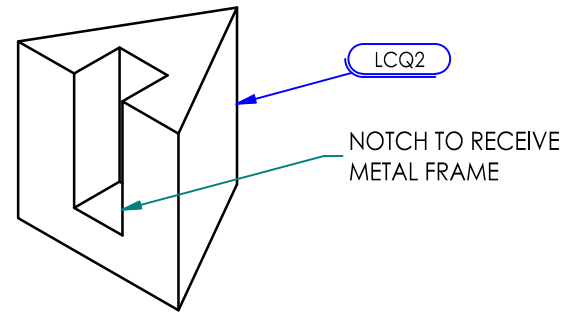


PLAN VIEW

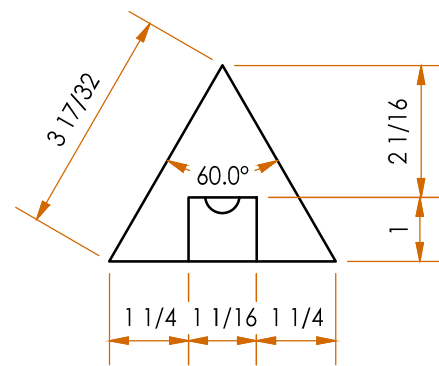


ELEVATION

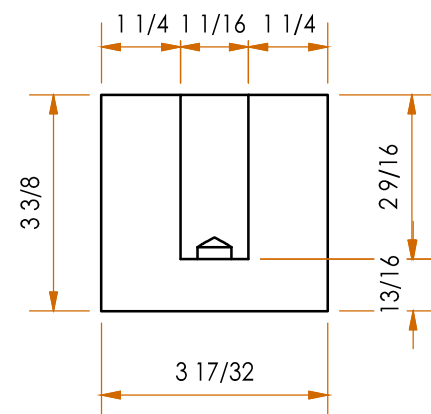
PROVIDE EIGHT (8)
AS DETAILED



ISOMETRIC
END FOOT

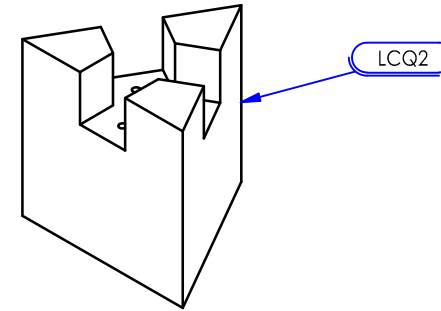


PLAN VIEW

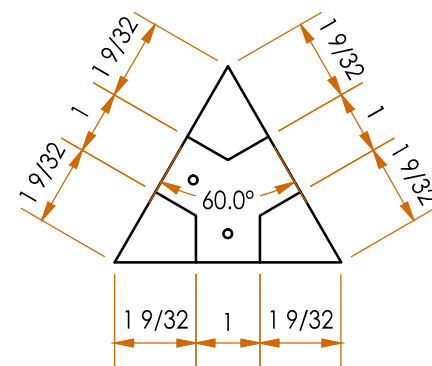


ELEVATION

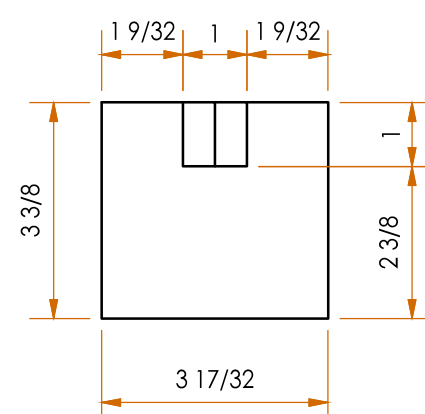
PROVIDE TWO (2)
AS DETAILED



ISOMETRIC
CENTER FOOT

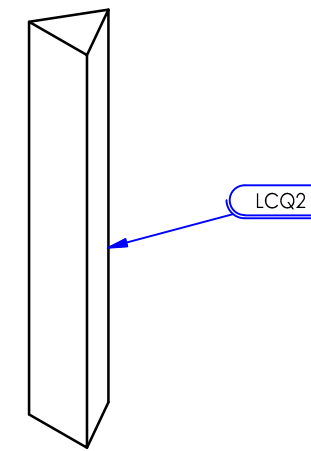


PLAN VIEW

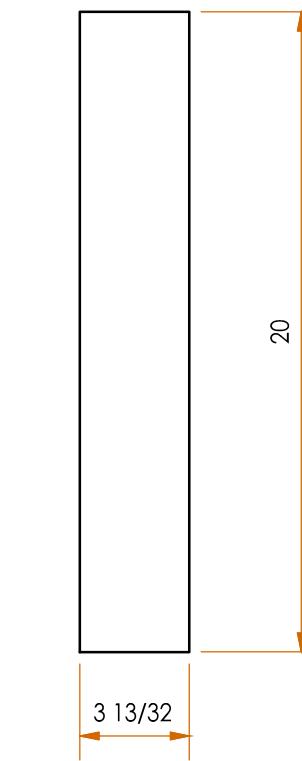
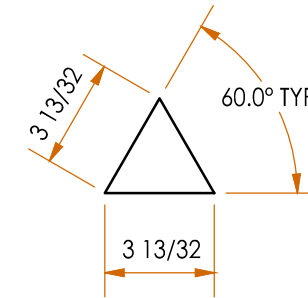


ELEVATION

PROVIDE FIVE (5)
AS DETAILED



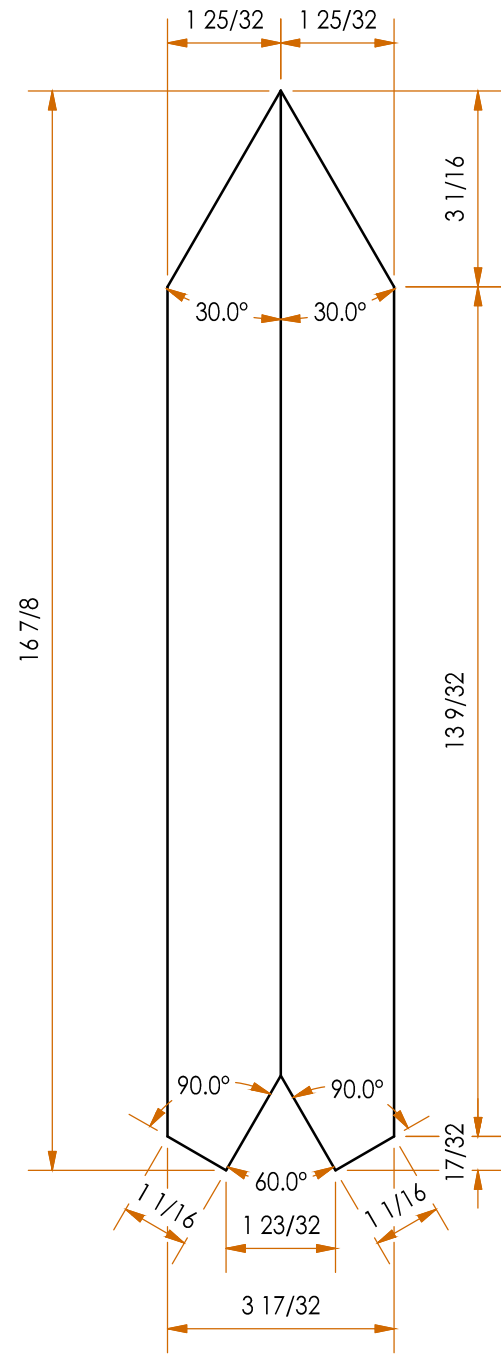
ISOMETRIC
POST



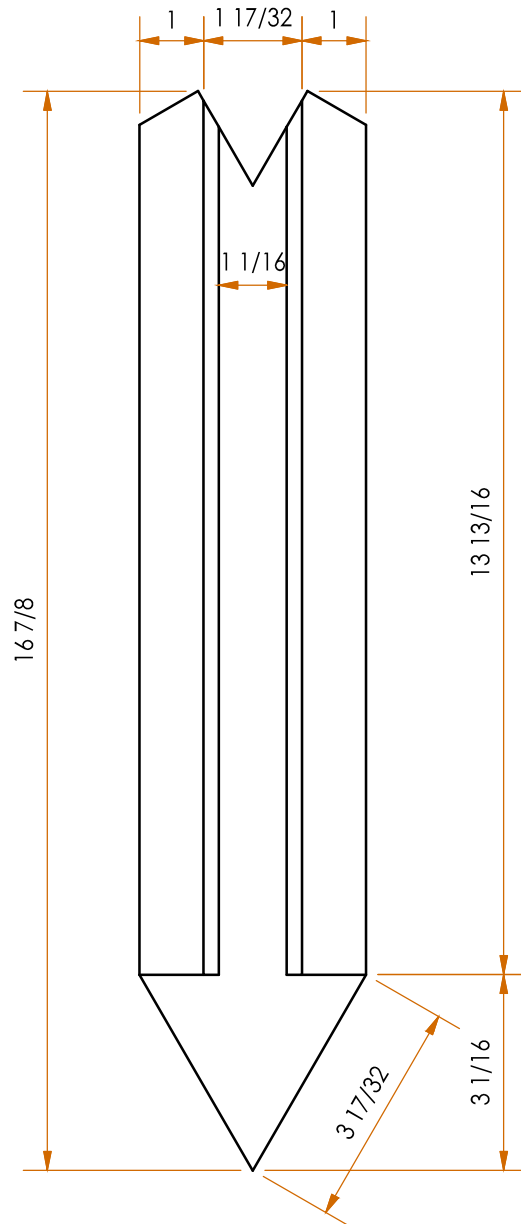
FRONT ELEVATION

RETAIL



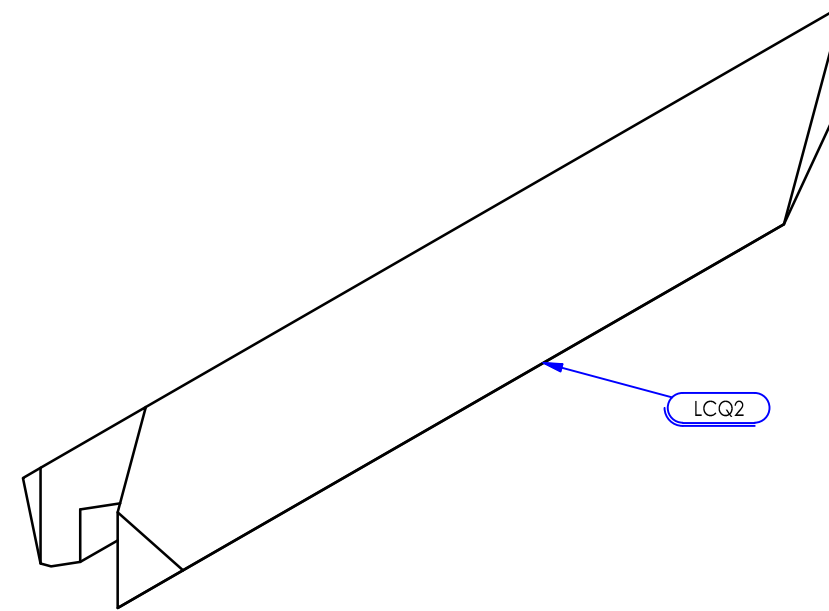


PLAN VIEW

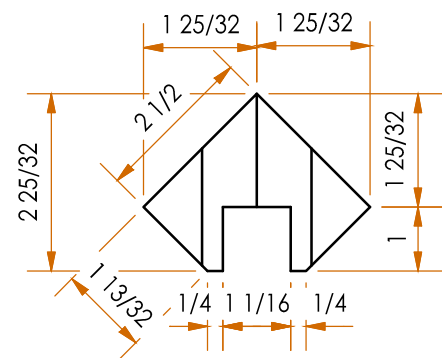


BOTTOM VIEW

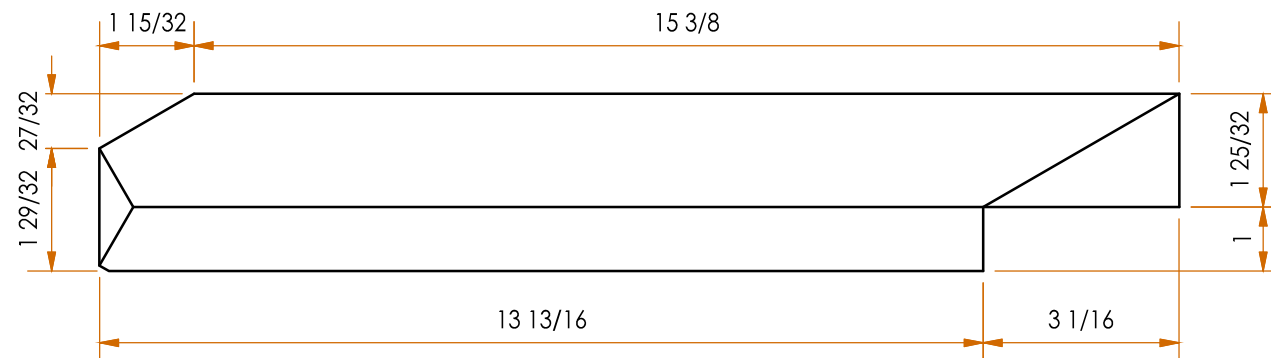
PROVIDE TWELVE (12) AS DETAILED



**ISOMETRIC
LEG**



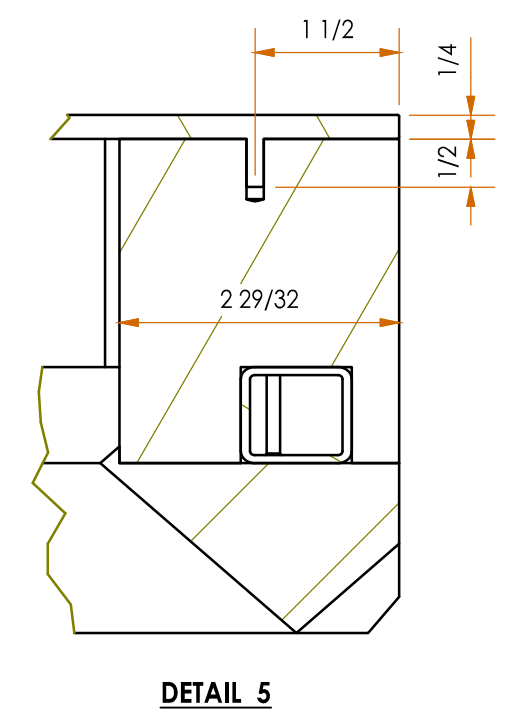
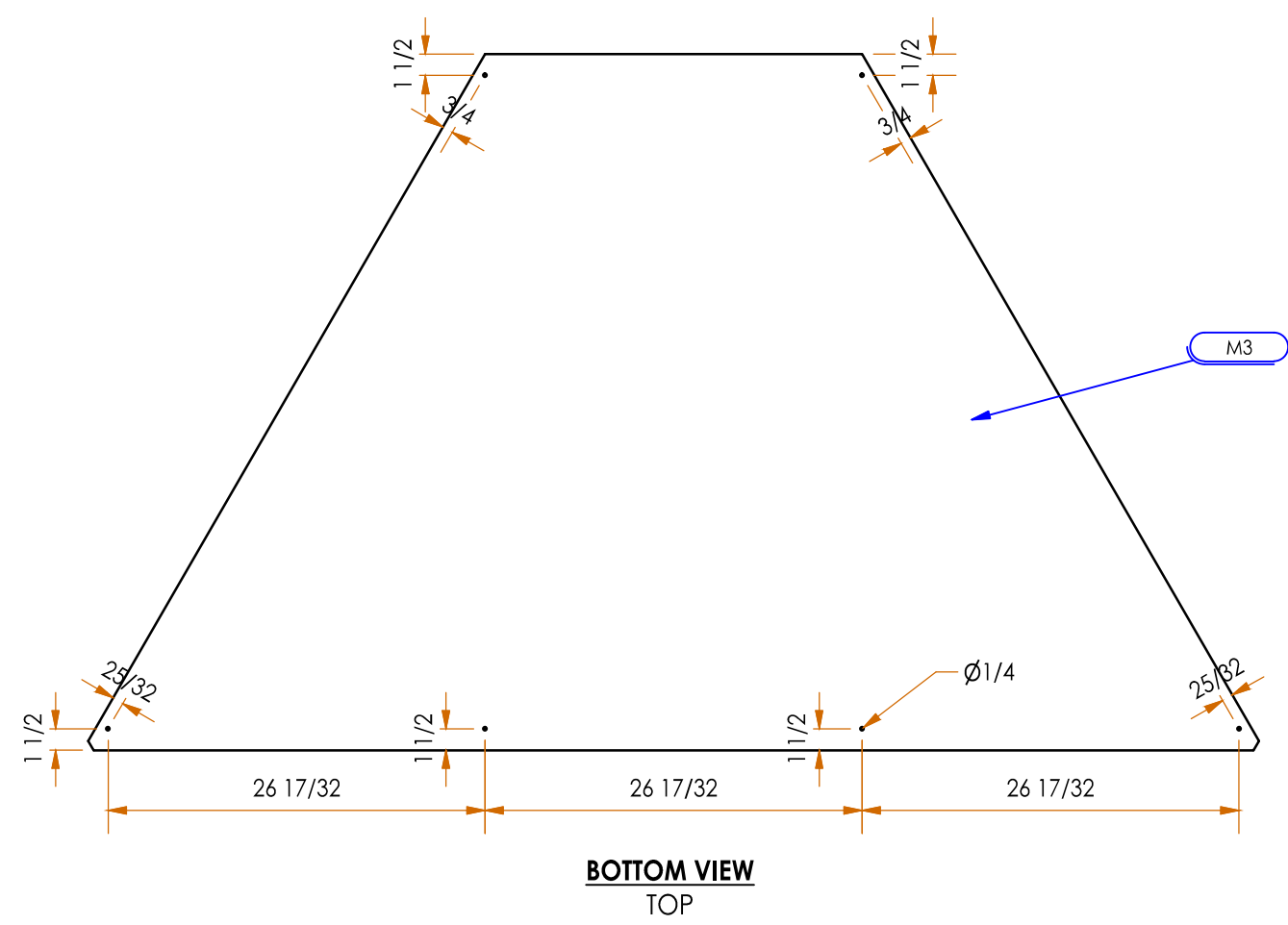
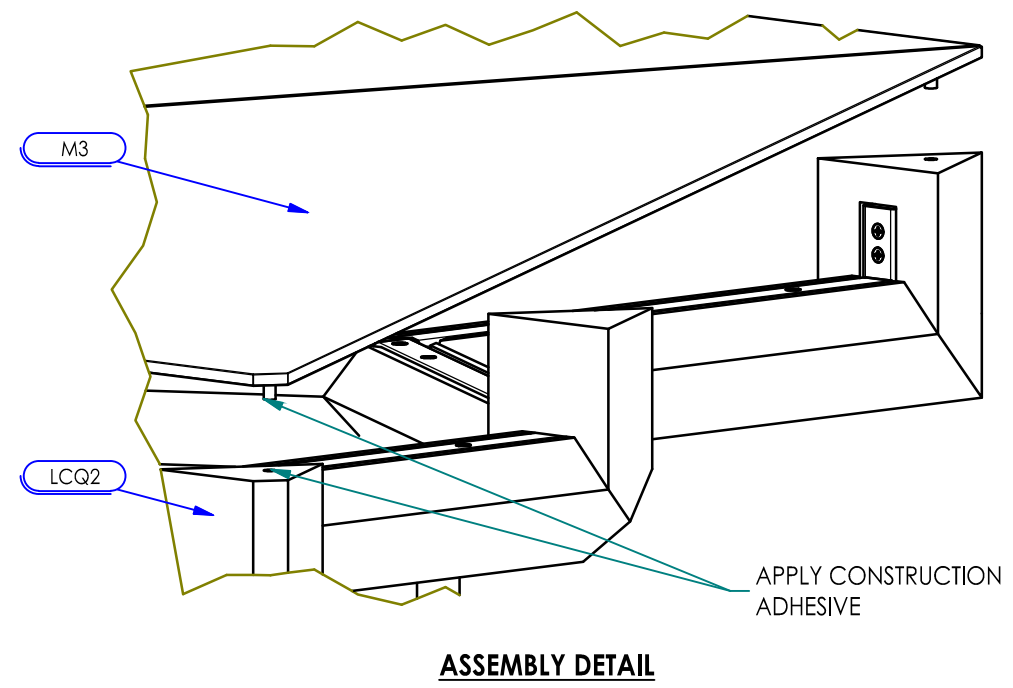
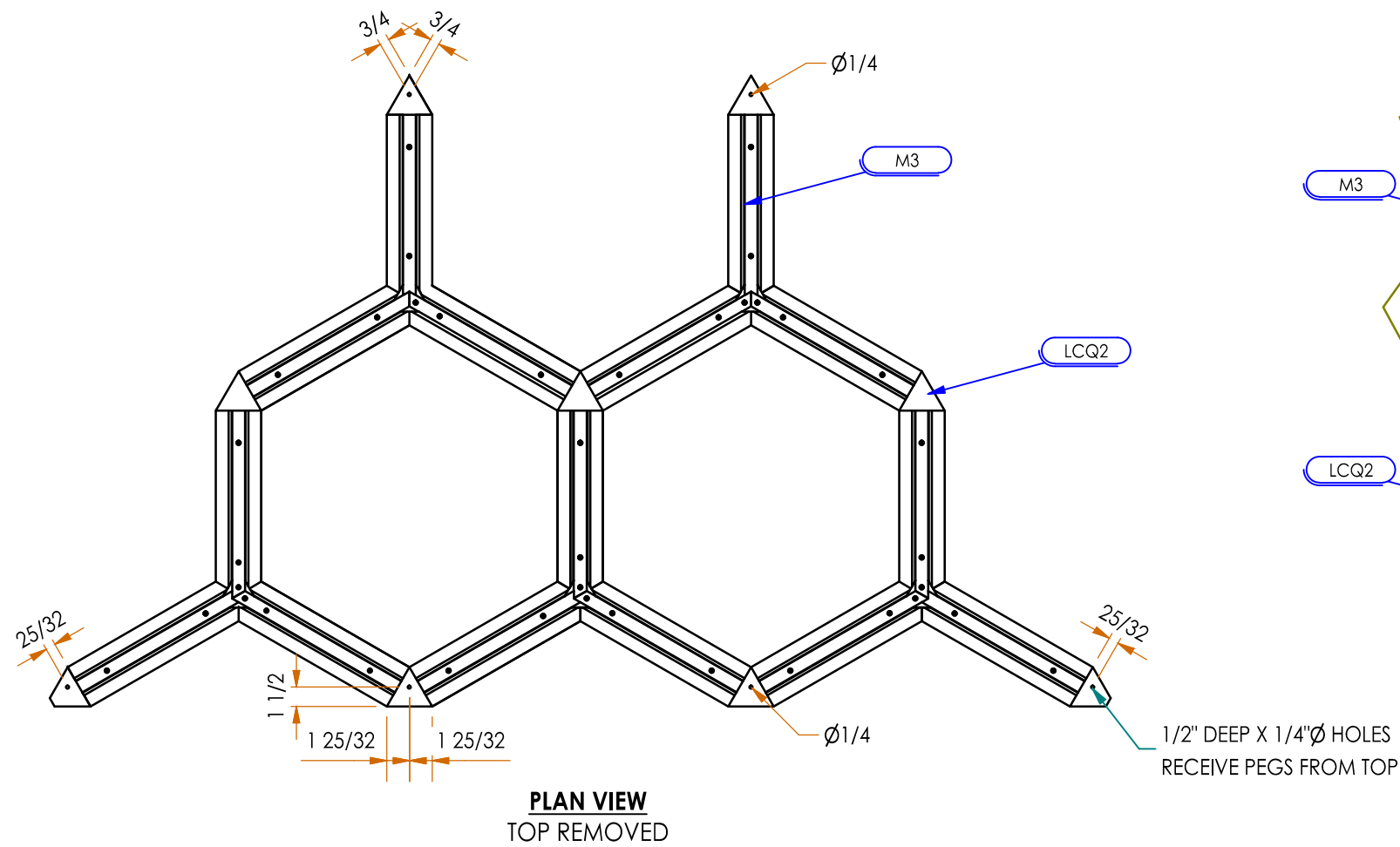
FRONT ELEVATION



SIDE ELEVATION

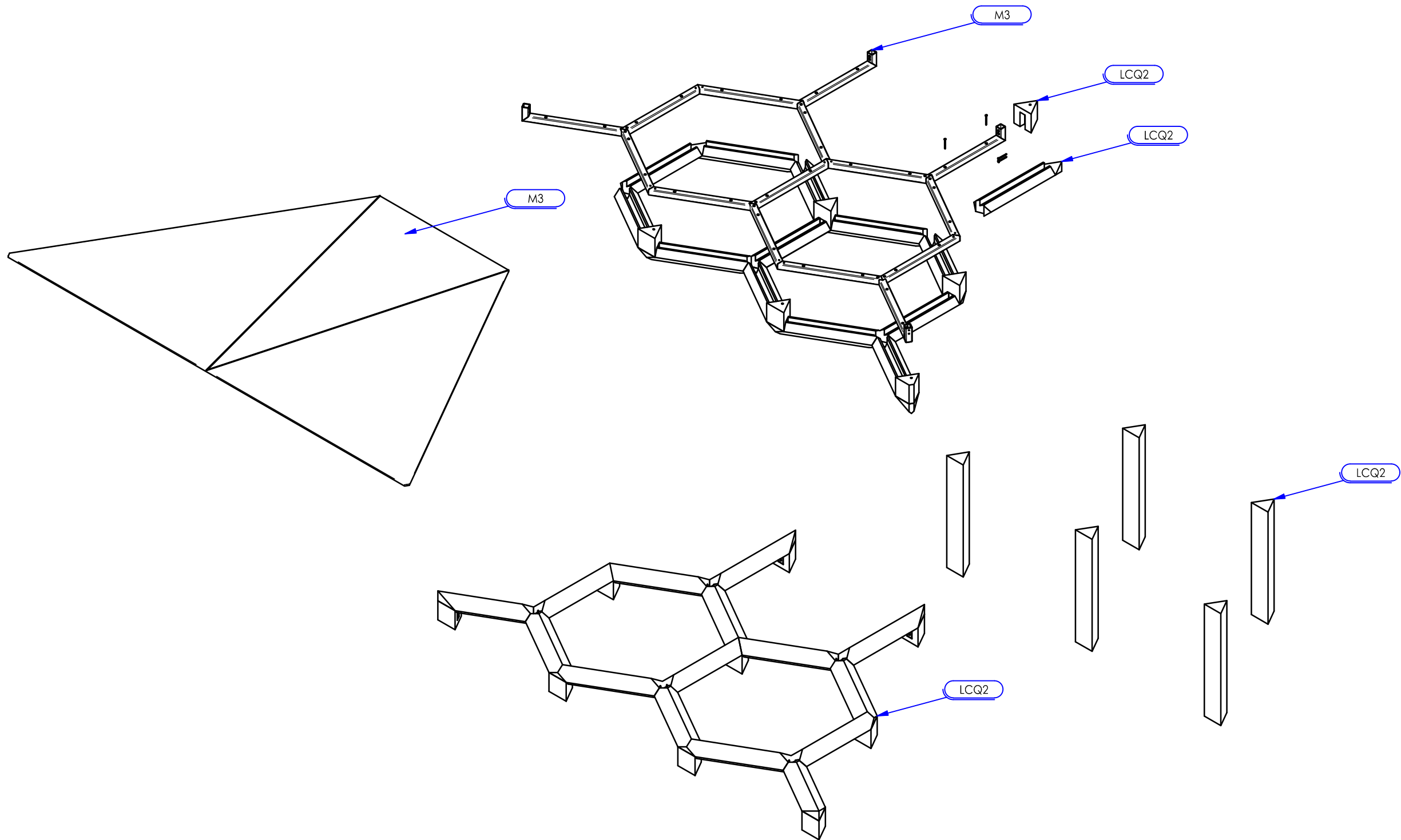
RETAIL





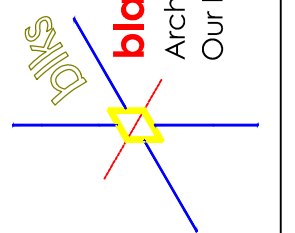
RETAIL

blacks outsourcing, inc.
 Architectural Woodwork Engineering
 Our business is drawing yours

EXPLODED ISOMETRIC

RETAIL



blks outsourcing, inc.
Architectural Woodwork Engineering
Our business is drawing yours