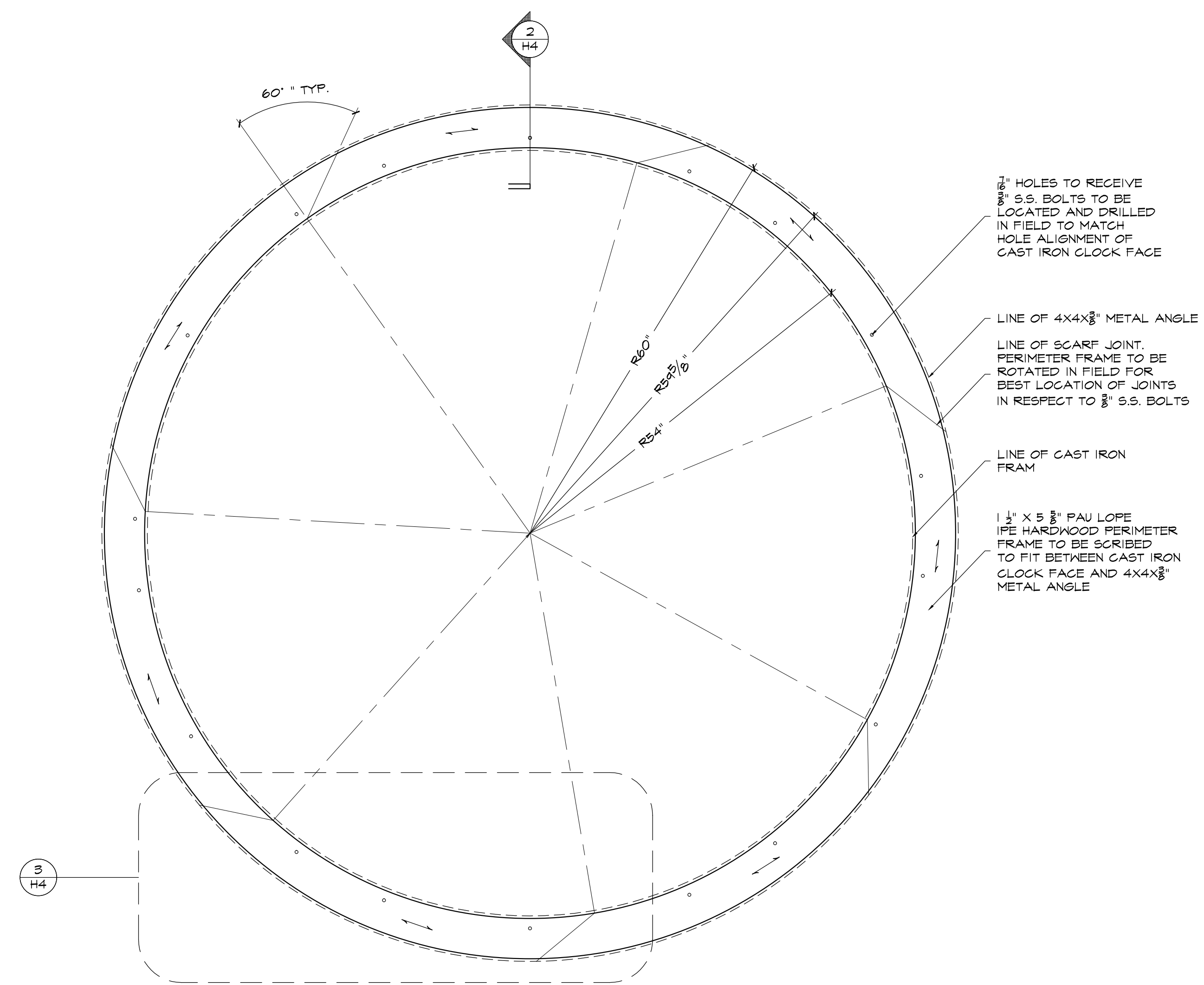


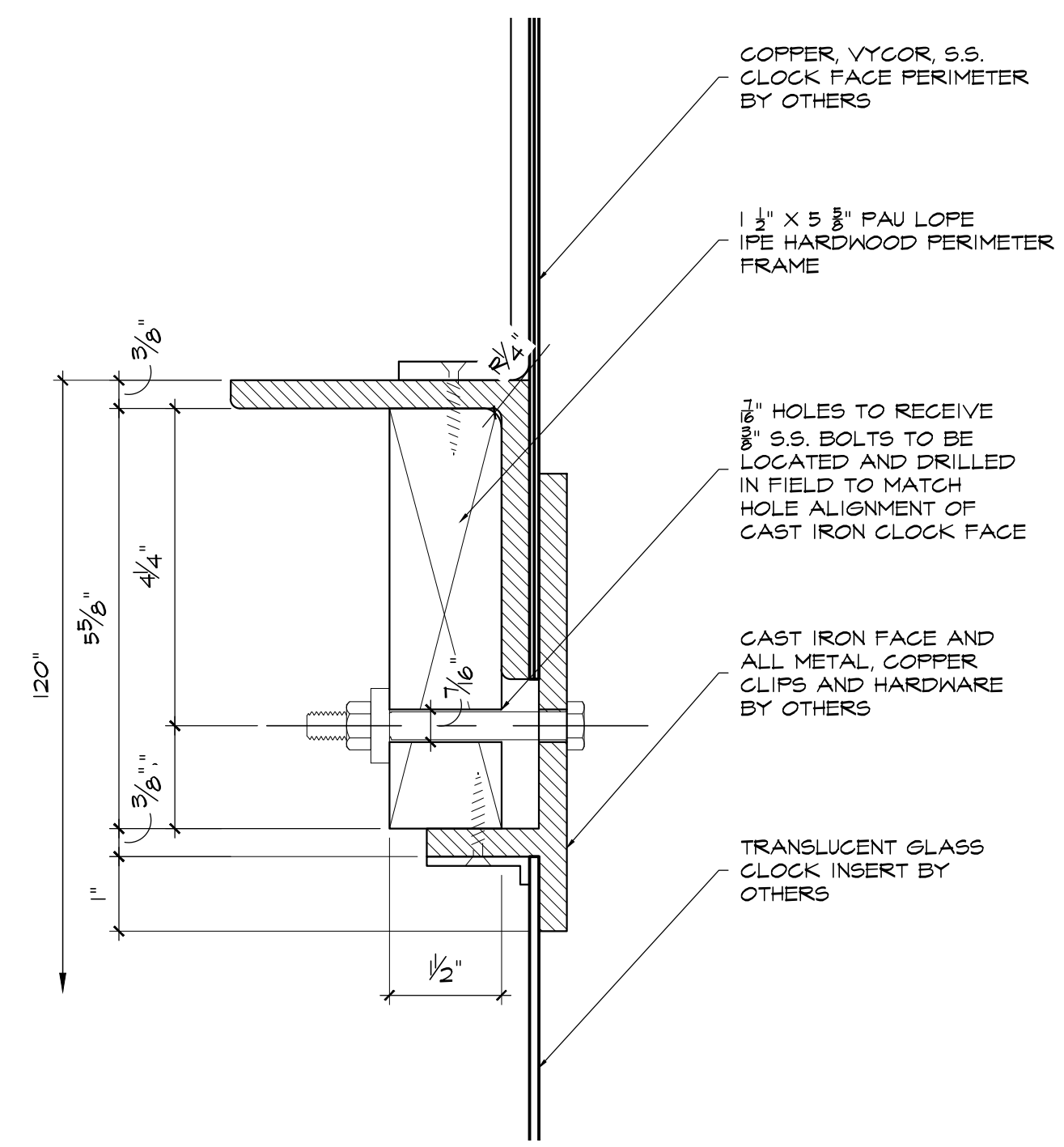
# HISTORICAL

**blacks outsourcing, inc.**  
Architectural Woodwork Engineering  
Our business is drawing yours

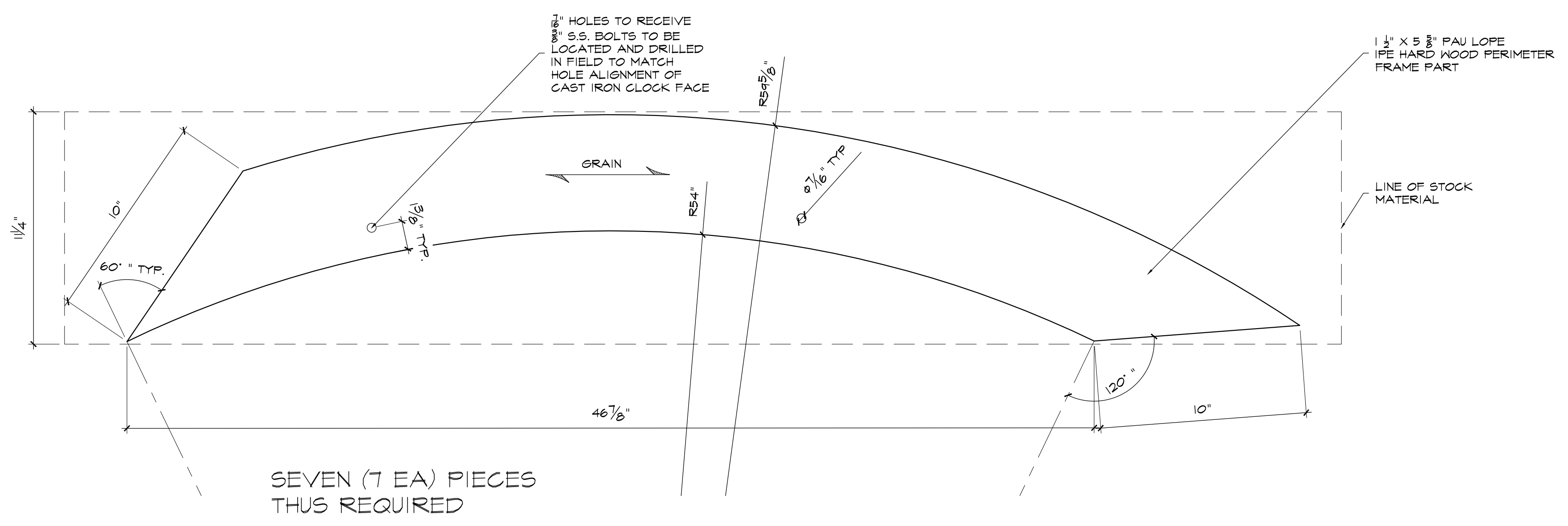
H3



1 PAU-LOPE WOOD FRAME ELEVATION:  
H4 SCALE: 1"=12" ARCH. REF.: 1/TS.0



2 SECTION / DETAIL:  
H4 SCALE: 6"=12" ARCH. REF.: 3/TS.0



3 PART DETAIL:  
H4 SCALE: 3"=12" ARCH. REF.: NONE

HISTORICAL

**blacks outsourcing, inc.**  
Architectural Woodwork Engineering  
Our business is drawing yours

H3