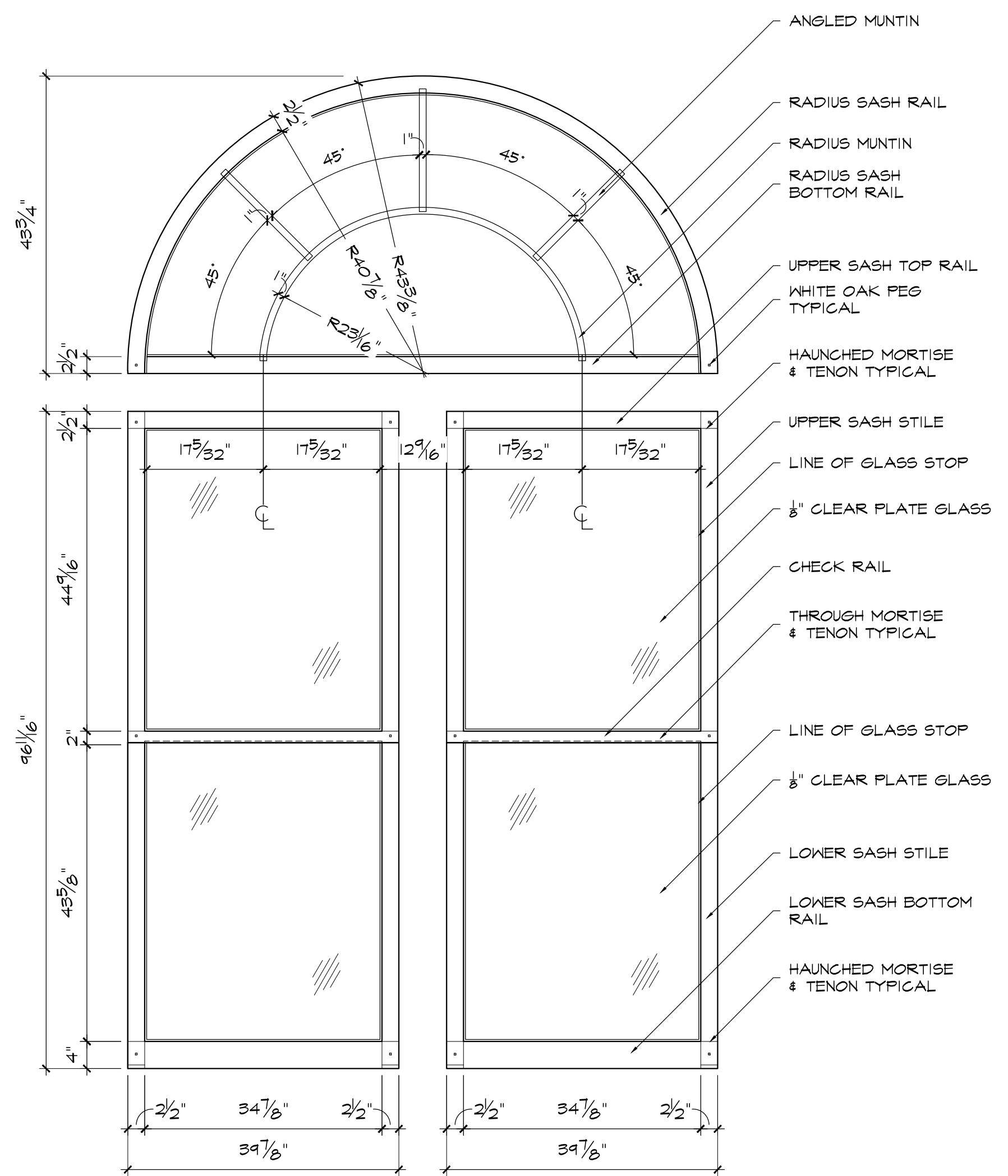
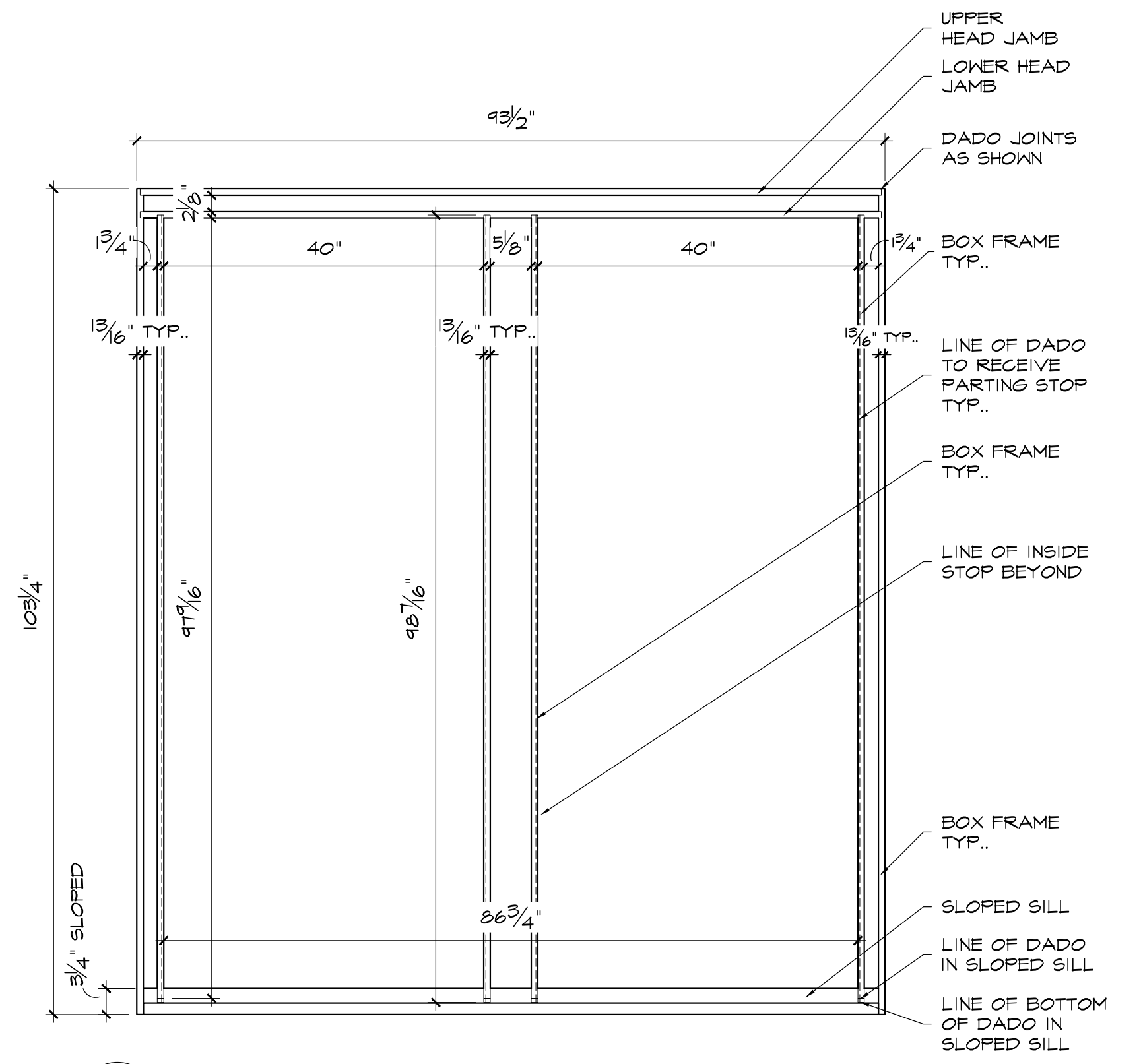
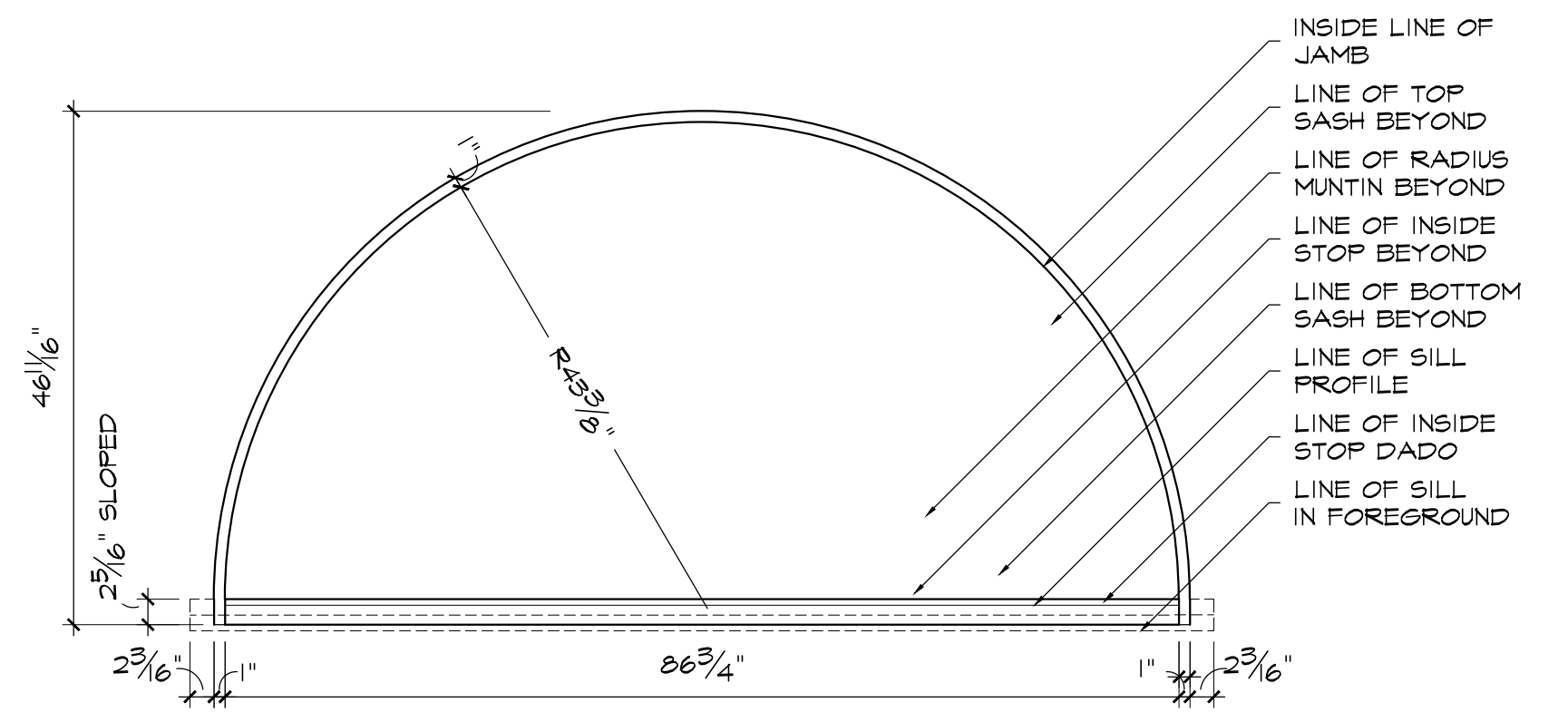


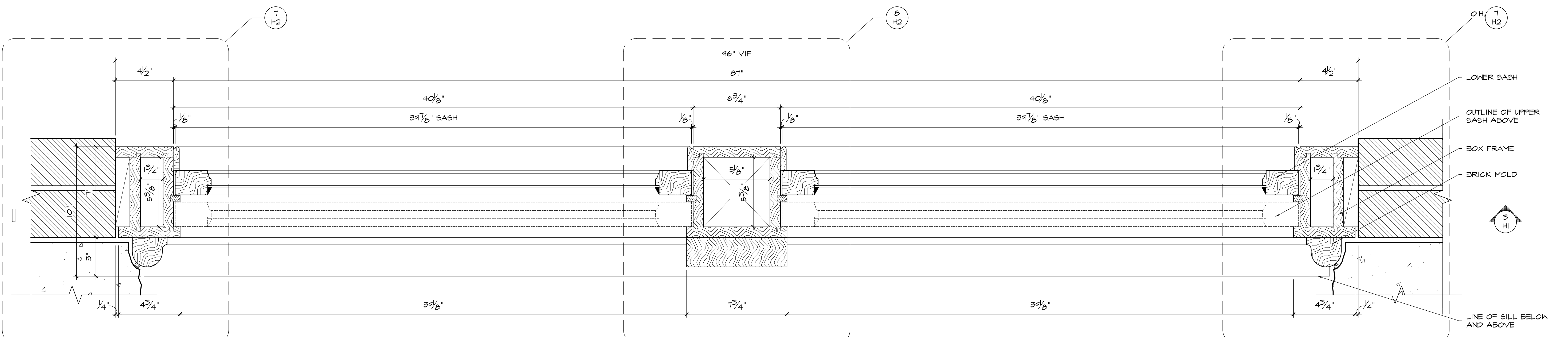
1 WINDOW ELEVATION:
H-1 SCALE: 3/4"=12" ARCH. REF.: 1/T4.0



2 SASH ELEVATION:
H-1 SCALE: 3/4"=12" ARCH. REF.: 1/T4.0



3 WINDOW JAMB LONGITUDINAL SECTION:
H-1 SCALE: 1"=12" ARCH. REF.: NONE

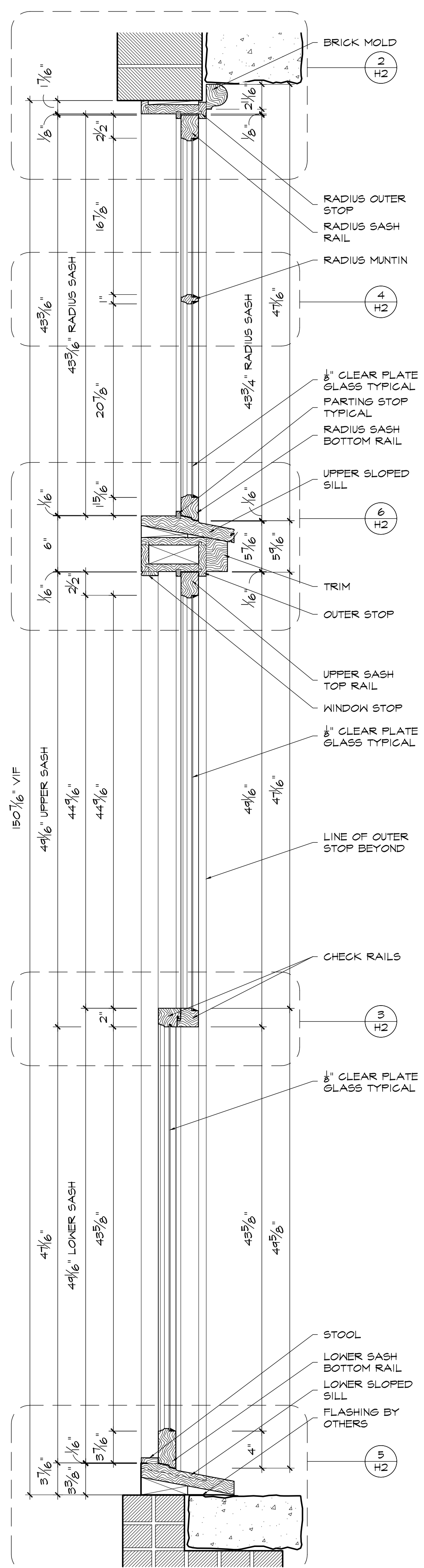


4 PLAN SECTION:
H-1 SCALE: 3"=12" ARCH. REF.: 2/T4.0

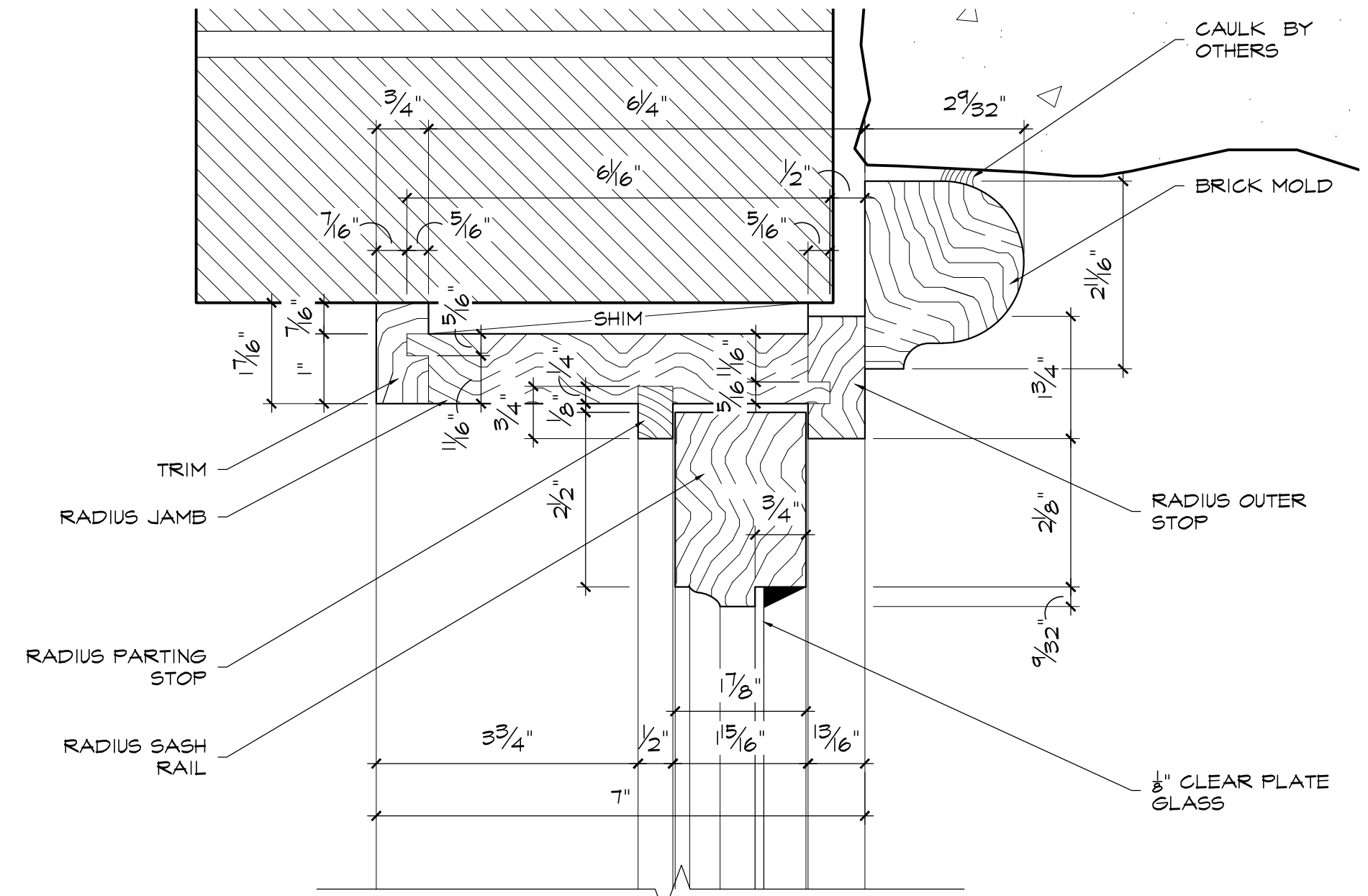
HISTORICAL

blacks outsourcing, inc.
Architectural Woodwork Engineering
Our business is drawing yours

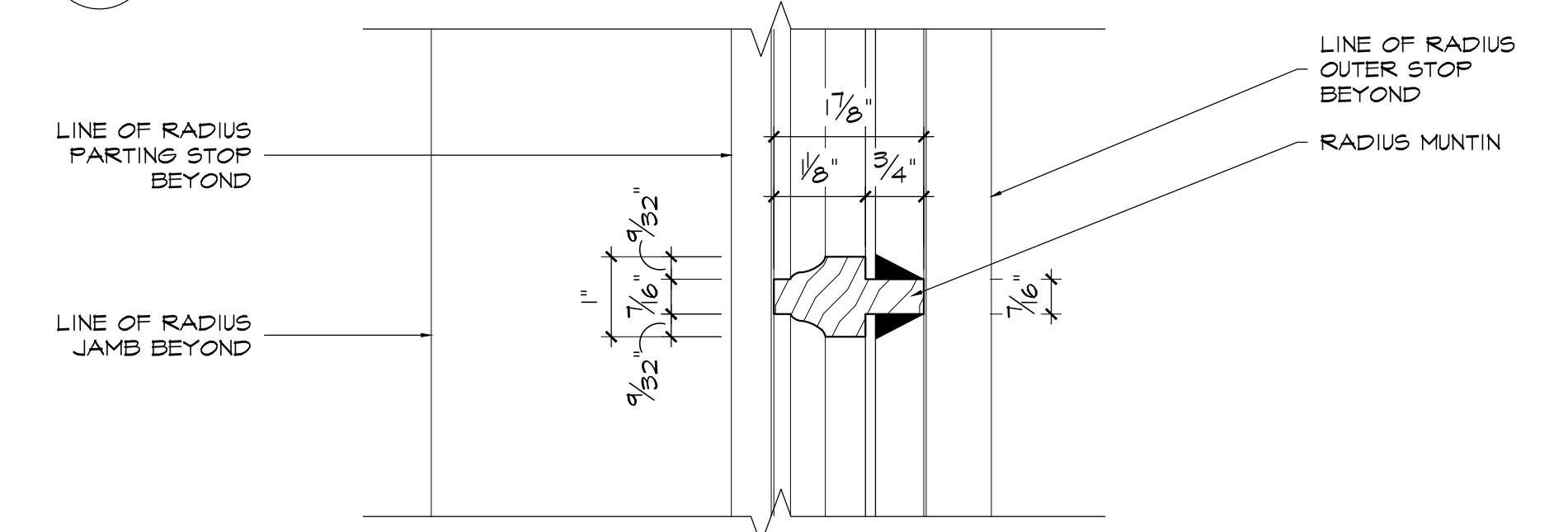
H3



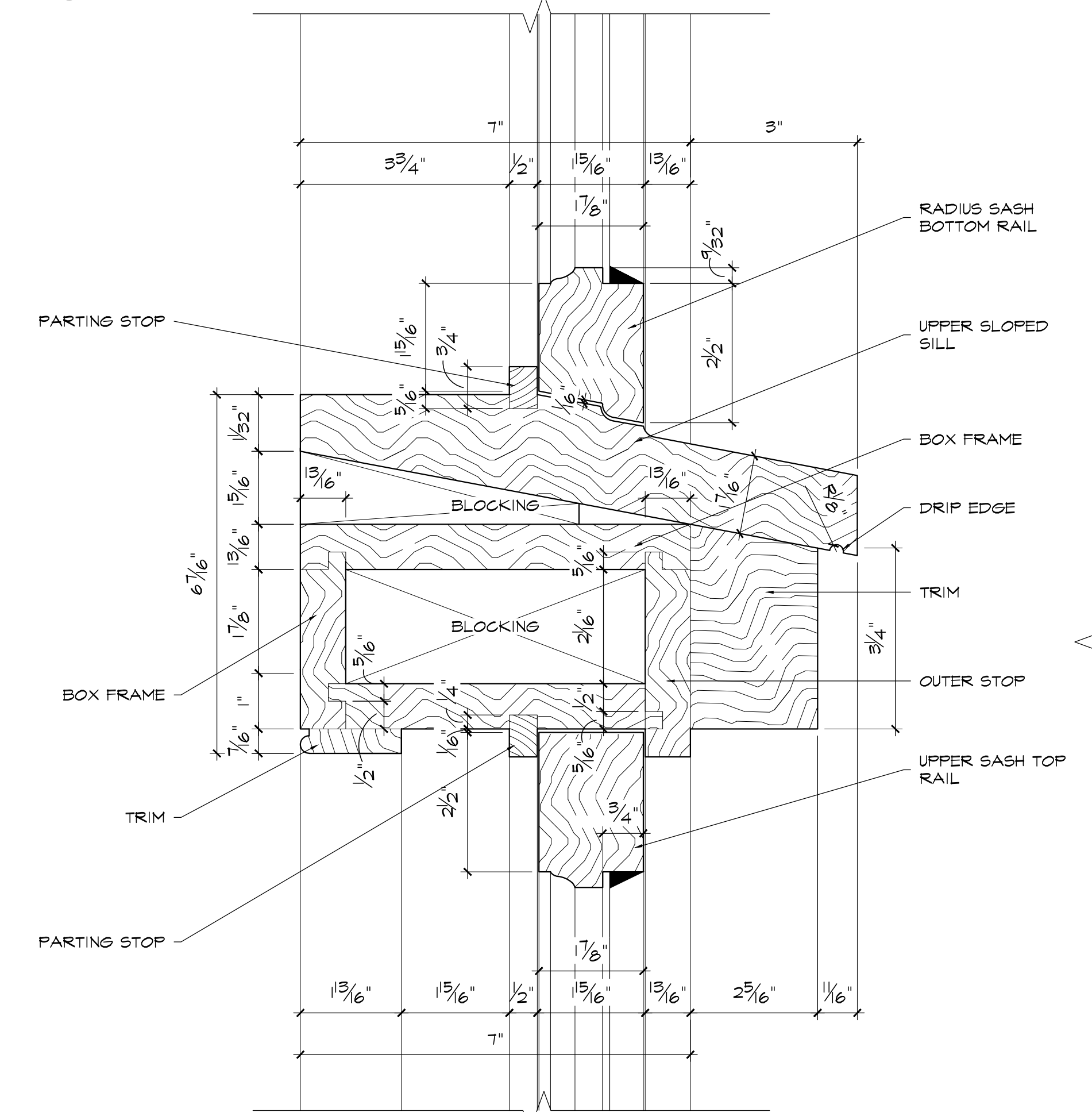
1 VERTICAL SECTION:
H2 SCALE: 1/2"=12" ARCH. REF.: 3/T4.0



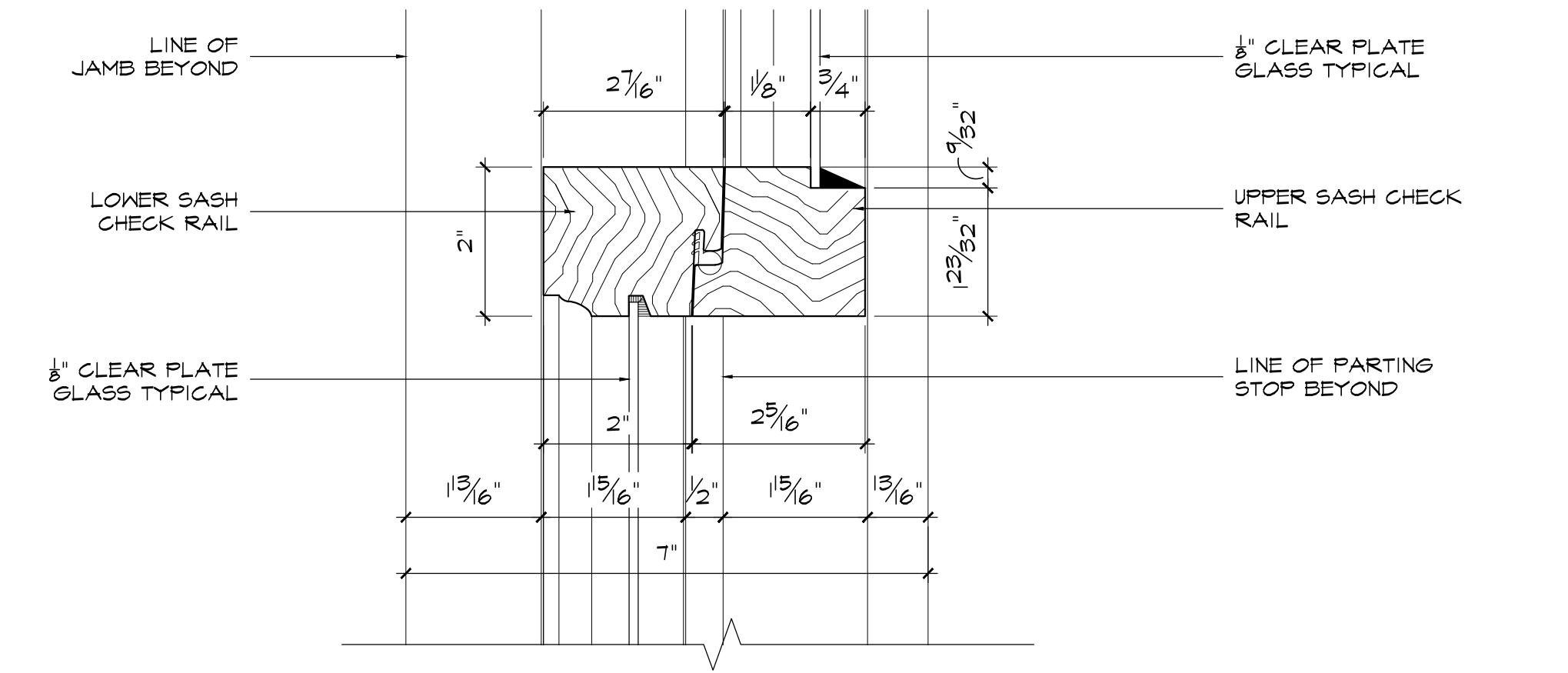
2 DETAIL:
H2 SCALE: 6"=12" ARCH. REF.: 3/T4.0



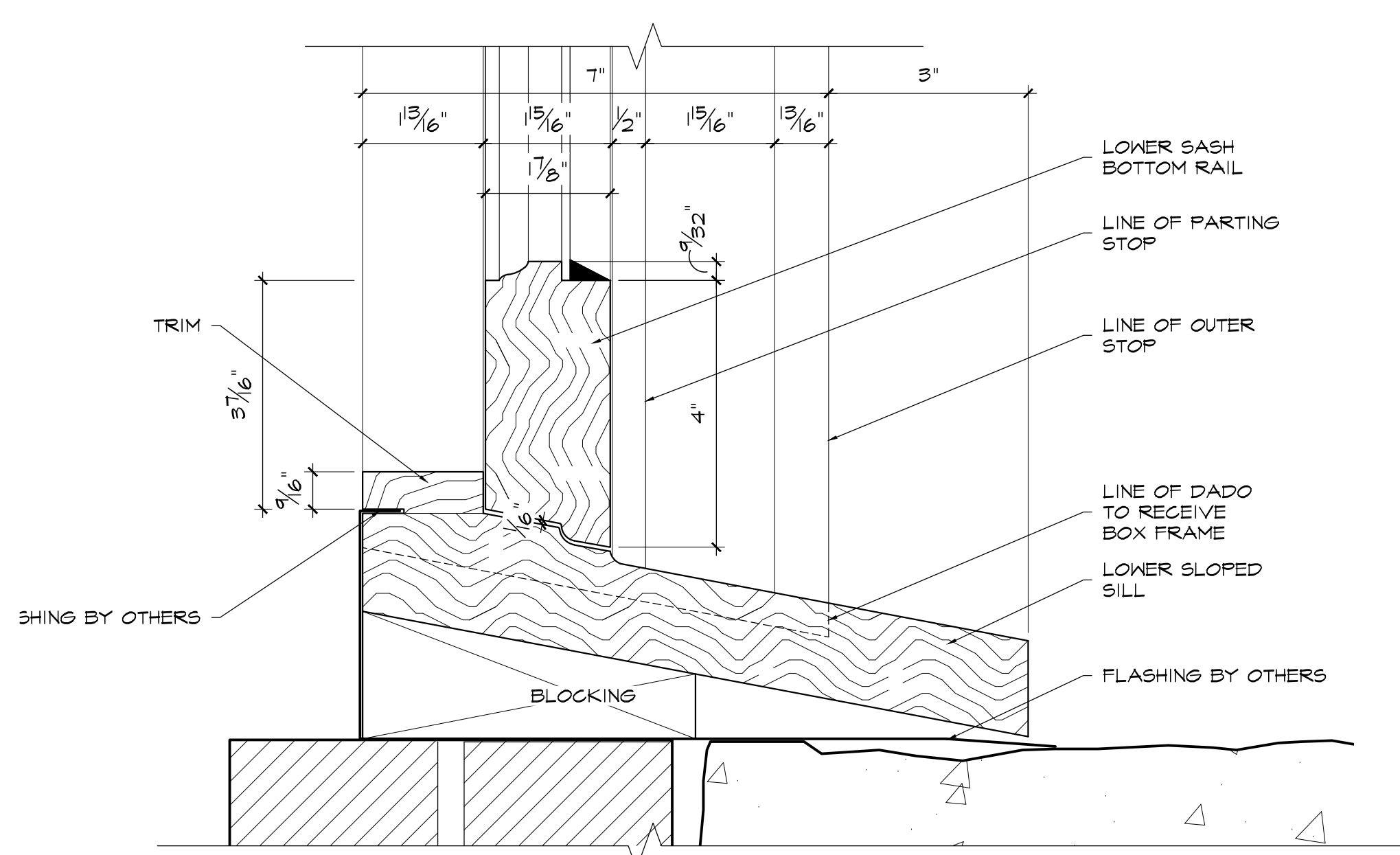
3 DETAIL:
H2 SCALE: 6"=12" ARCH. REF.: 3/T4.0



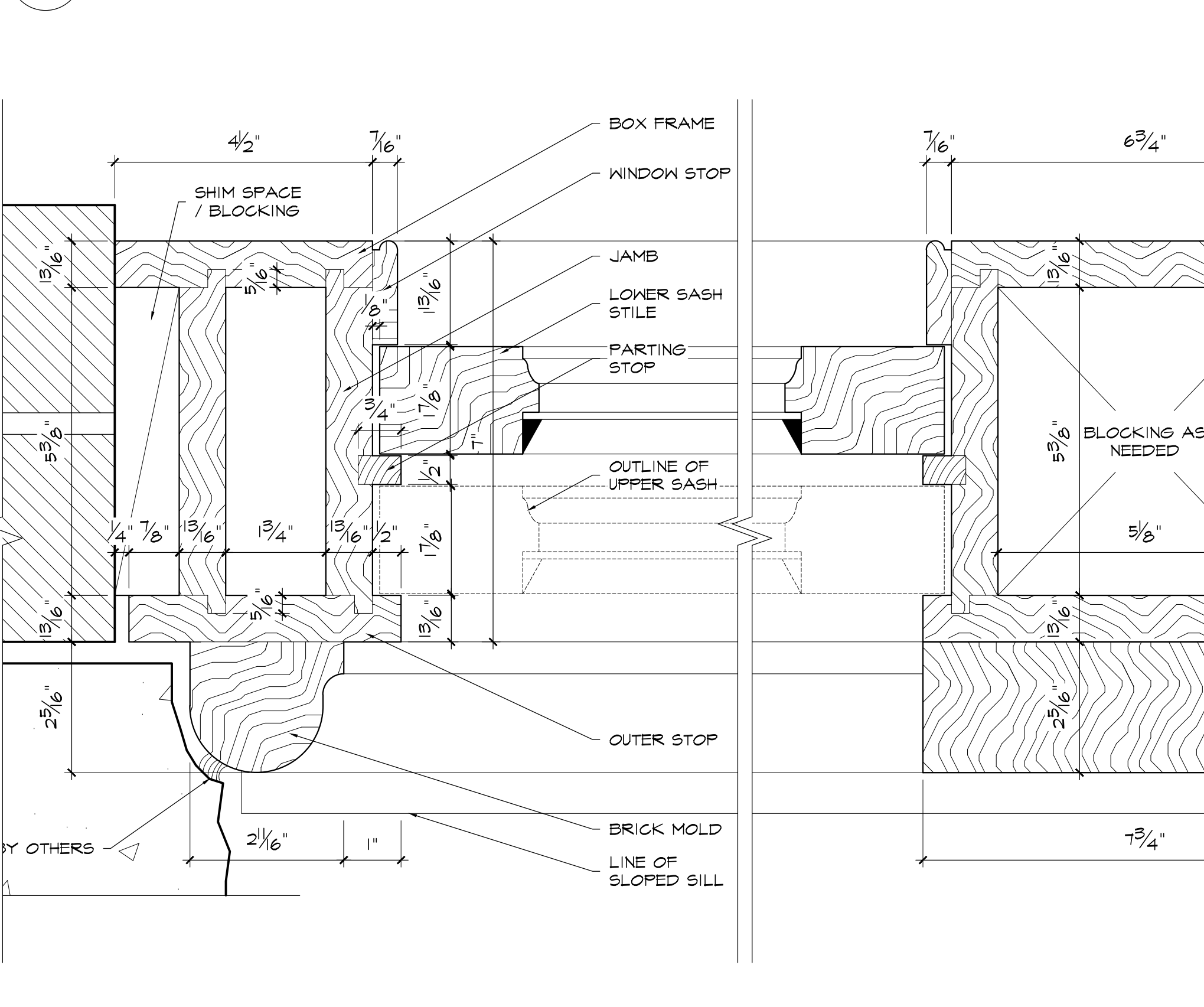
4 DETAIL:
H2 SCALE: 6"=12" ARCH. REF.: 3/T4.0



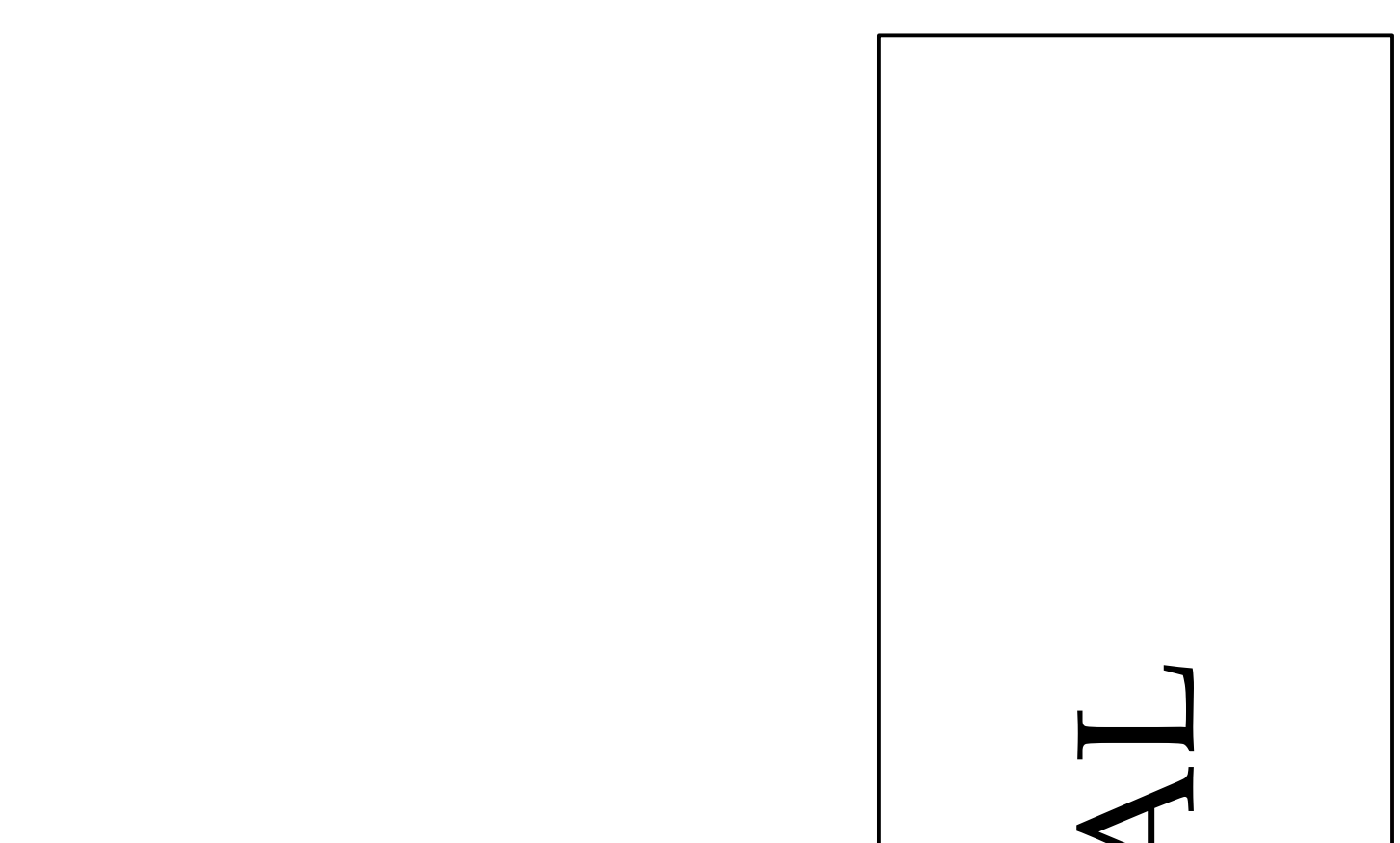
5 DETAIL:
H2 SCALE: 6"=12" ARCH. REF.: 3/T4.0



6 DETAIL:
H2 SCALE: 6"=12" ARCH. REF.: 3/T4.0



7 DETAIL:
H2 SCALE: 6"=12" ARCH. REF.: 2/T4.0



8 DETAIL:
H2 SCALE: 6"=12" ARCH. REF.: 2/T4.0

HISTORICAL

blacks outsourcing, inc.
Architectural Woodwork Engineering
Our business is drawing yours

H3