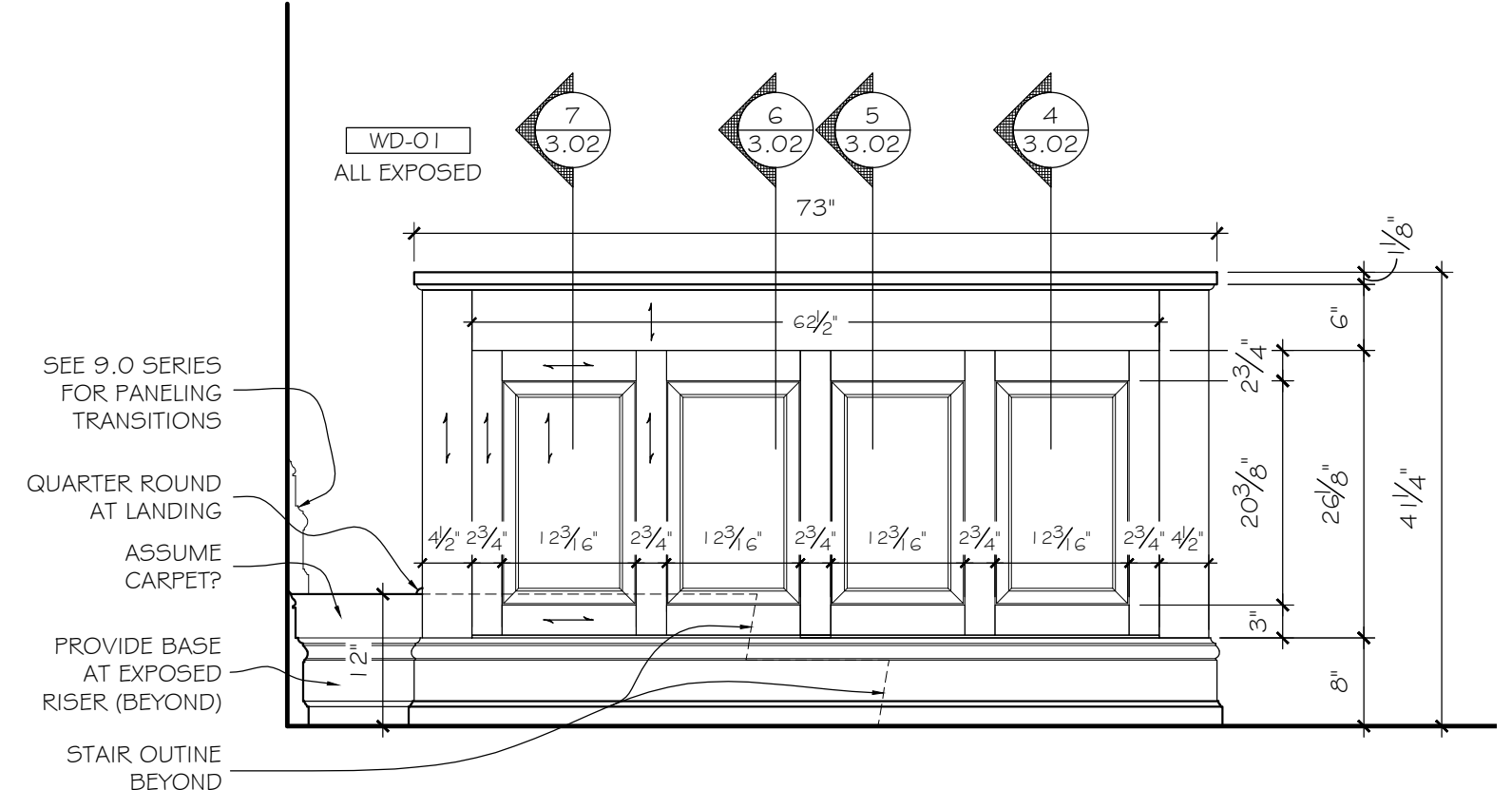


1 ENLARGED PLAN
3.00 SCALE: 1/2" = 12" ARCH. REF.: 1/A5.1.2

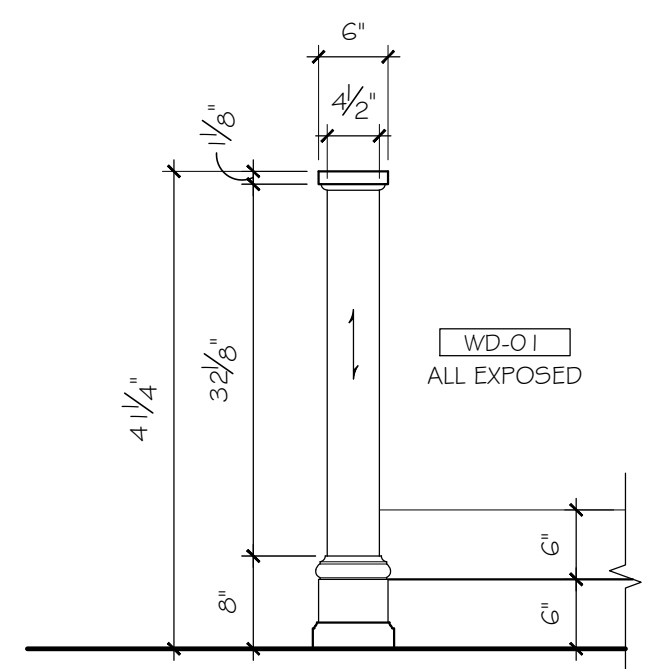
INSTITUTIONAL

blacks outsourcing, inc.
Architectural Woodwork Engineering
Our business is drawing yours

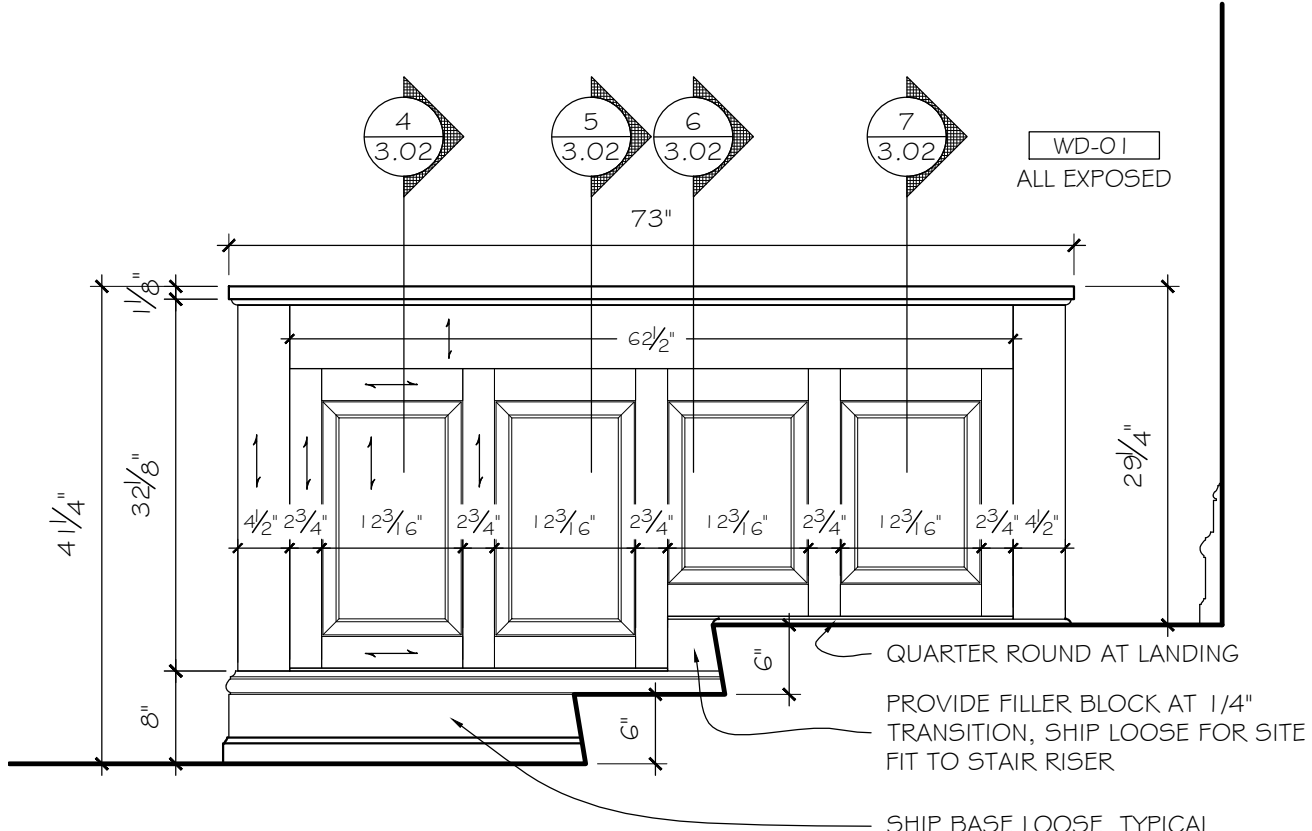
3.00



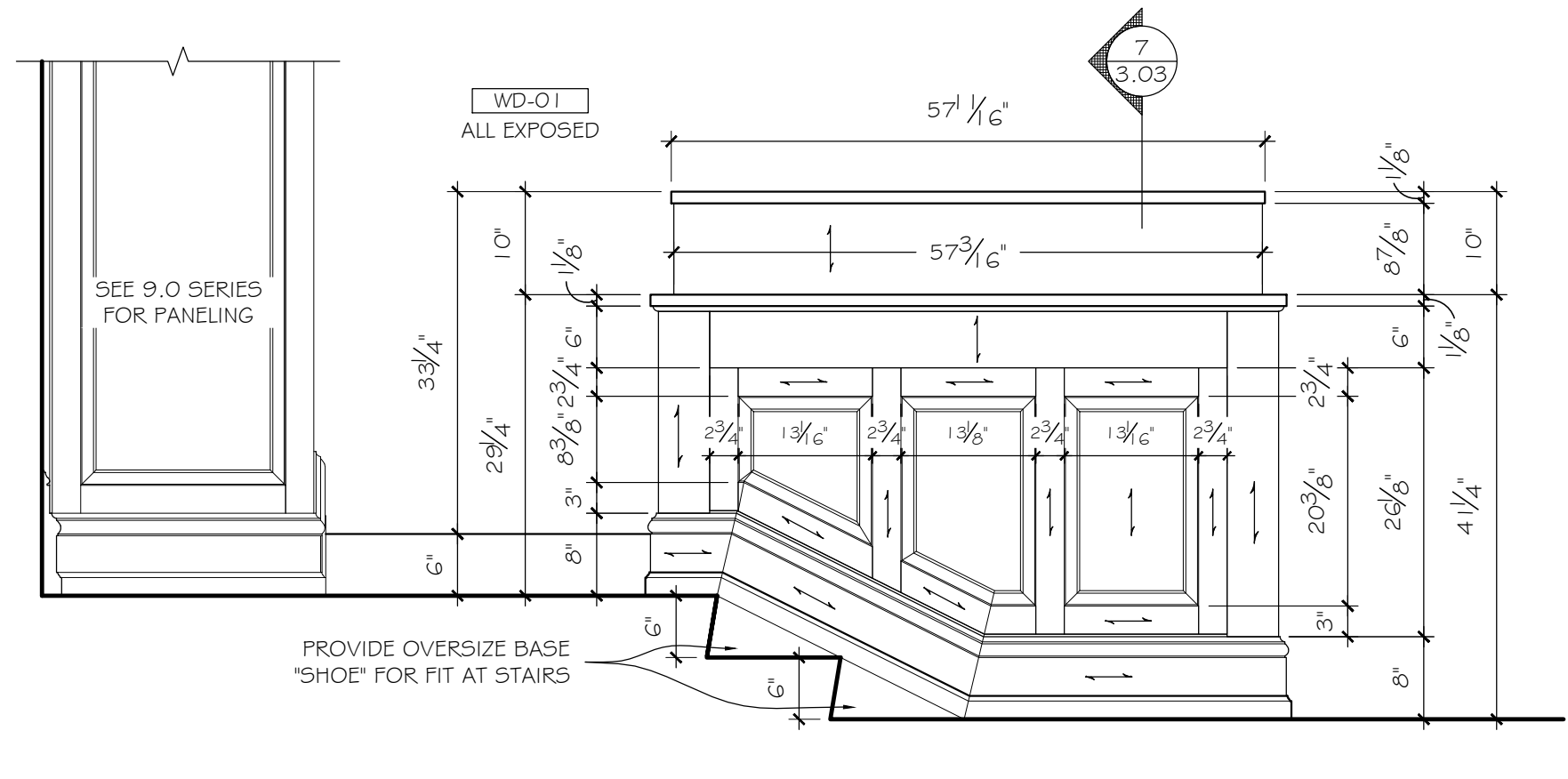
1 PARTITION
3.01 SCALE: 3/4" = 12" ARCH. REF.: 5/A5.0.3



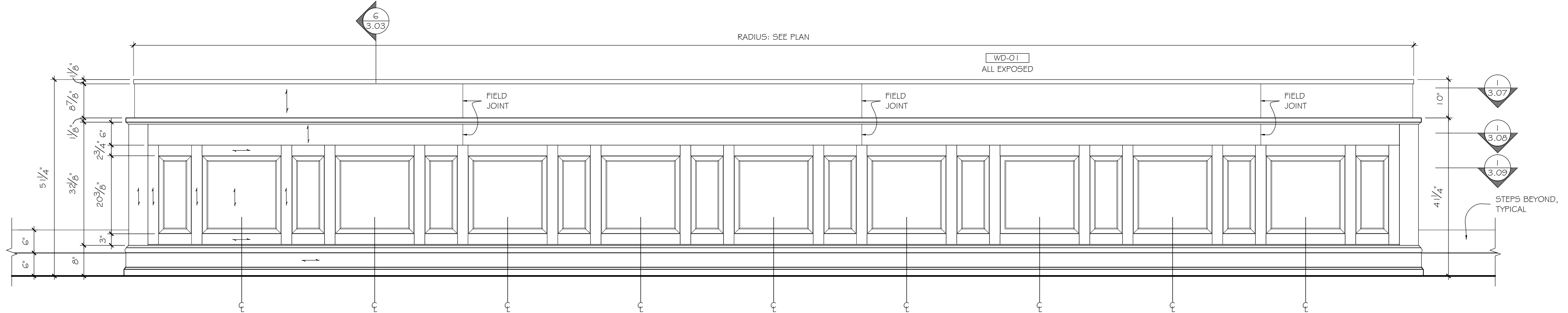
2 ELEVATION: PARTITION
3.01 SCALE: 3/4" = 12" ARCH. REF.: 2/A5.0.3



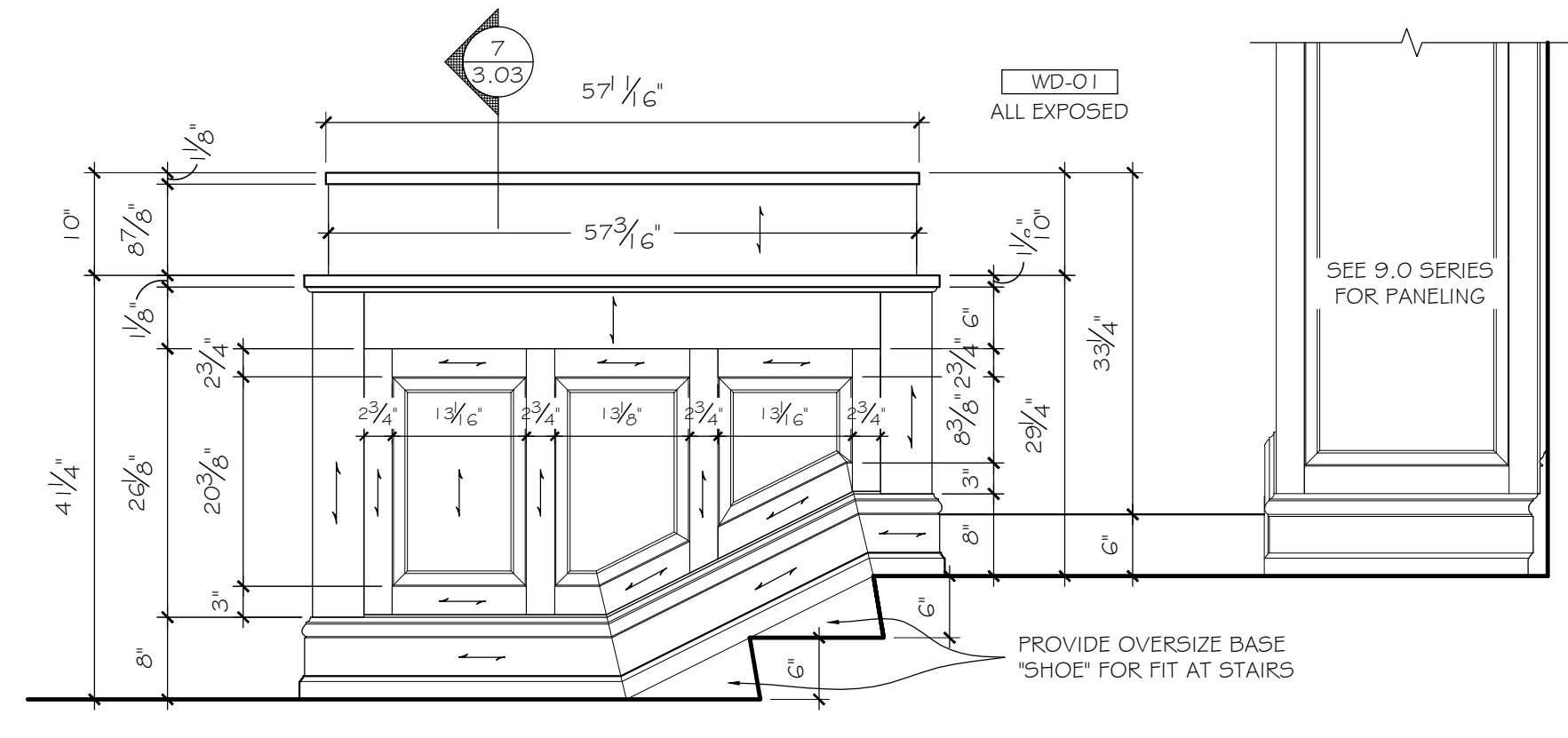
3 ELEVATION: PARTITION
3.01 SCALE: 3/4" = 12" ARCH. REF.: 4/A5.0.3



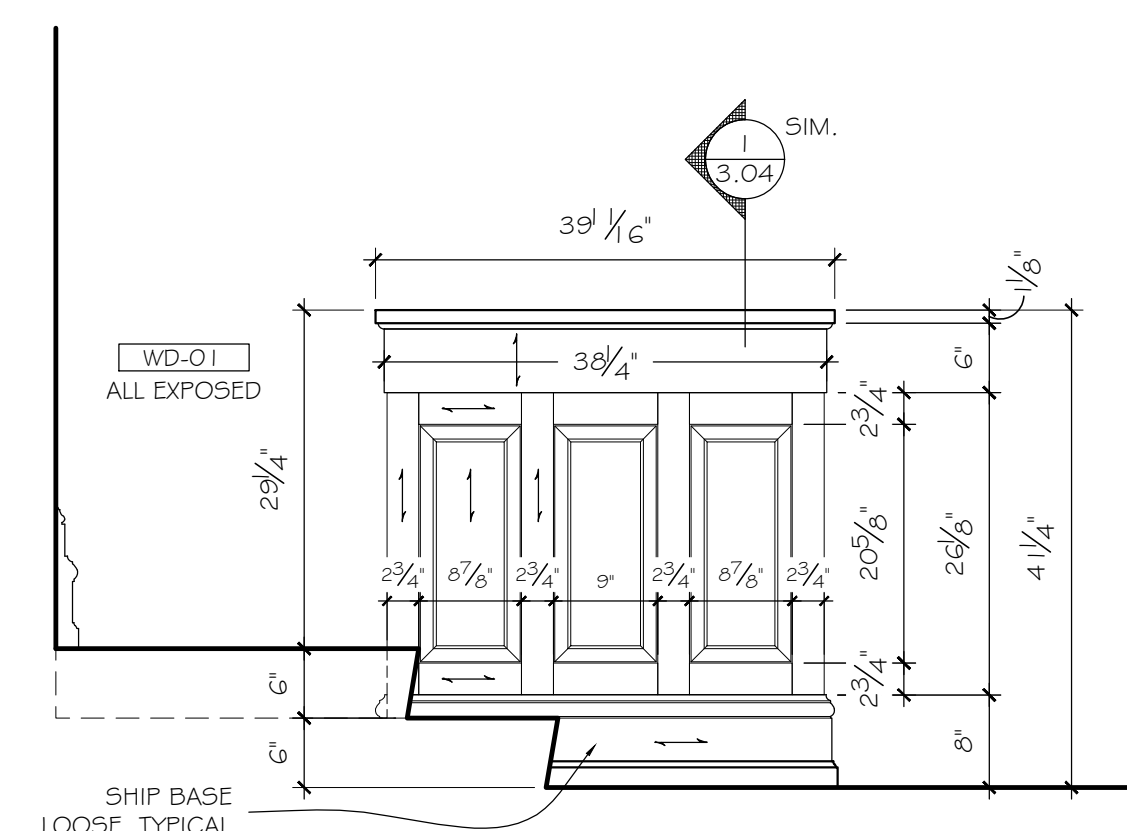
4 ELEVATION: JUSTICES BENCH
3.01 SCALE: 3/4" = 12" ARCH. REF.: 3/A5.0.3



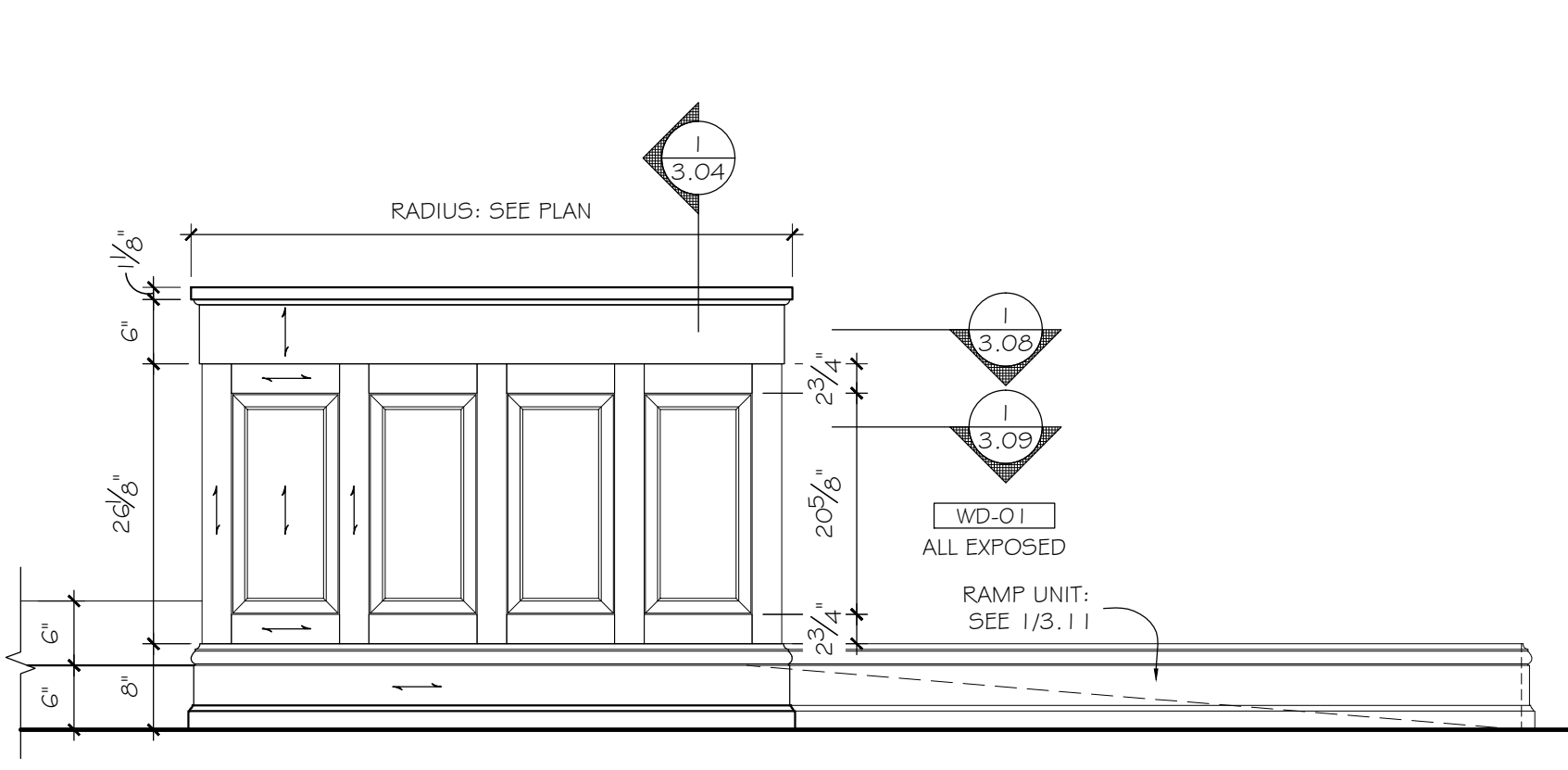
5 ELEVATION: JUSTICES BENCH
3.01 SCALE: 3/4" = 12" ARCH. REF.: 2/A5.0.3



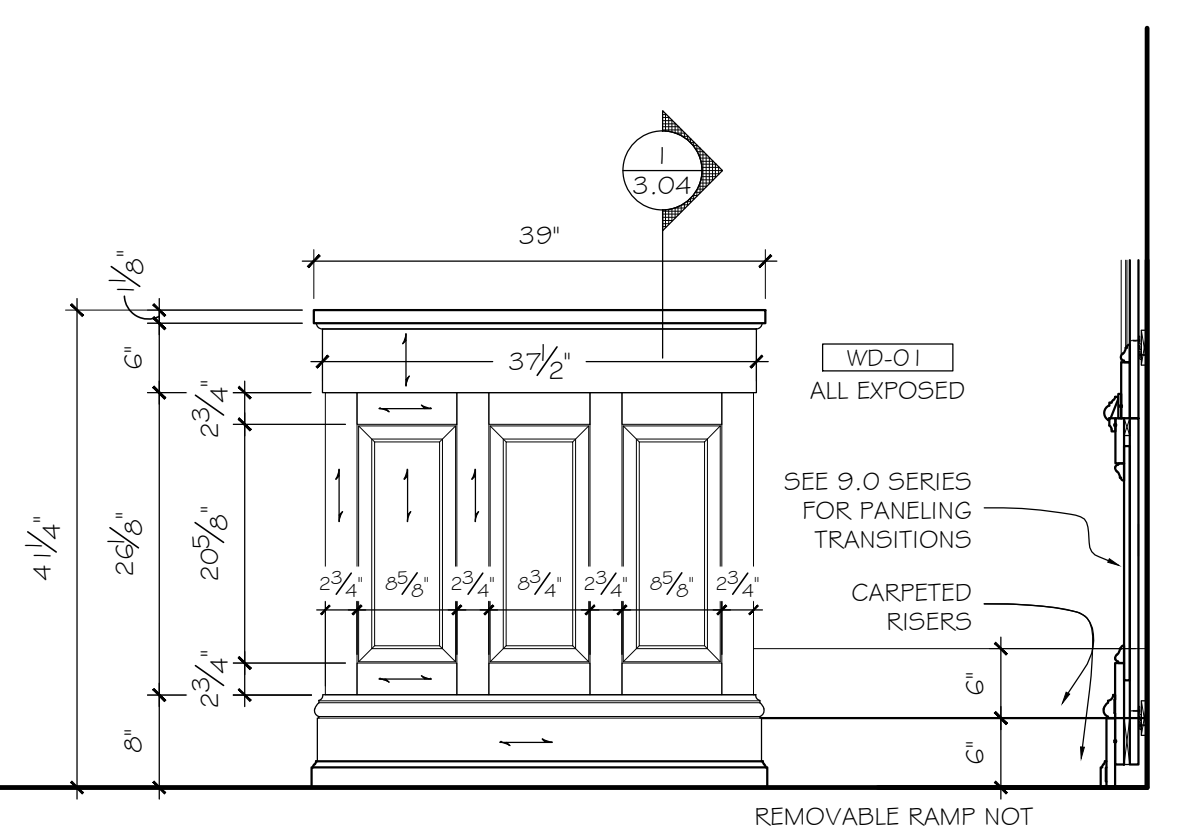
6 ELEVATION: JUSTICES BENCH
3.01 SCALE: 3/4" = 12" ARCH. REF.: 3/A5.0.3



7 ELEVATION: CLERKS BENCH
3.01 SCALE: 3/4" = 12" ARCH. REF.: 6/A5.0.3

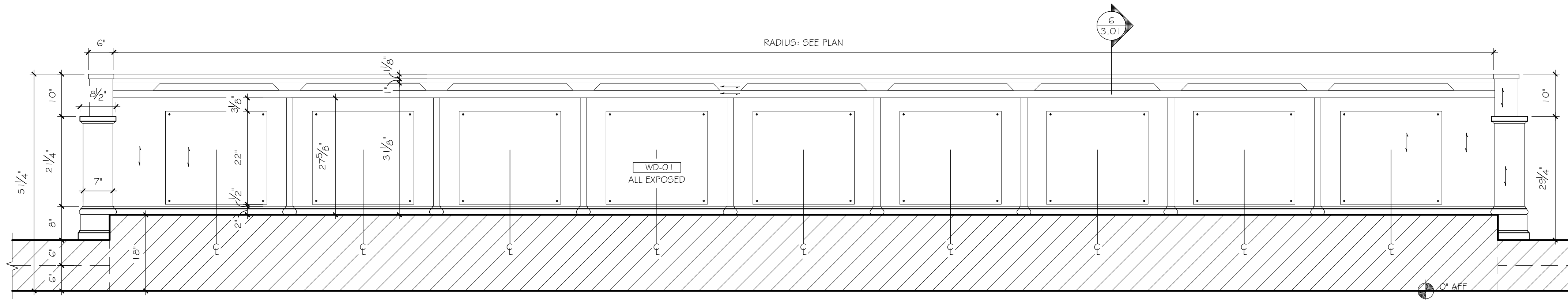


8 ELEVATION: CLERKS BENCH
3.01 SCALE: 3/4" = 12" ARCH. REF.: 2/A5.0.3

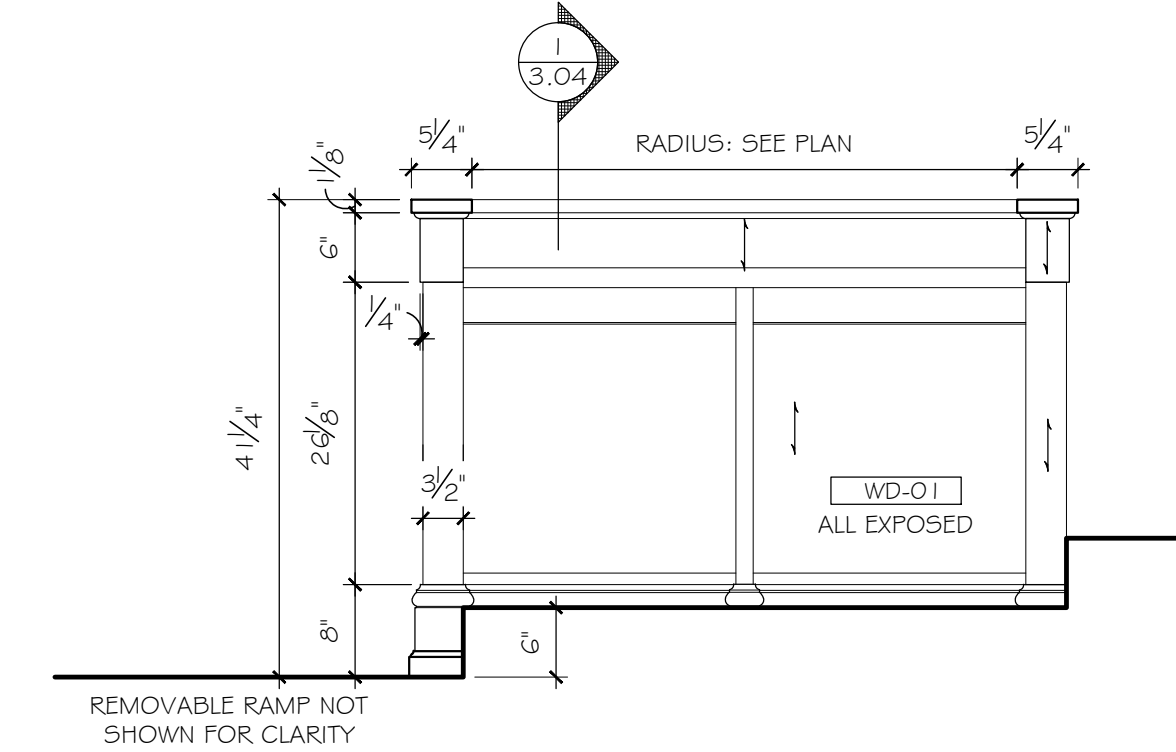


9 ELEVATION: CLERKS BENCH
3.01 SCALE: 3/4" = 12" ARCH. REF.: 9/A5.0.3

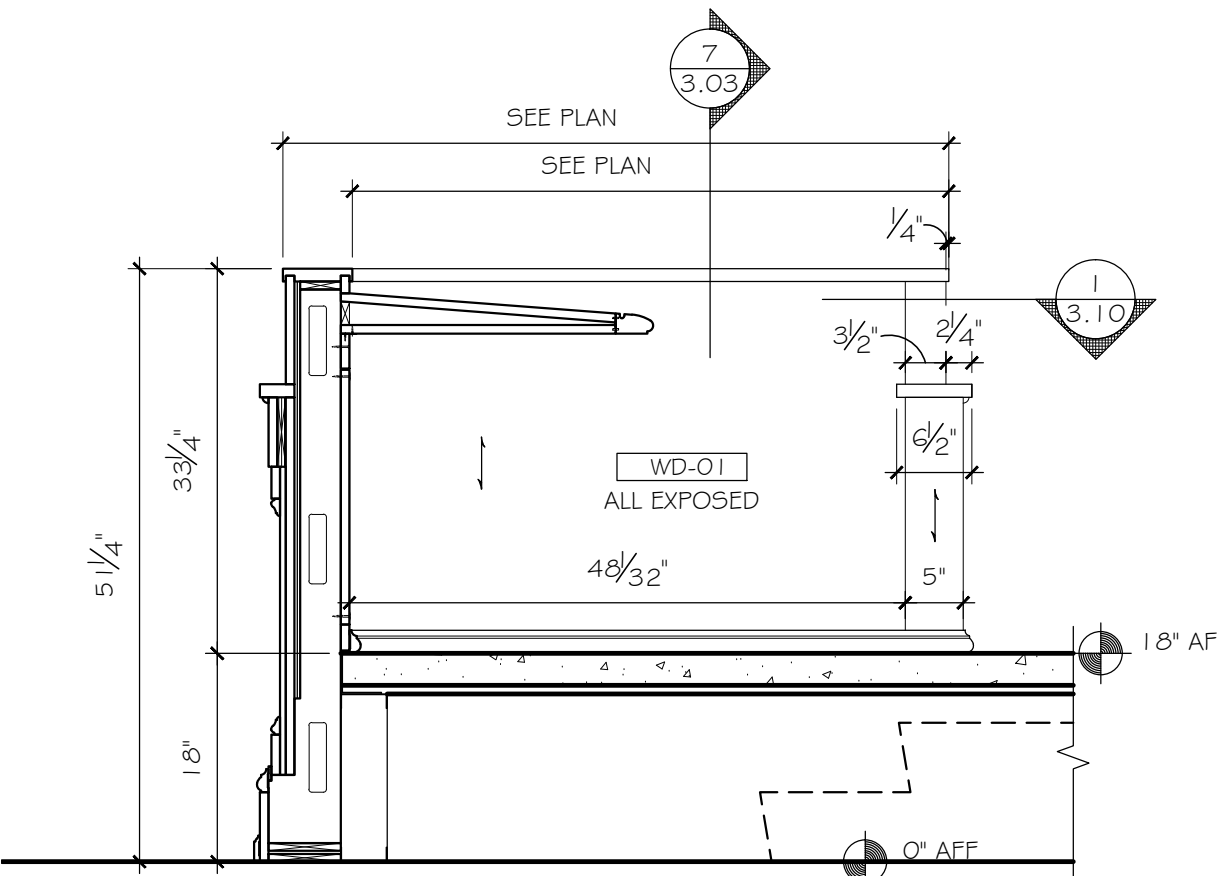
blacks outsourcing, inc.
Architectural Woodwork Engineering
Our business is drawing yours



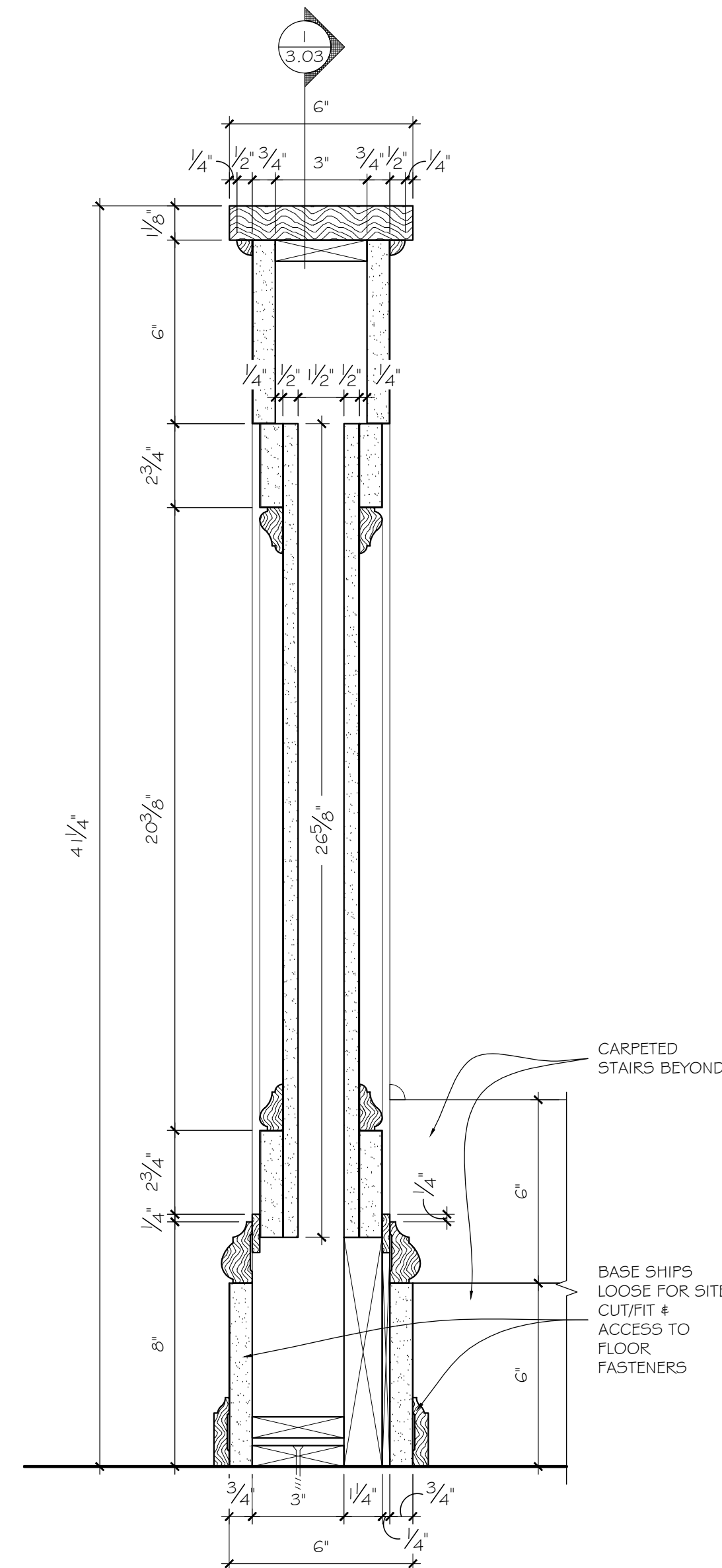
1 ELEVATION: JUSTICES BENCH
3.02 SCALE: 3/4" = 12" ARCH. REF.: 7/A5.0.3



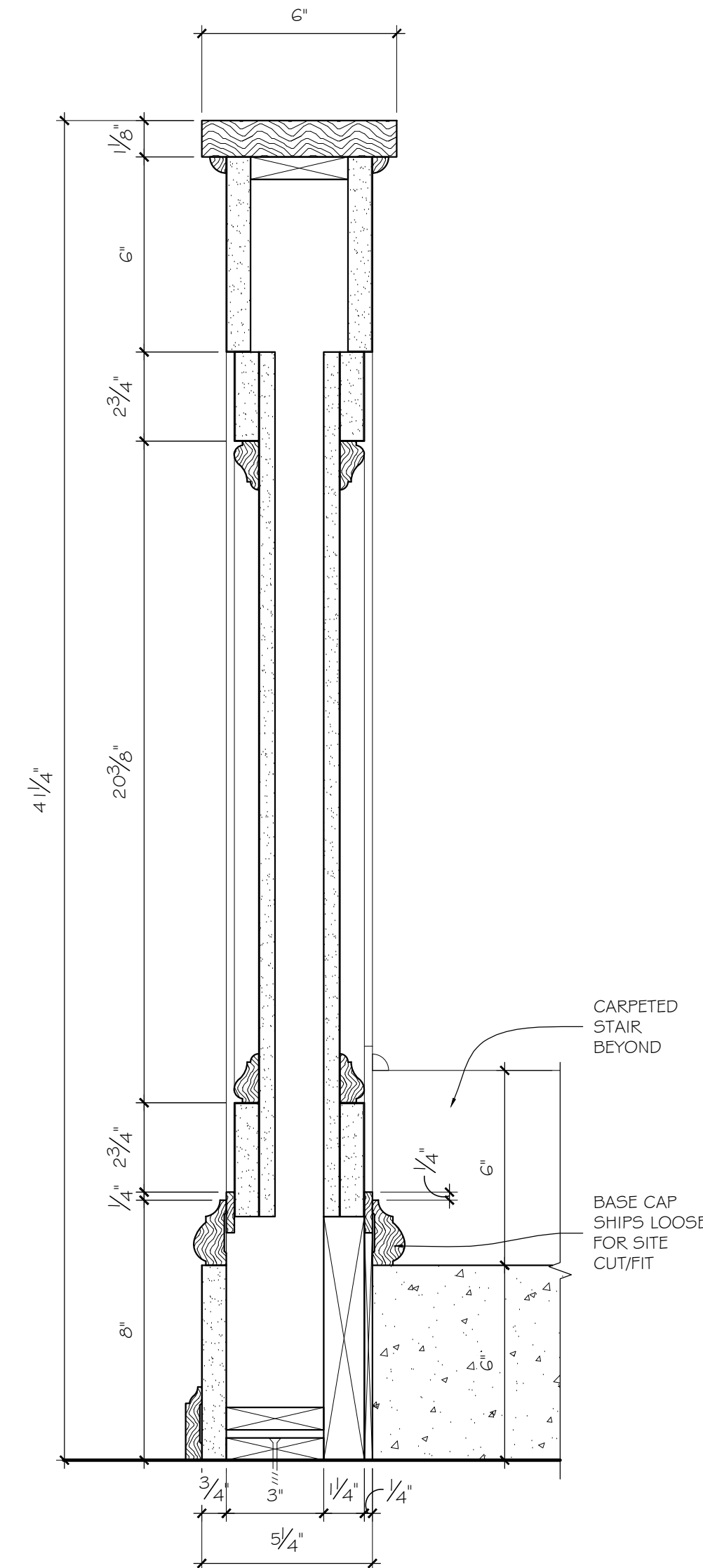
2 ELEVATION: CLERKS BENCH
3.02 SCALE: 3/4" = 12" ARCH. REF.: 8/A5.0.3



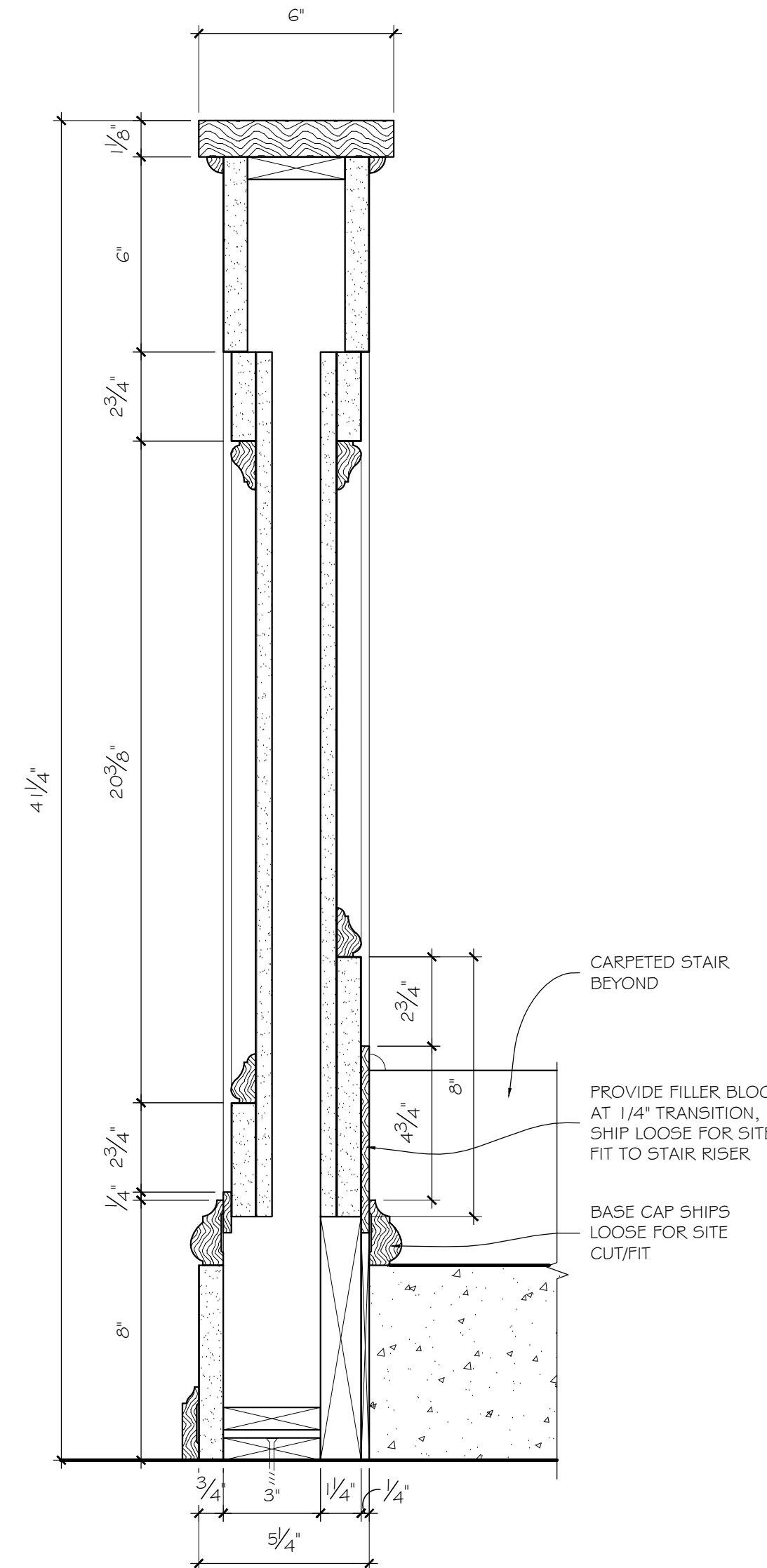
3 ELEVATION: JUDGES BENCH
3.02 SCALE: 3/4" = 12" ARCH. REF.: -



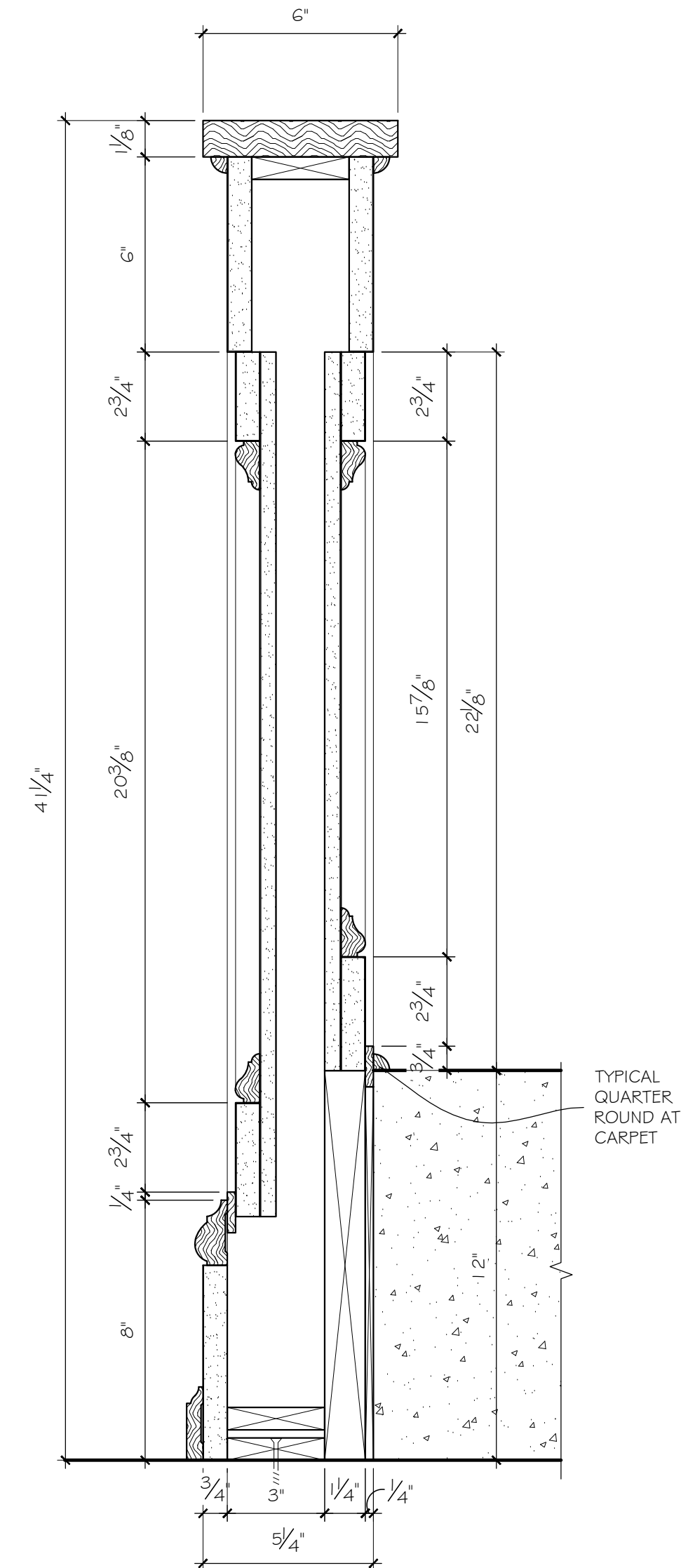
4 SECTION ELEVATION
3.02 SCALE: 3" = 12" ARCH. REF.: MW-57



5 SECTION ELEVATION
3.02 SCALE: 3" = 12" ARCH. REF.: -



6 SECTION ELEVATION
3.02 SCALE: 3" = 12" ARCH. REF.: -

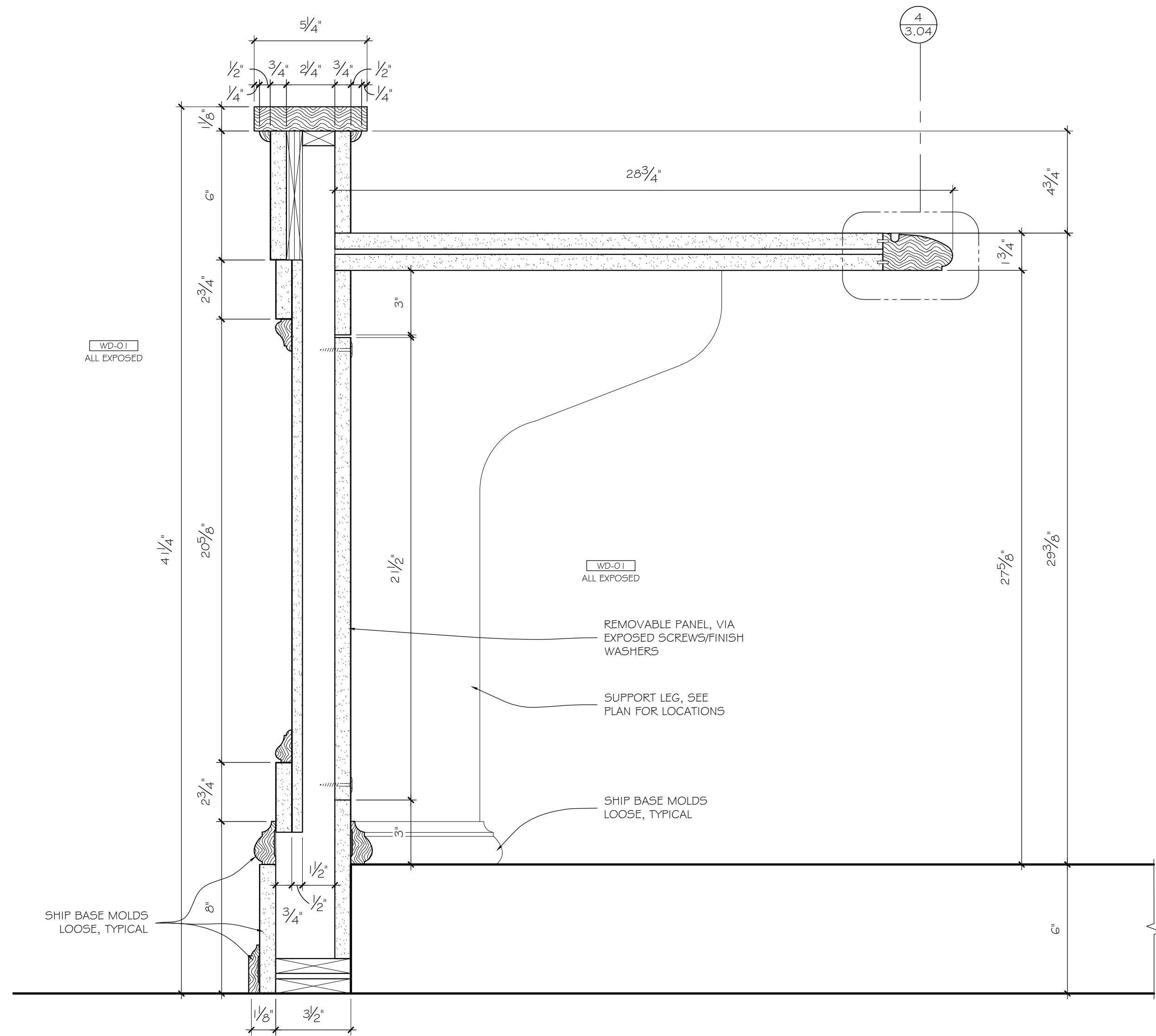


7 SECTION ELEVATION
3.02 SCALE: 3" = 12" ARCH. REF.: -

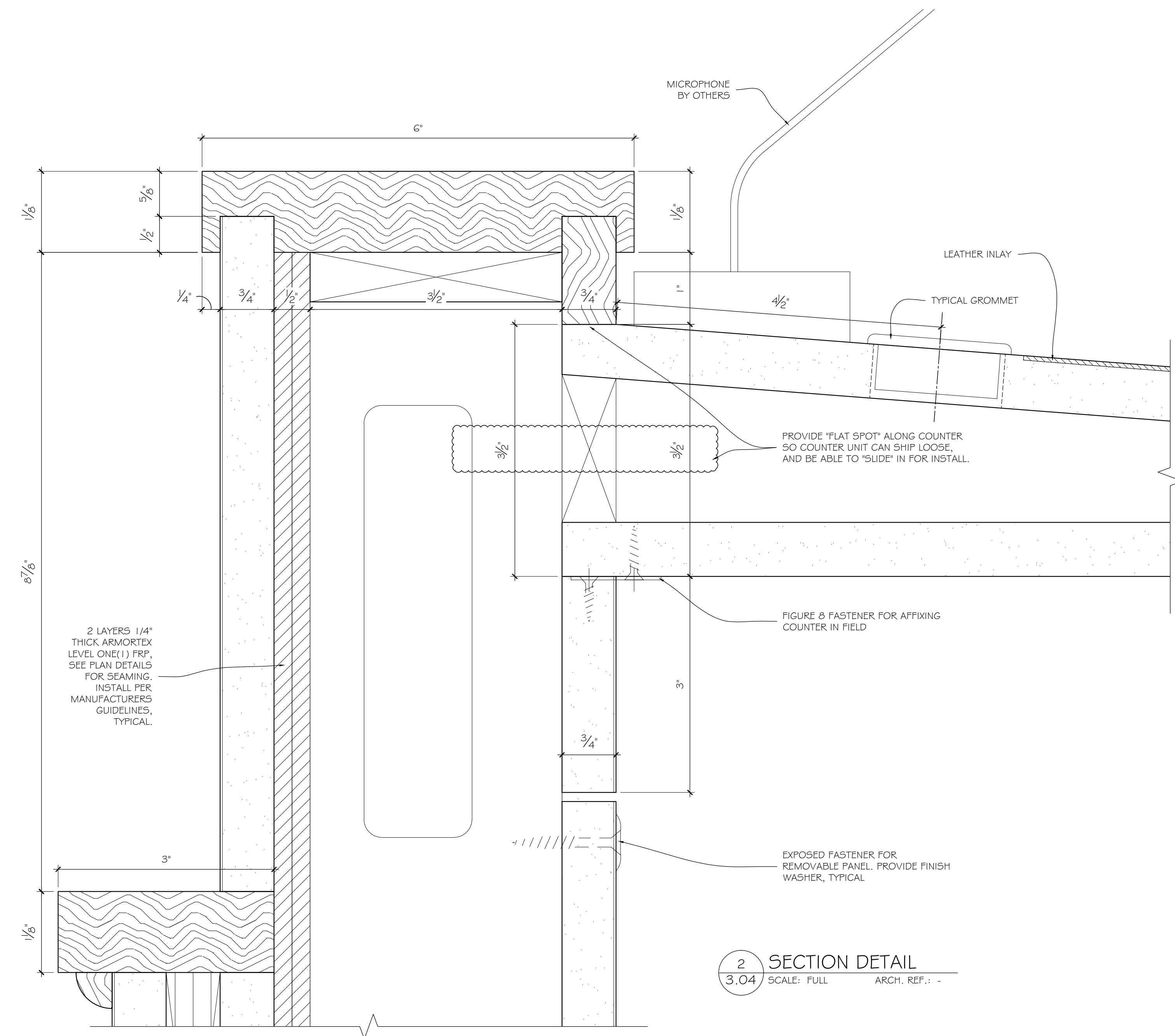
INSTITUTIONAL

blacks outsourcing, inc.
Architectural Woodwork Engineering
Our business is drawing yours

3.02

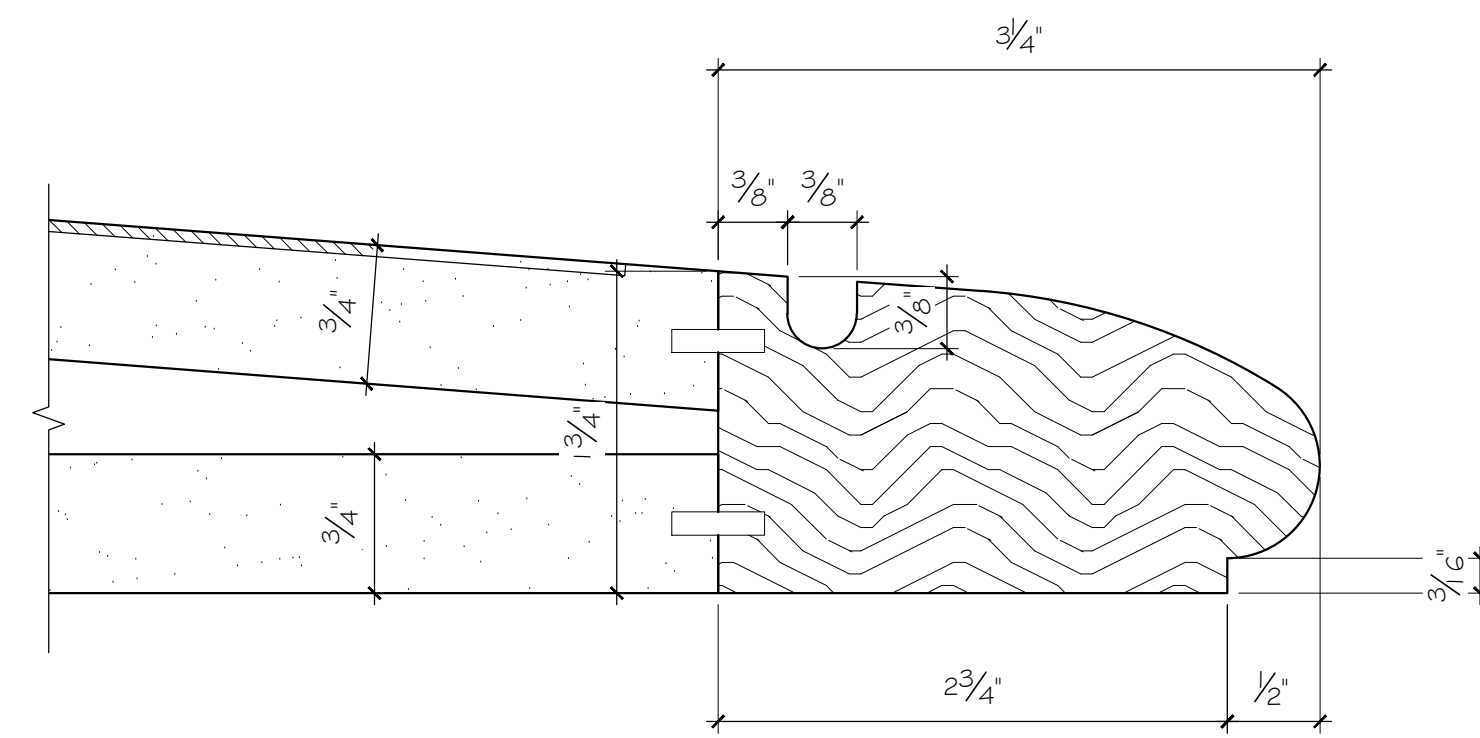


1 VERTICAL SECTION
3.04 SCALE: 3" = 12" ARCH. REF.: MW-46

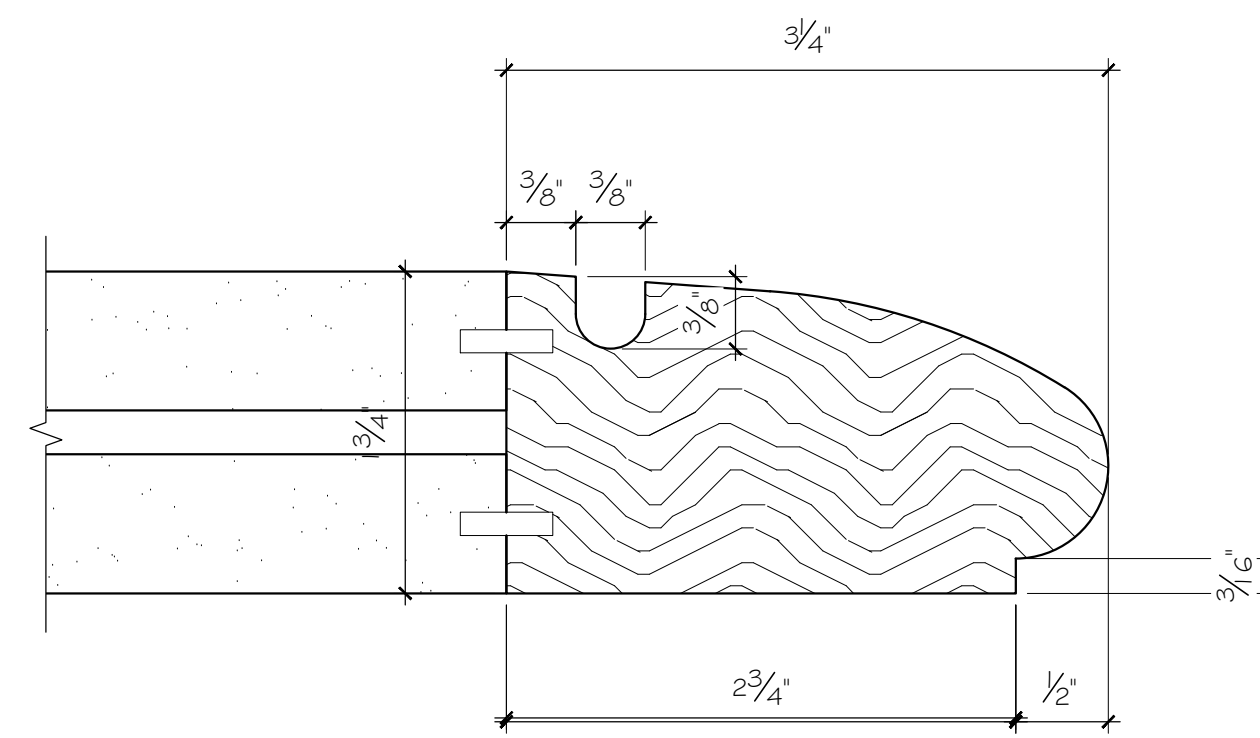


2 SECTION DETAIL
3.04 SCALE: FULL ARCH. REF.: -

SHOP NOTE:
BOTH PROFILES BELOW ARE IDENTICAL



3 SECTION DETAIL
3.04 SCALE: FULL ARCH. REF.: MW-44

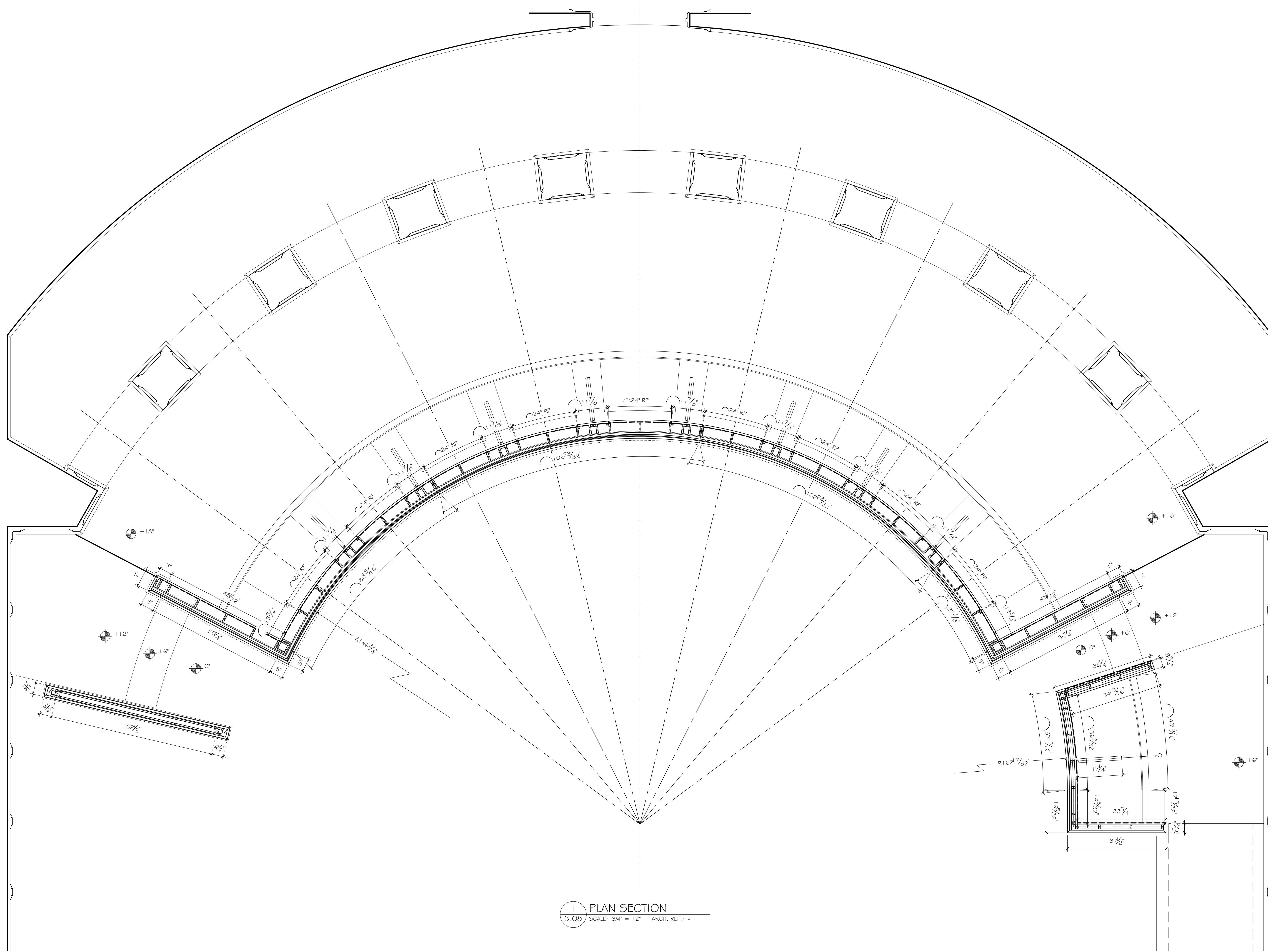


4 SECTION DETAIL
3.04 SCALE: FULL ARCH. REF.: MW-44

INSTITUTIONAL

blacks outsourcing, inc.
Architectural Woodwork Engineering
Our business is drawing yours

3.04



INSTITUTIONAL

blks
blacks outsourcing, inc.
 Architectural Woodwork Engineering
 Our business is drawing yours

3.08

