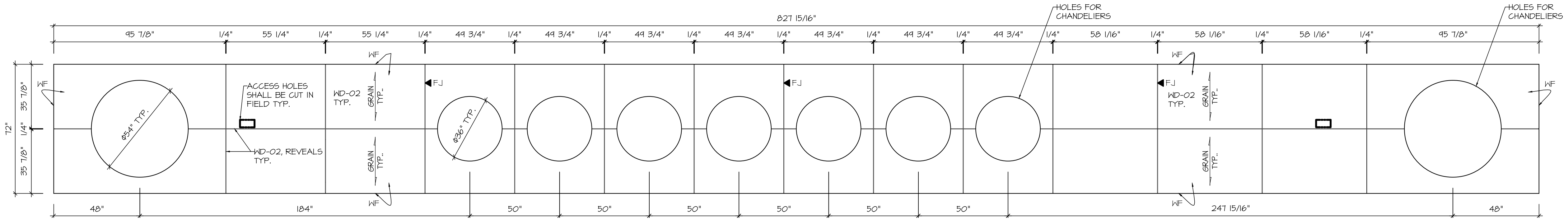
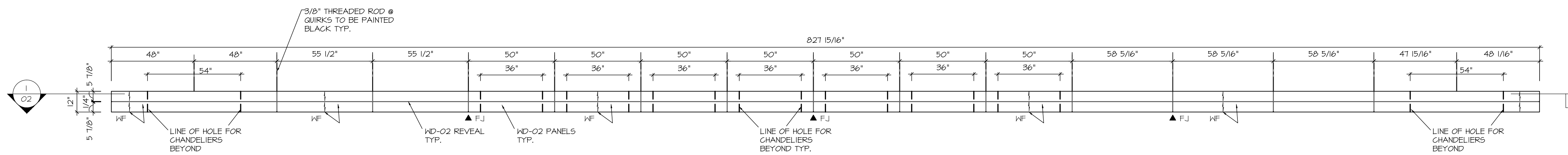


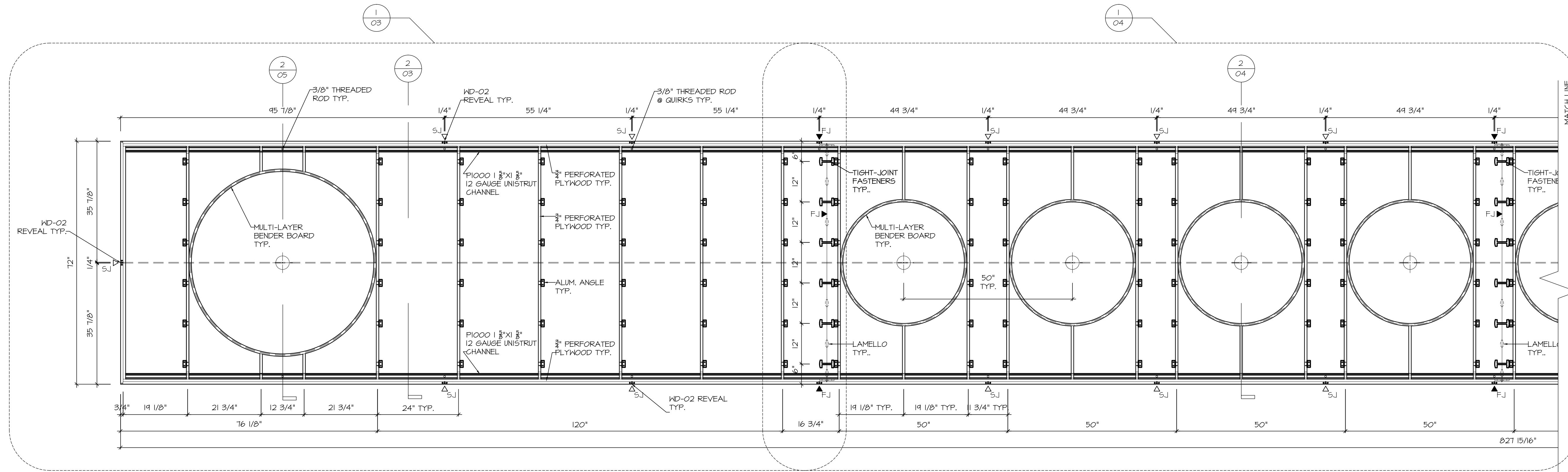
1
01
CEILING PLAN: CENTER BAR FLOATING PLANE
1/4"=12"
TM-54



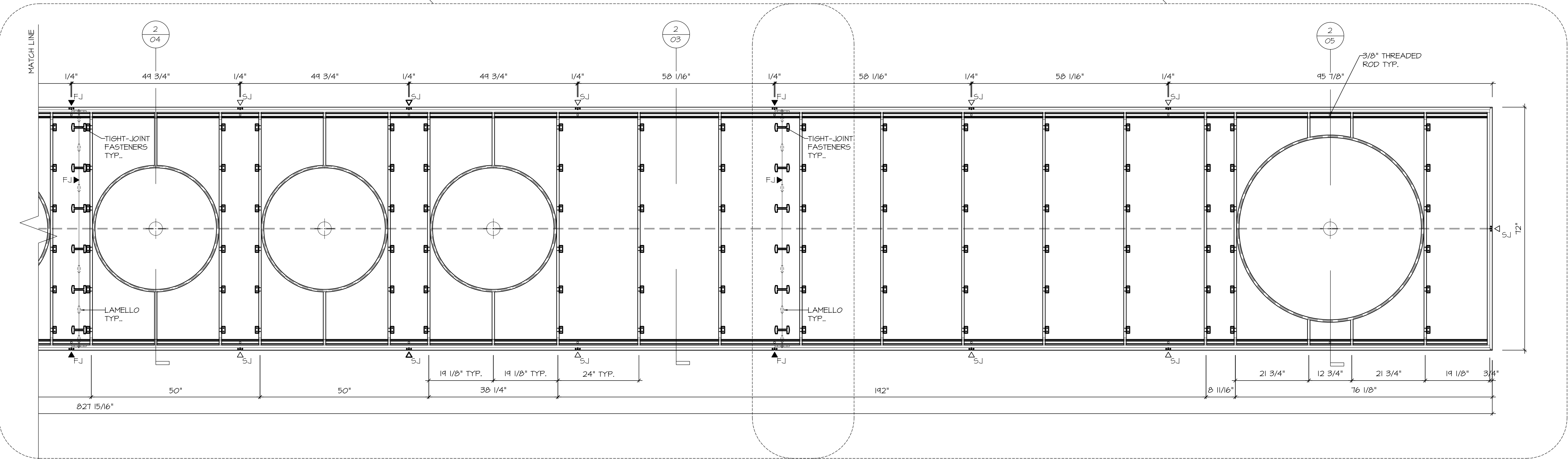
2
01
CEILING PLAN: CENTER BAR FLOATING PLANE
3/8"=12"
TM-54



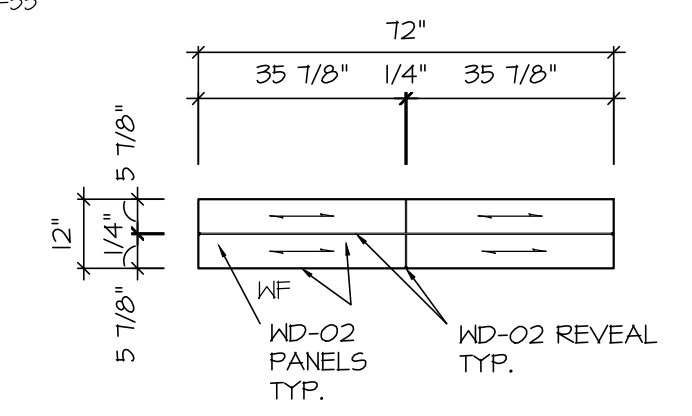
3
01
ELEVATION: CENTER BAR FLOATING PLANE
3/8"=12"
TM-54



1 PLAN SECTION: FLOATING PLANE
 O2 3/4"=12" TMSK-55



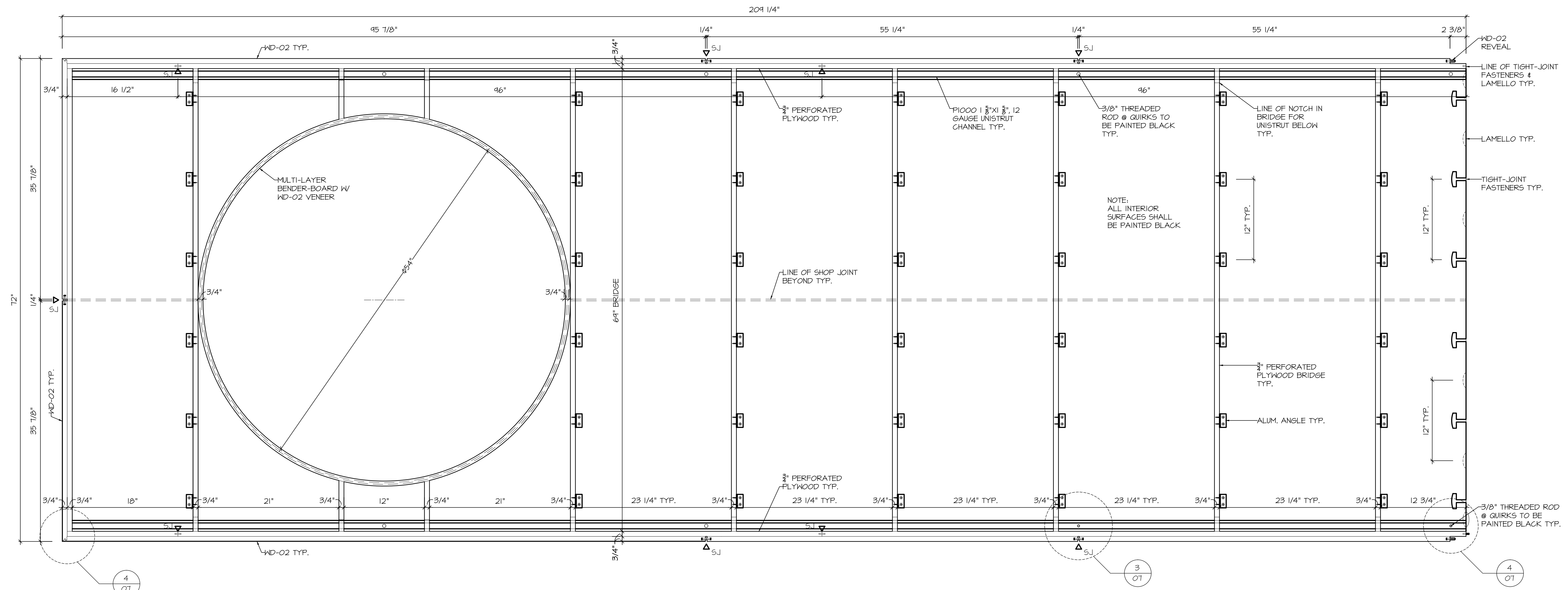
1 PLAN SECTION: FLOATING PLANE
 O2 3/4"=12" TMSK-55



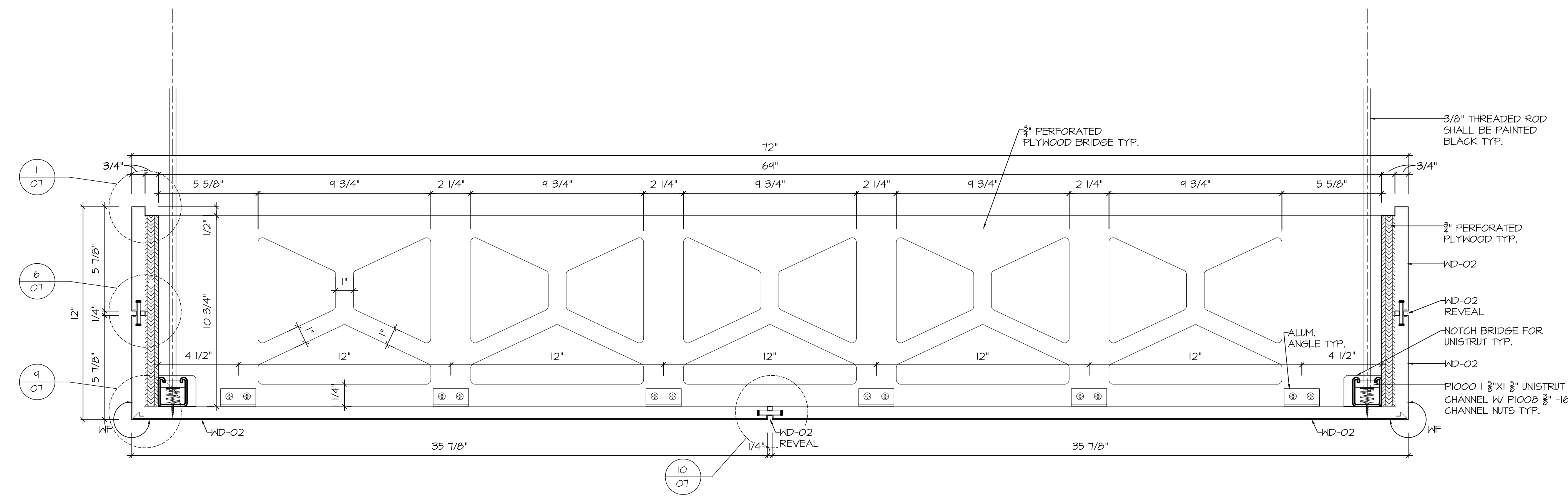
2 ELEVATION: FLOATING PLANE
 O2 3/8"=12" TMSK-55

GAMING

blacks outsourcing, inc.
 Architectural Woodwork Engineering
 Our business is drawing yours



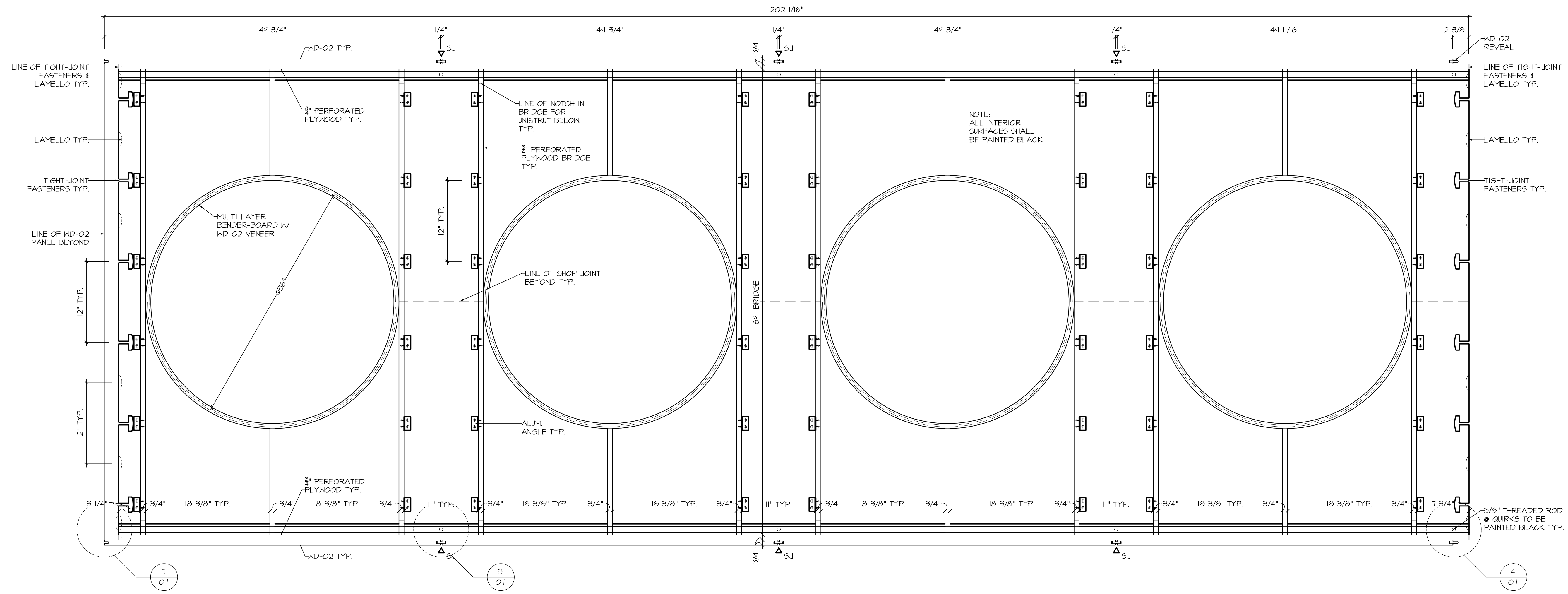
1 PLAN SECTION: FLOATING PLANE
 1/2"=12"
 TMSK-55



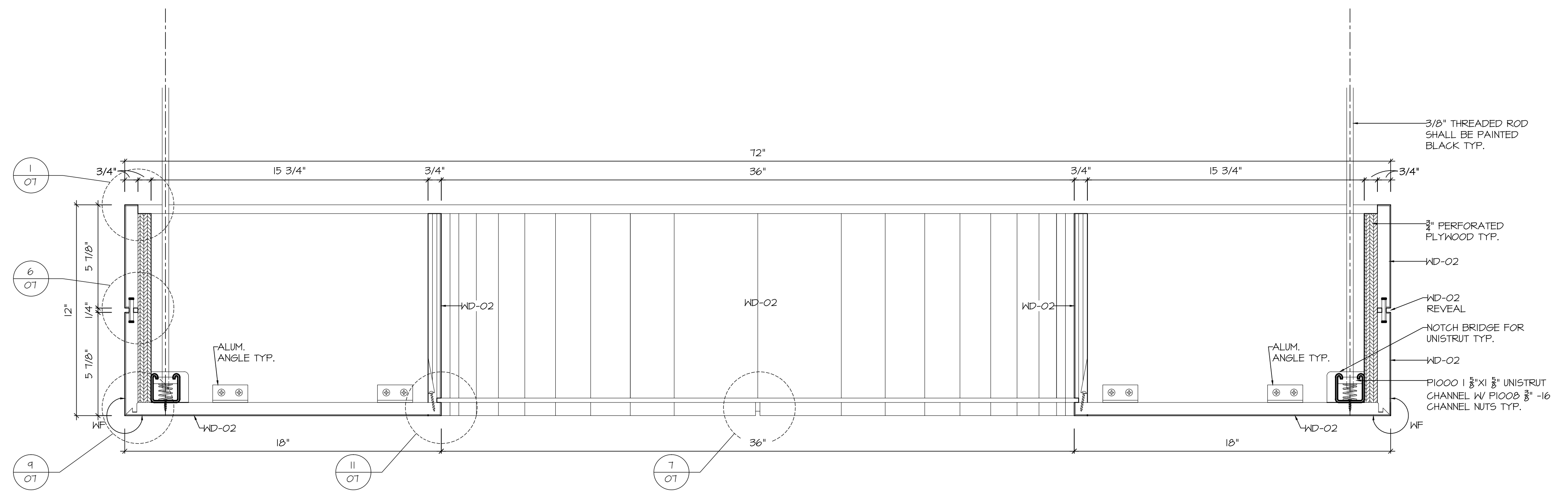
2 SECTION: FLOATING PLANE
 3"=12"
 TMSK-55

GAMING

blacks outsourcing, inc.
 Architectural Woodwork Engineering
 Our business is drawing yours



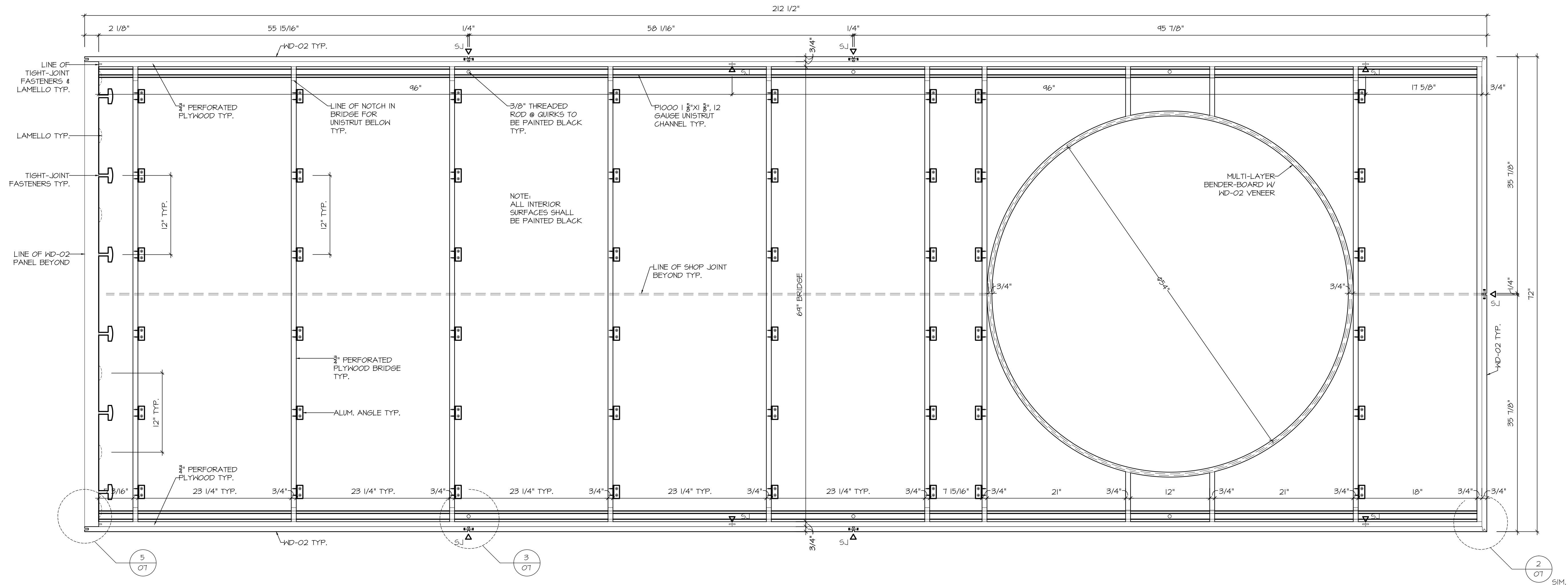
1 PLAN SECTION: FLOATING PLANE
 1 1/2"=12"
 TMSK-55



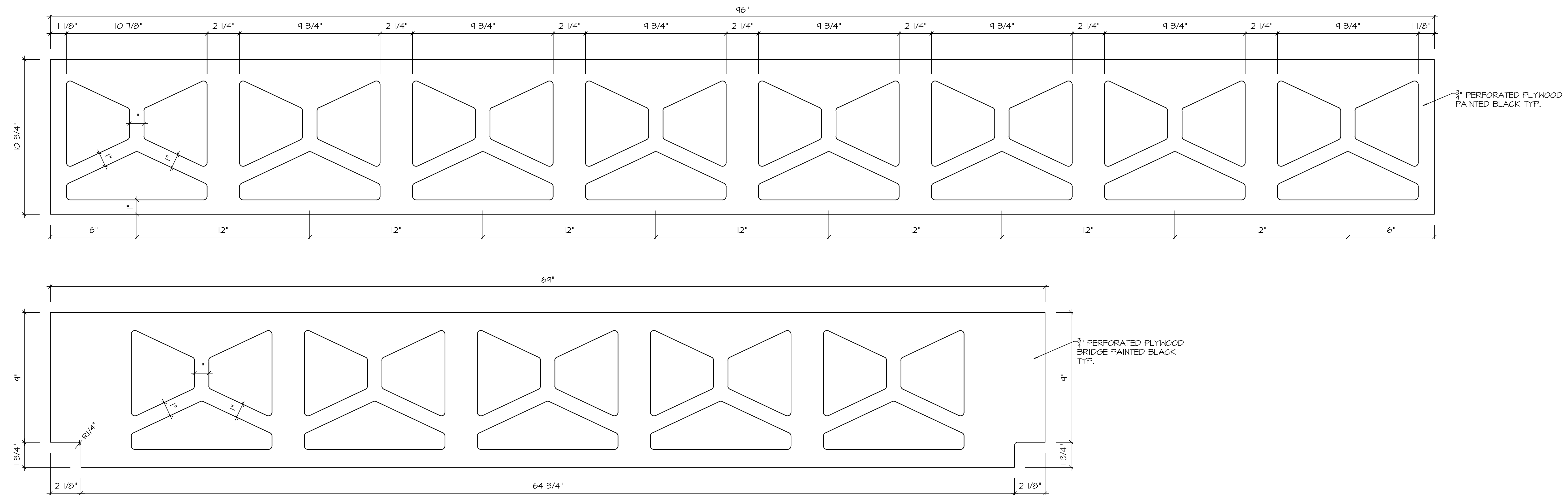
2 SECTION: FLOATING PLANE
 3"=12"
 TMSK-55

GAMING

blacks outsourcing, inc.
 Architectural Woodwork Engineering
 Our business is drawing yours



1 PLAN SECTION: FLOATING PLANE
 1/2"=12"
 TMSK-55



2 BRIDGE & PERFORATED PLYWOOD DETAIL
 3"=12"
 TMSK-55