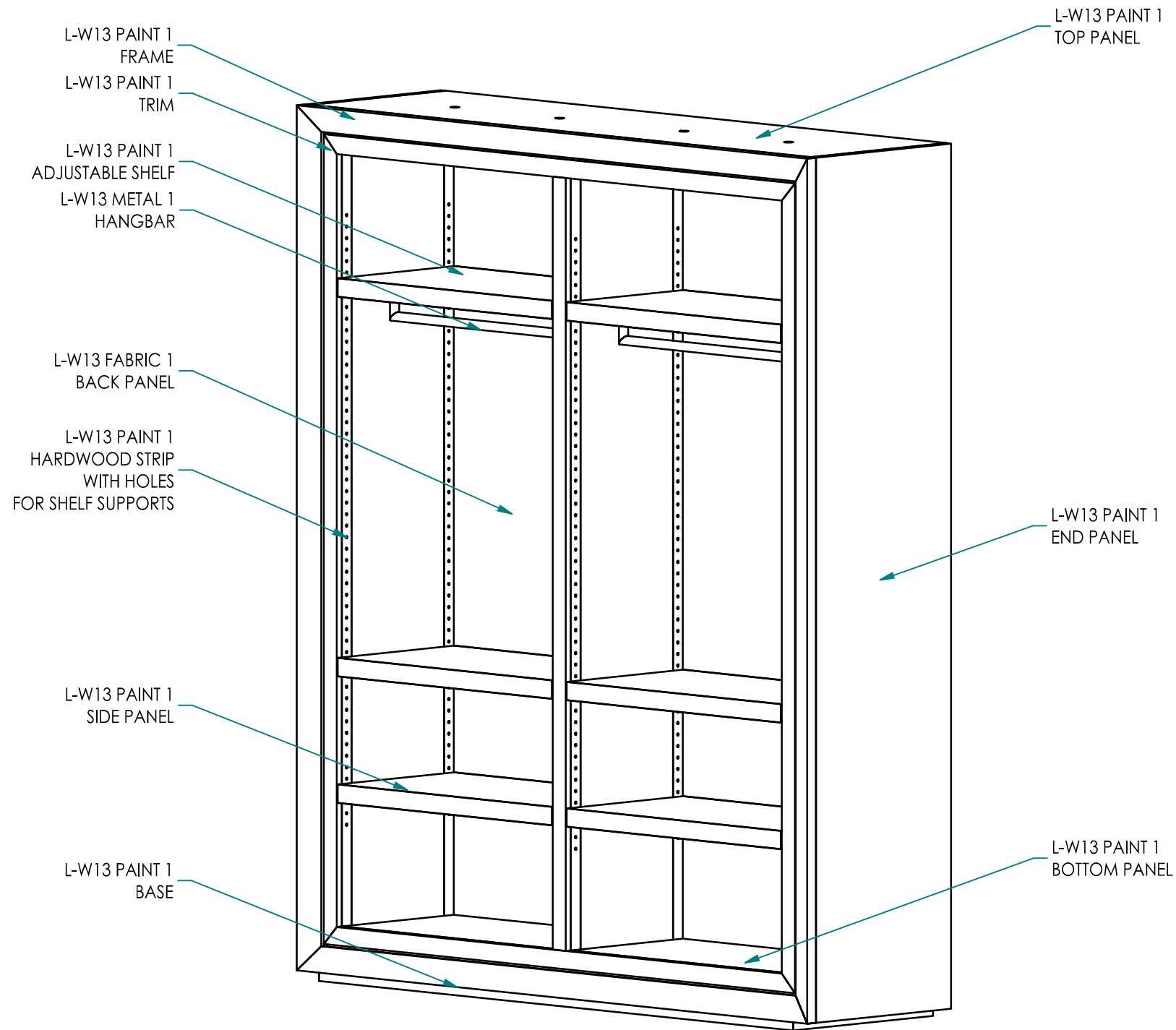
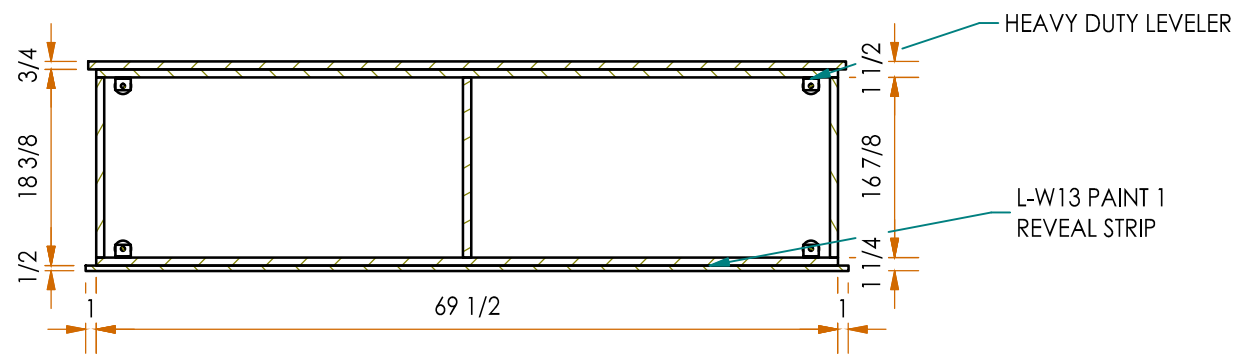
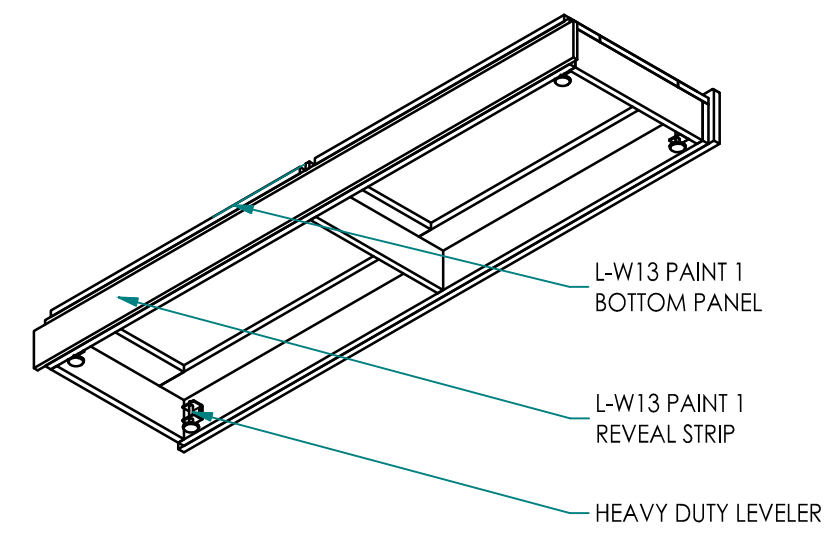
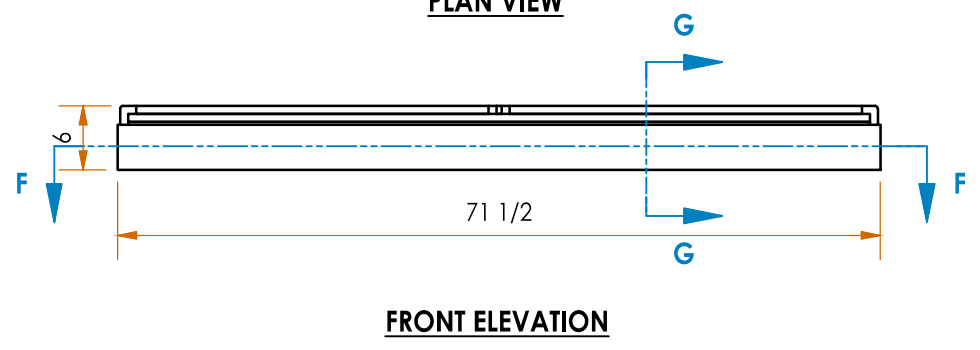
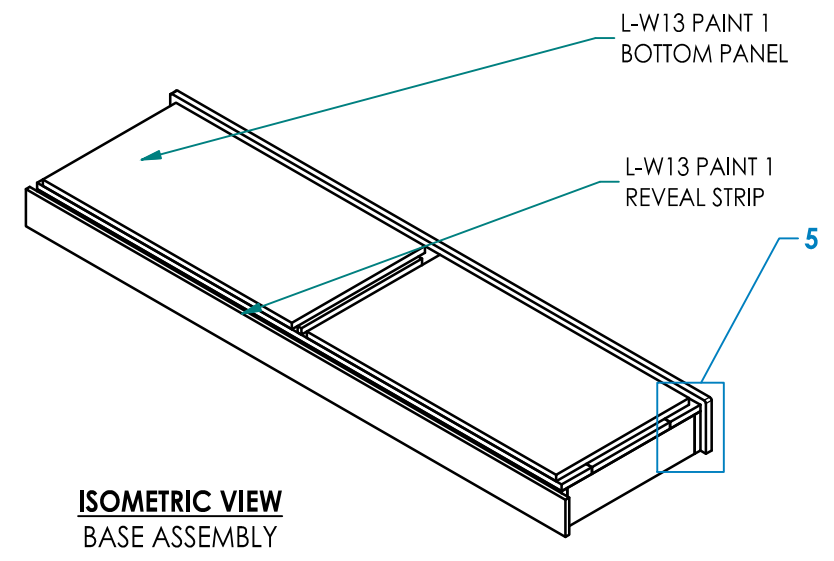
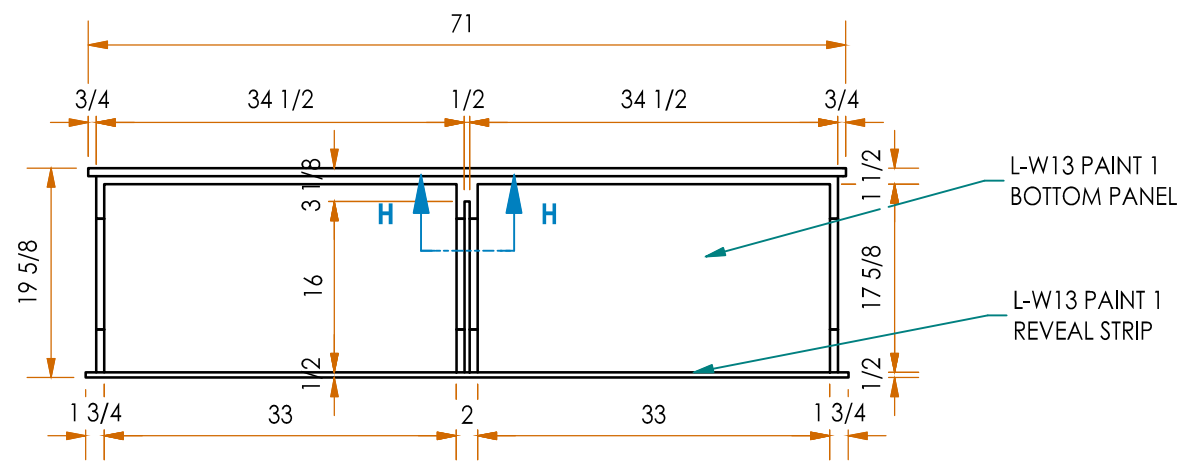


RETAIL

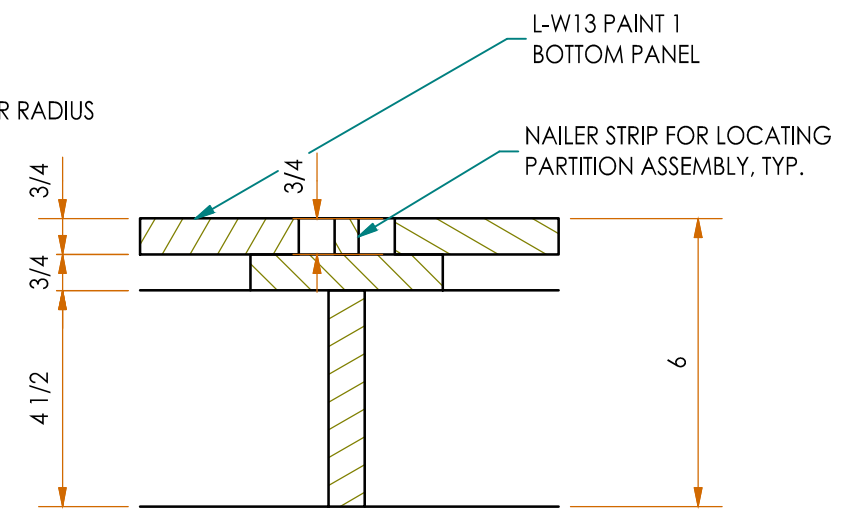
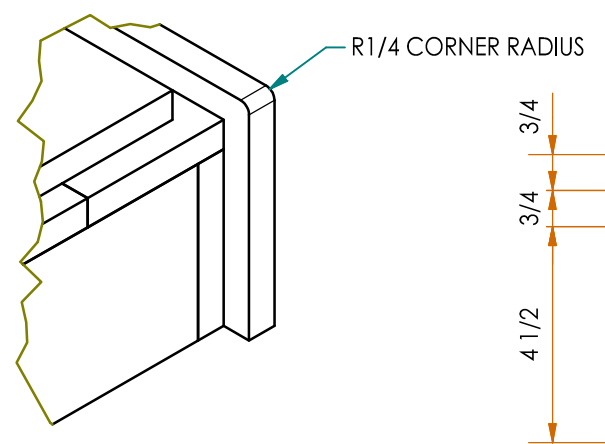
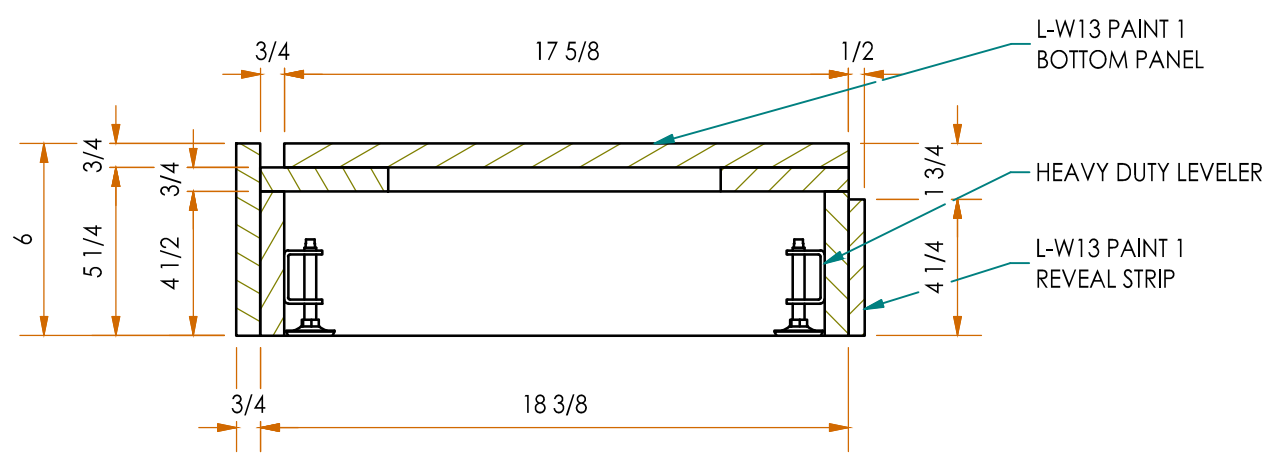


ISOMETRIC VIEW

blacks outsourcing, inc.
Architectural Woodwork Engineering
Our business is drawing yours



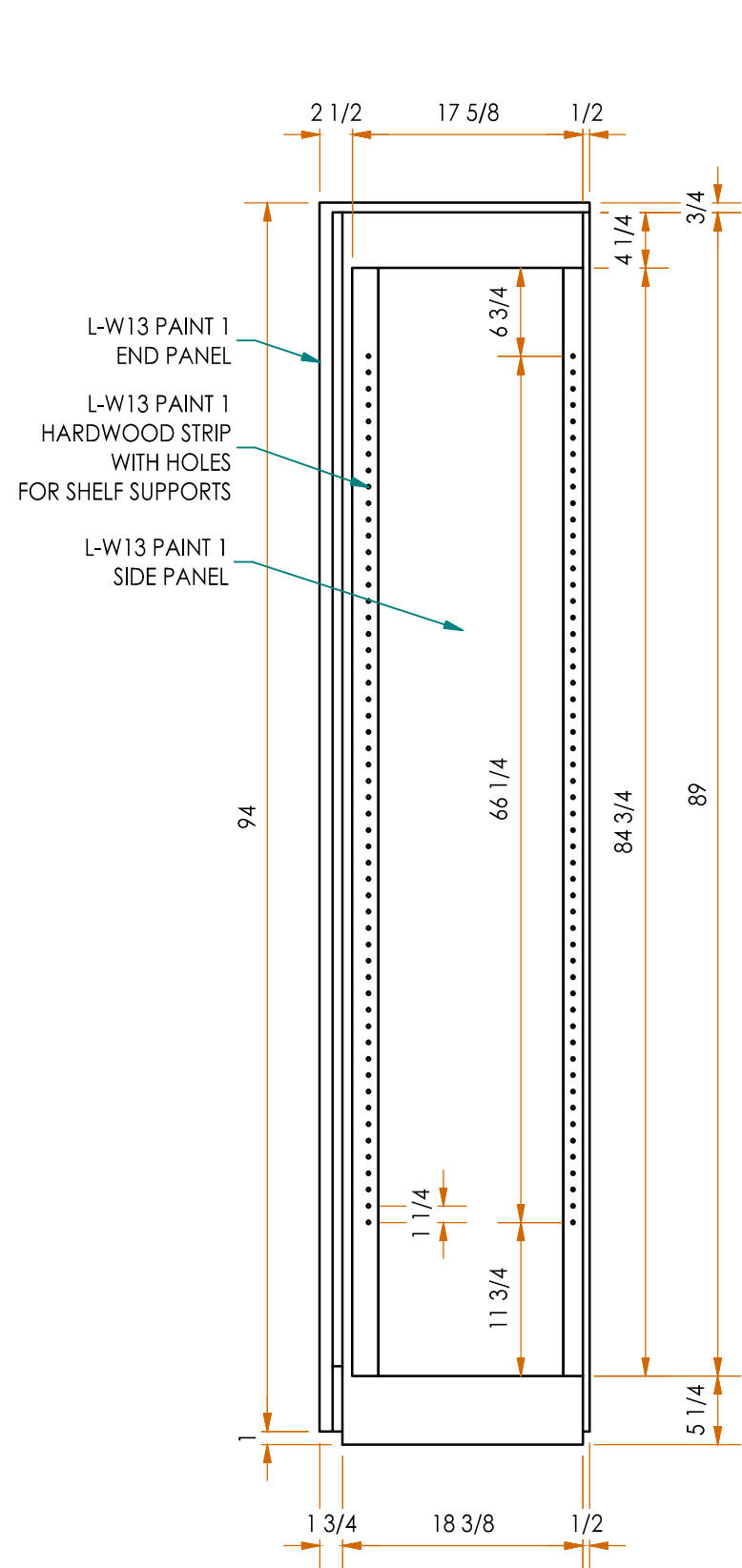
ISOMETRIC VIEW
BASE ASSEMBLY



SECTION G-G

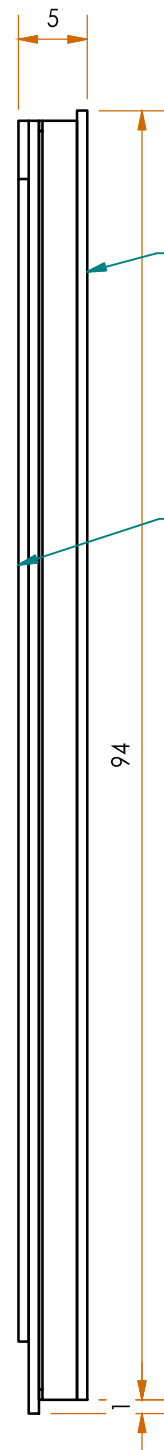
DETAIL 5 BASE ASSEMBLY

SECTION H-H

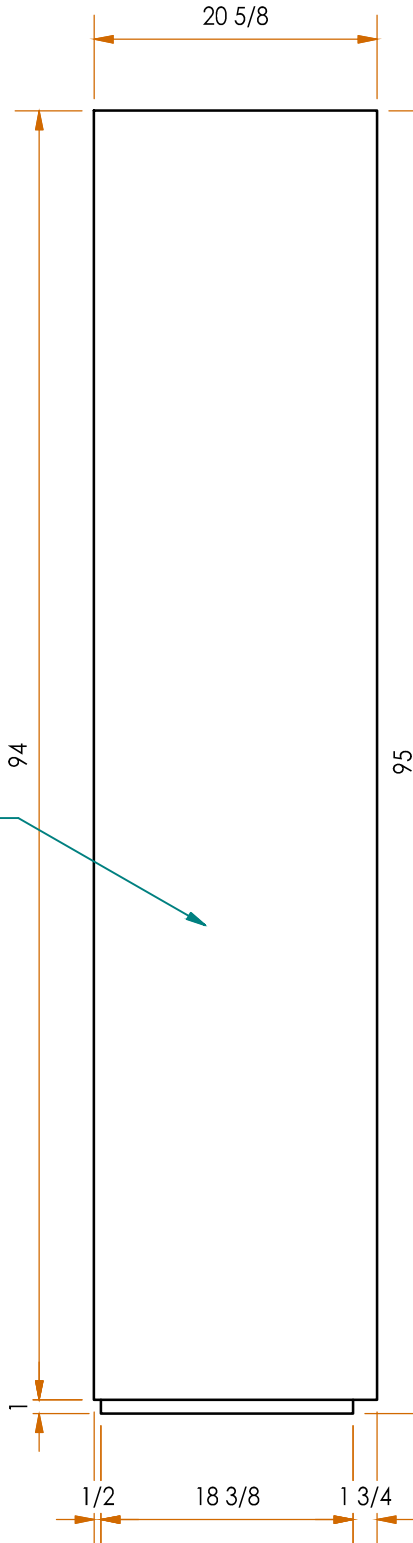


LEFT SIDE ELEVATION

ONE (1) EACH REQUIRED

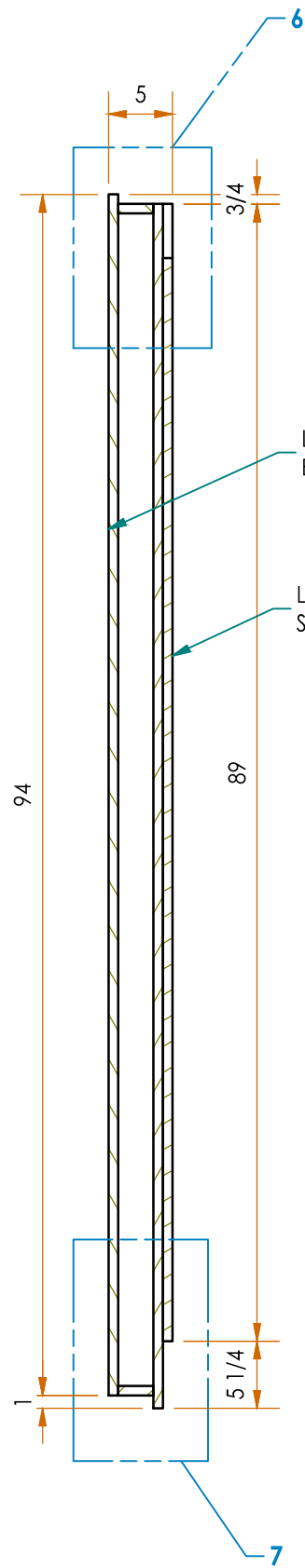


FRONT ELEVATION

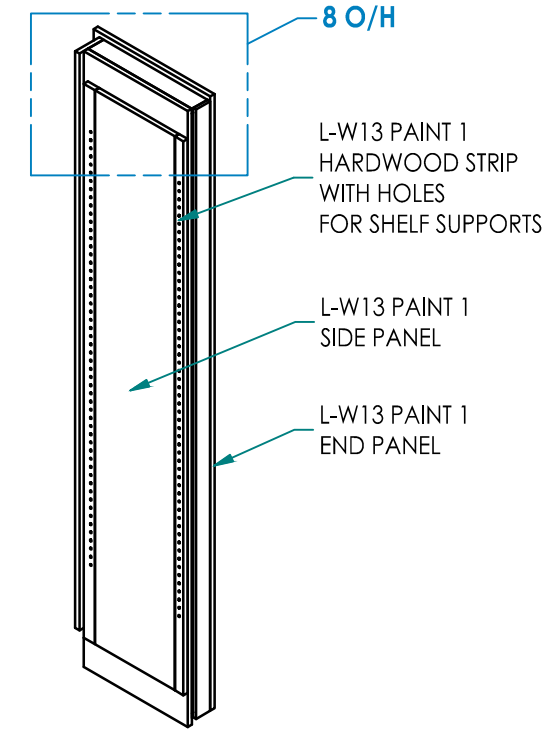


RIGHT SIDE ELEVATION

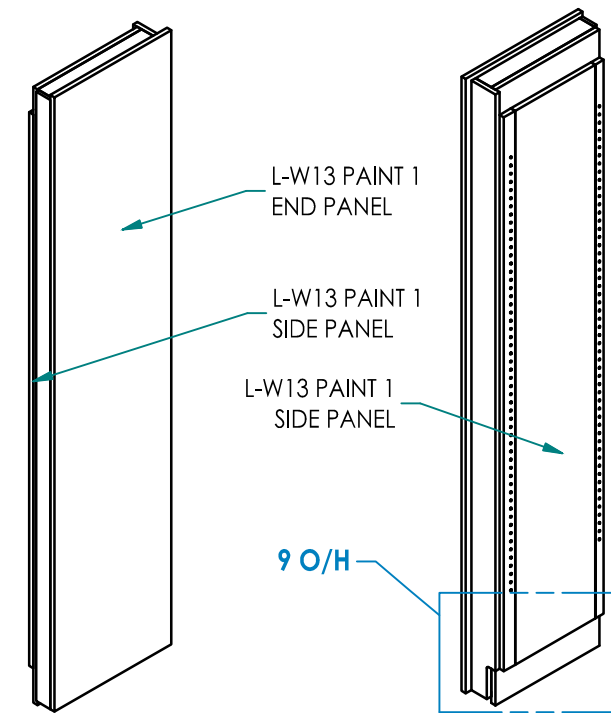
RIGHT END ASSEMBLY



SECTION J-J



**INSIDE ISOMETRIC VIEW
RIGHT END ASSEMBLY**

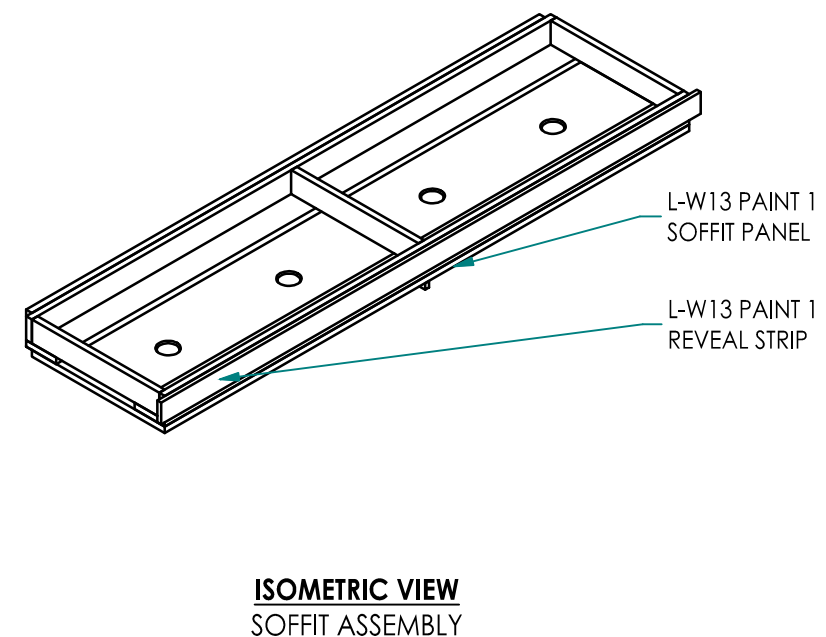
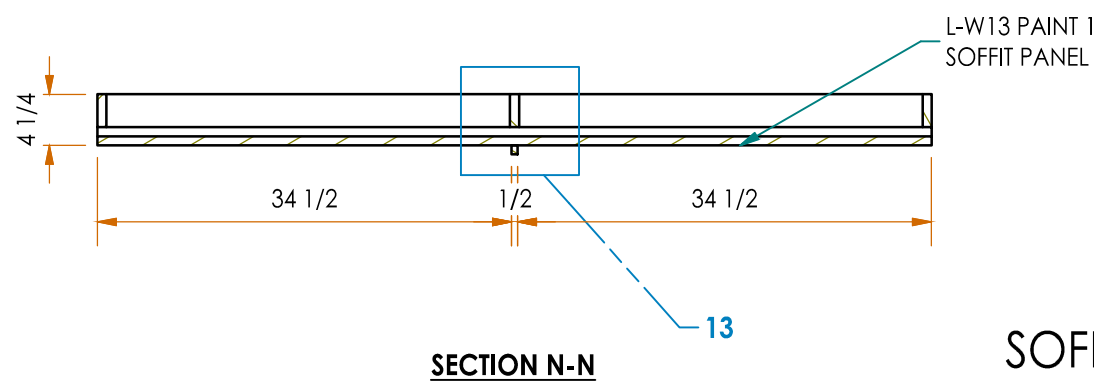
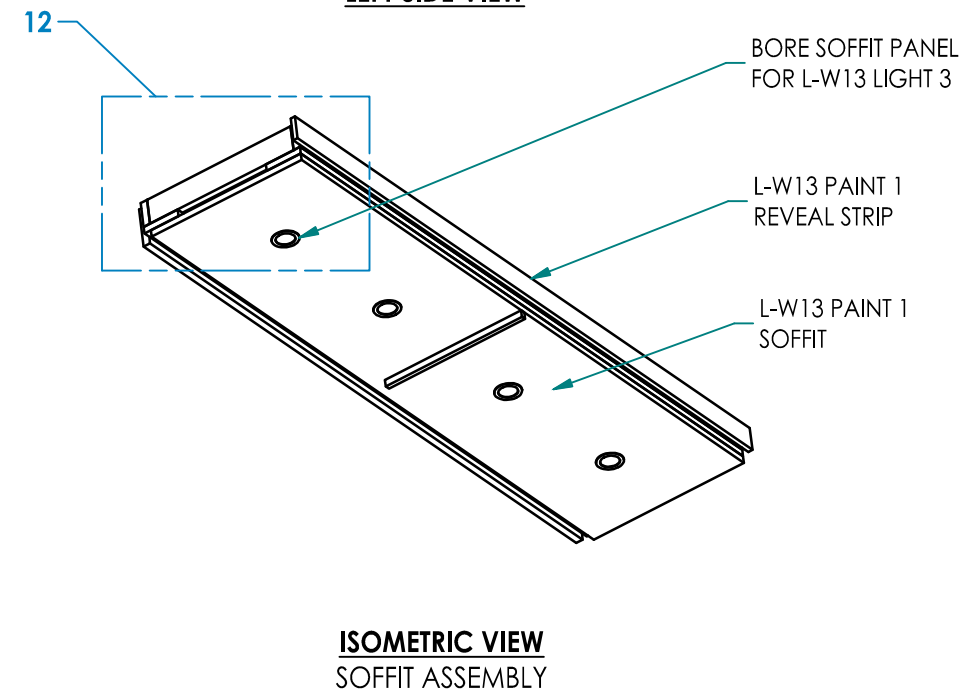
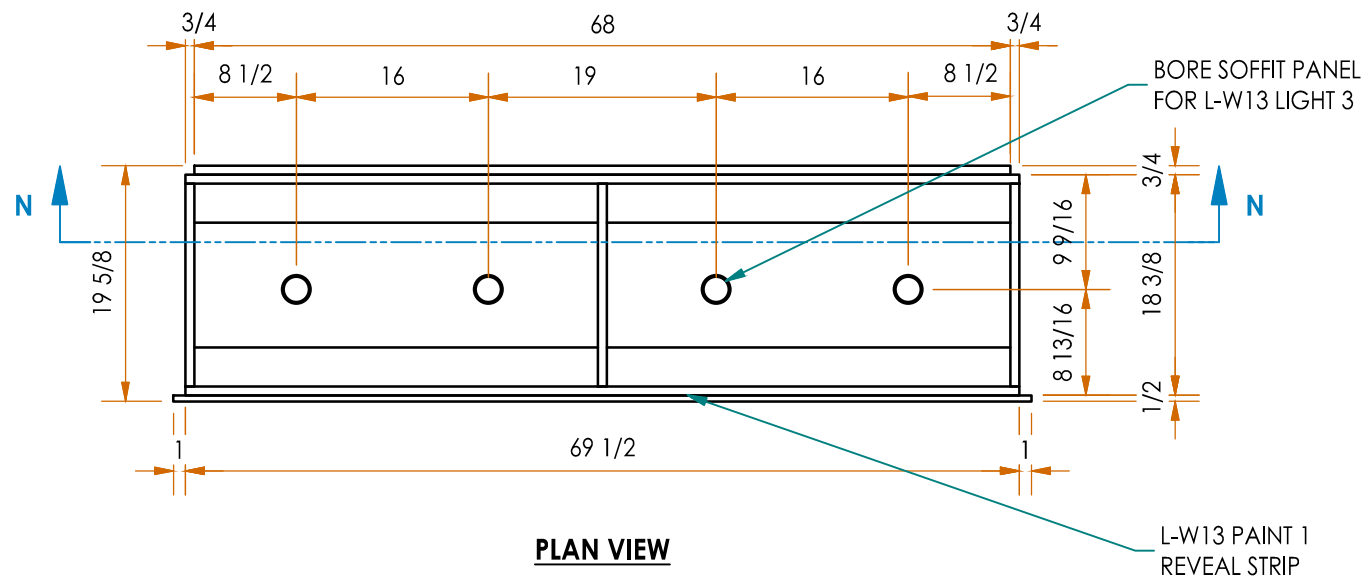
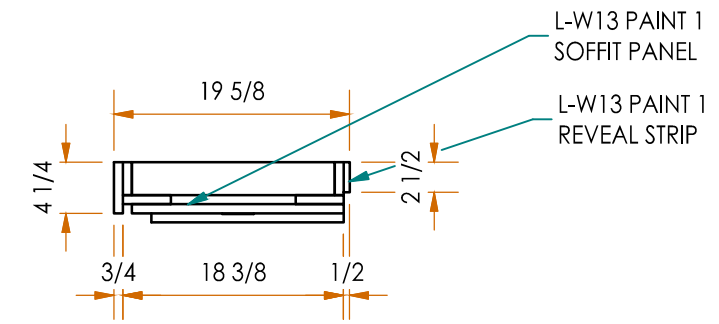
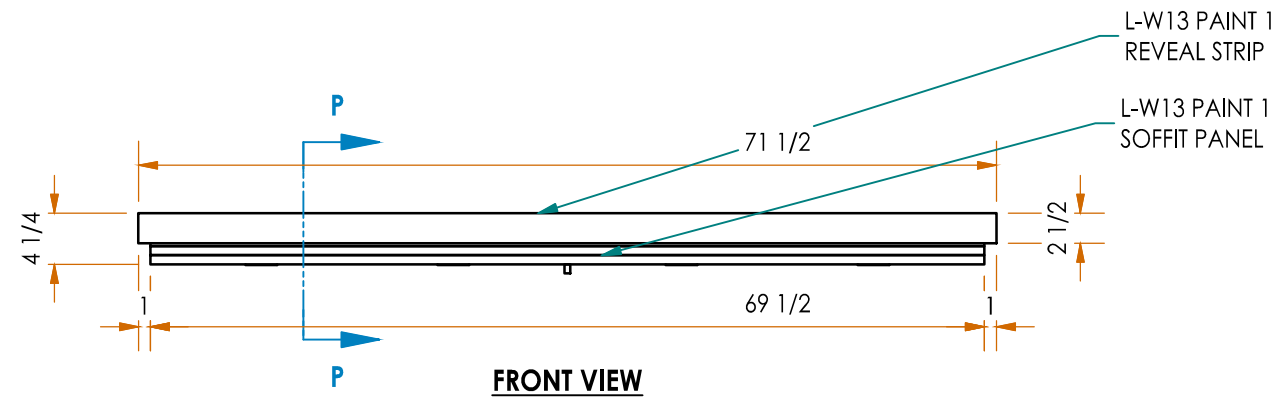


**OUTSIDE ISOMETRIC VIEW
RIGHT END ASSEMBLY**

**REAR ISOMETRIC VIEW
RIGHT END ASSEMBLY**

RETAIL

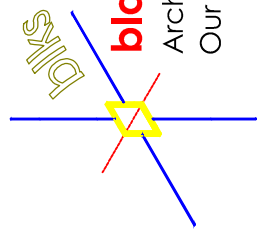
blacks outsourcing, inc.
Architectural Woodwork Engineering
Our business is drawing yours

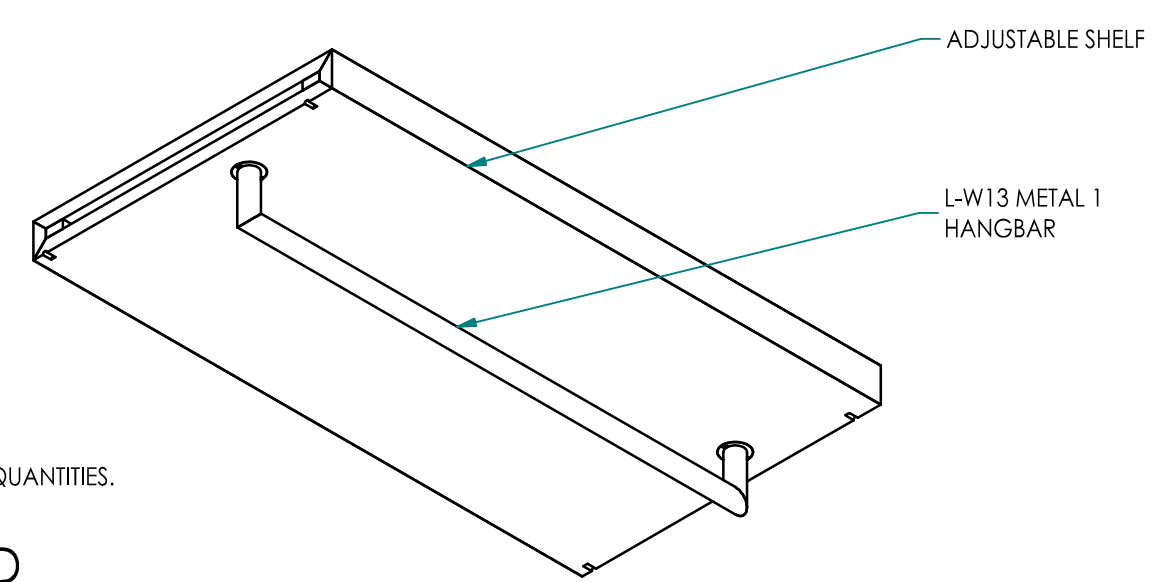
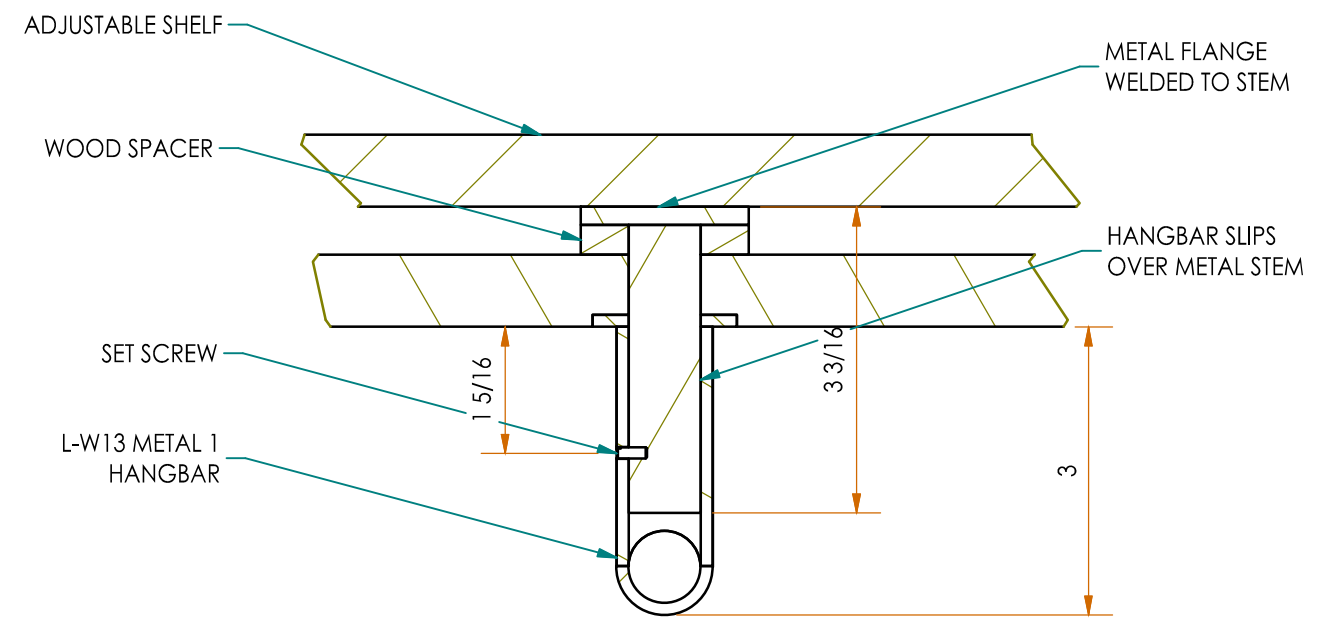
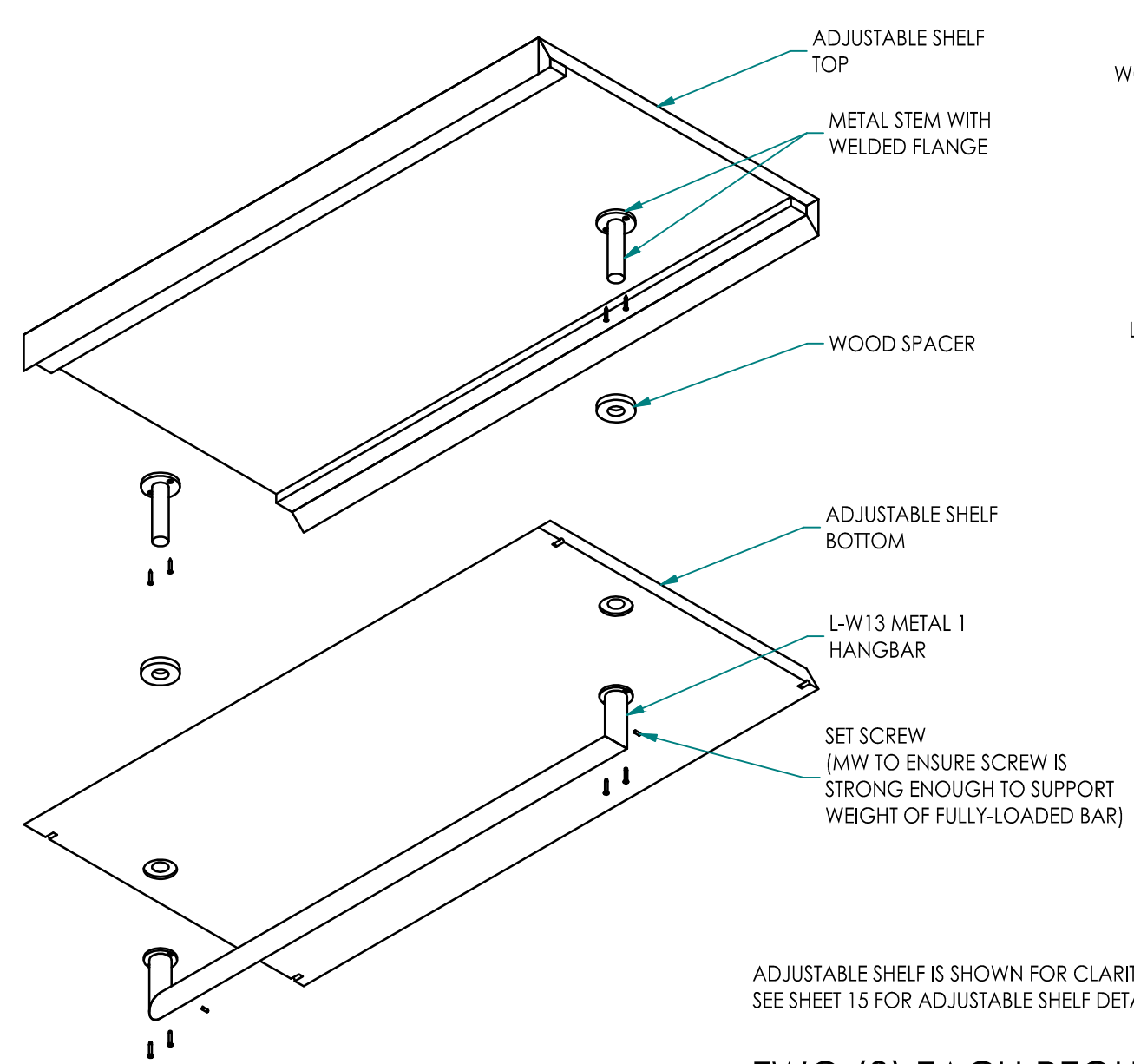
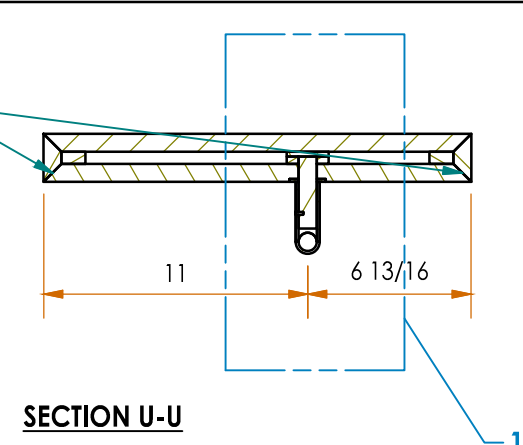
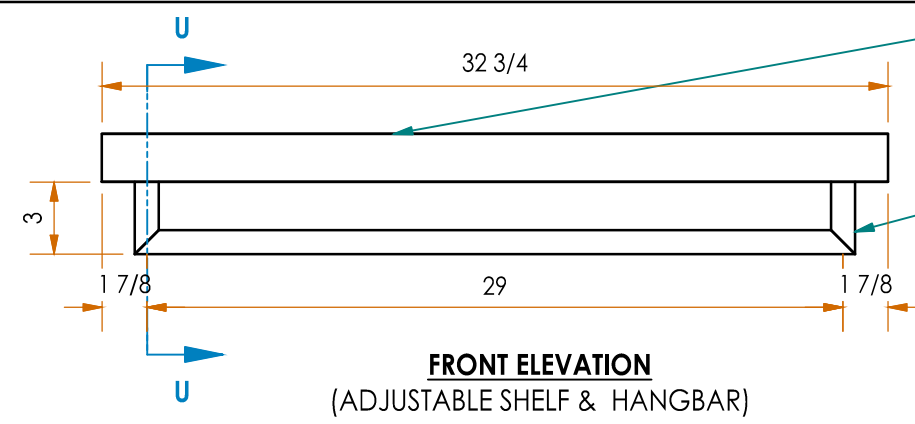


SOFFIT ASSEMBLY

RETAIL

blacks outsourcing, inc.
Architectural Woodwork Engineering
Our business is drawing yours





ADJUSTABLE SHELF IS SHOWN FOR CLARITY.
SEE SHEET 15 FOR ADJUSTABLE SHELF DETAILS & QUANTITIES.

TWO (2) EACH REQUIRED

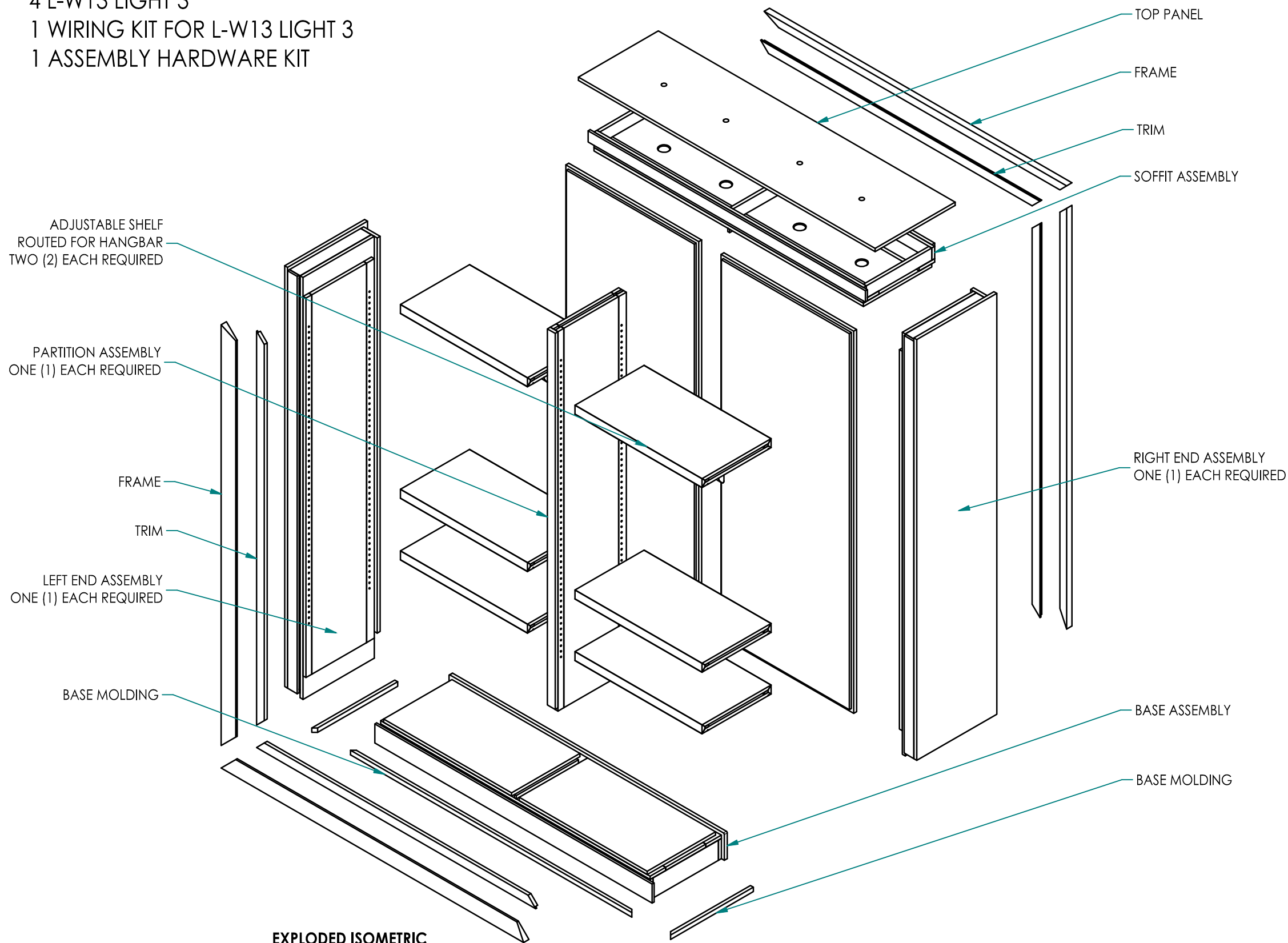
EXPLODED ISOMETRIC
(ADJUSTABLE SHELF & HANGBAR)

RETAIL

blacks outsourcing, inc.
Architectural Woodwork Engineering
Our business is drawing yours

SHIPPING LIST

- 1 SOFFIT ASSEMBLY
- 1 TOP PANEL
- 1 RIGHT END ASSEMBLY
- 1 LEFT END ASSEMBLY
- 1 BASE ASSEMBLY
- 1 PARTITION ASSEMBLY
- 4 FRAME MOLDING 8'
- 4 TRIM MOLDING 8'
- 2 BASE MOLDING 8'
- 2 SHELVES W/ HANGBAR
- 4 ADJUSTABLE SHELVES
- 24 SHELF PINS
- 4 L-W13 LIGHT 3
- 1 WIRING KIT FOR L-W13 LIGHT 3
- 1 ASSEMBLY HARDWARE KIT



EXPLODED ISOMETRIC

RETAIL

blacks outsourcing, inc.
Architectural Woodwork Engineering
Our business is drawing yours