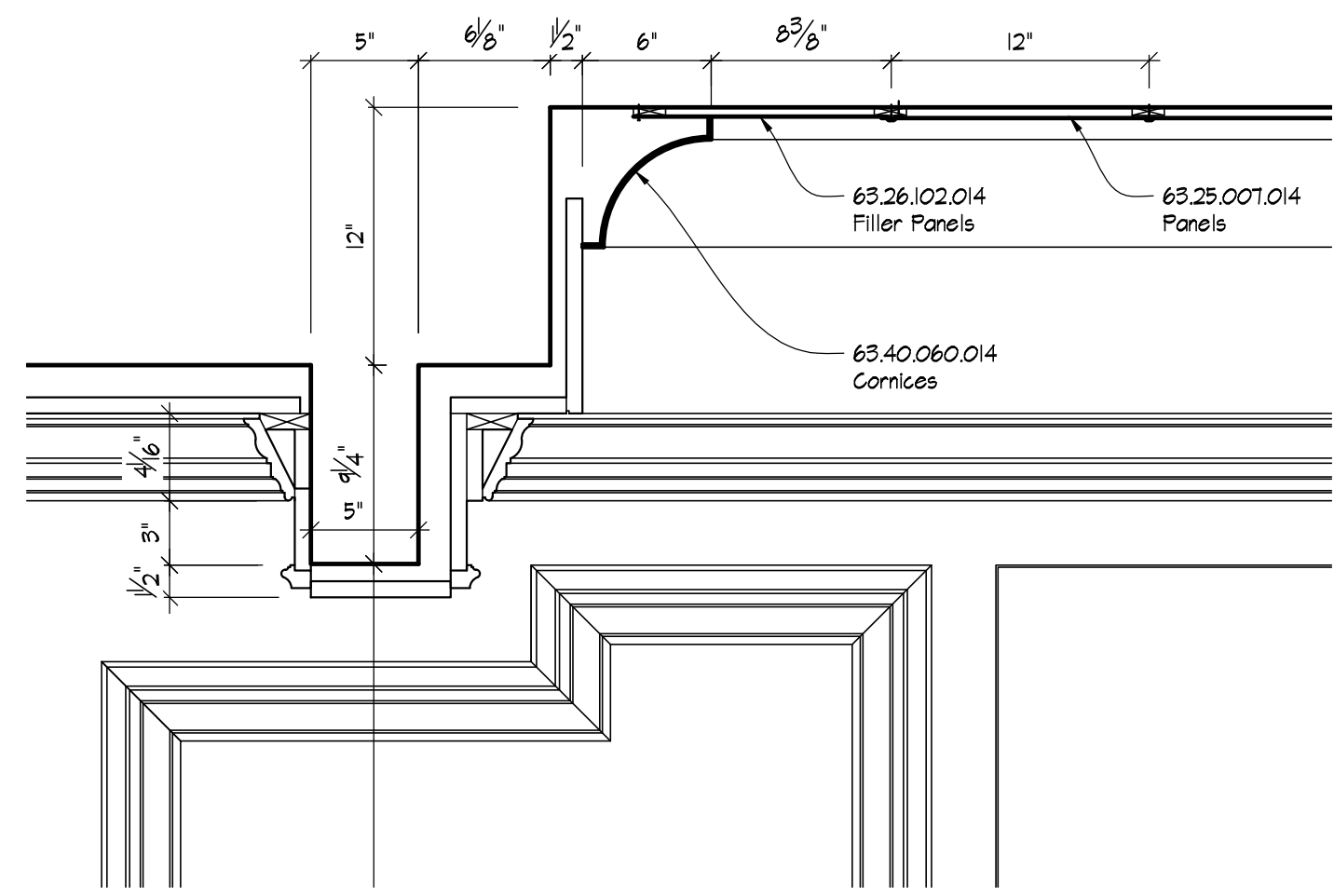


1 Floor Plan:
 FPI SCALE: 3/8"=1' ARCH. REF.: -

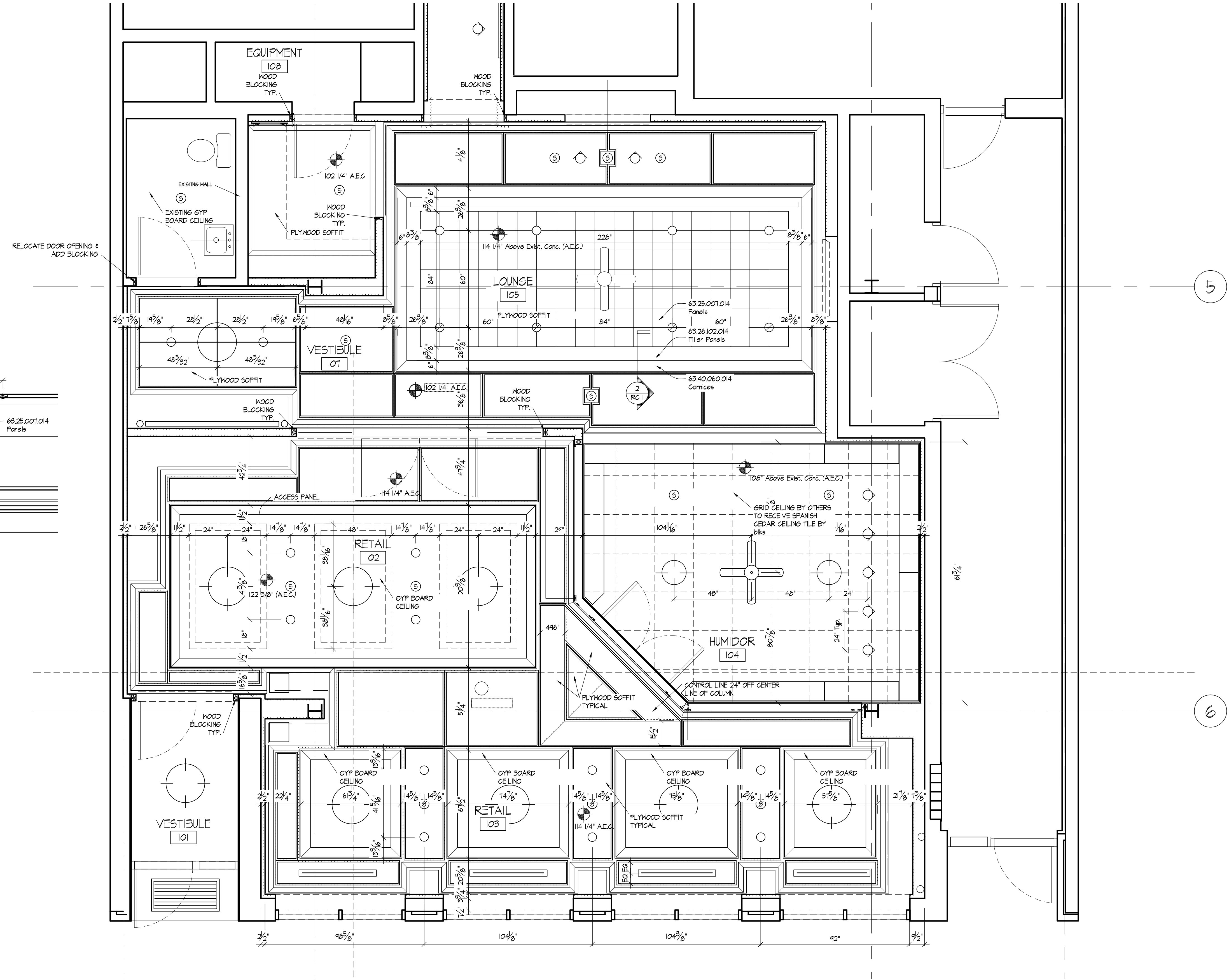
RETAIL

blacks outsourcing, inc.
 Architectural Woodwork Engineering
 Our business is drawing yours

FP



2 Section:
RC 1 SCALE: 1/2" = 12" ARCH. REF.: -

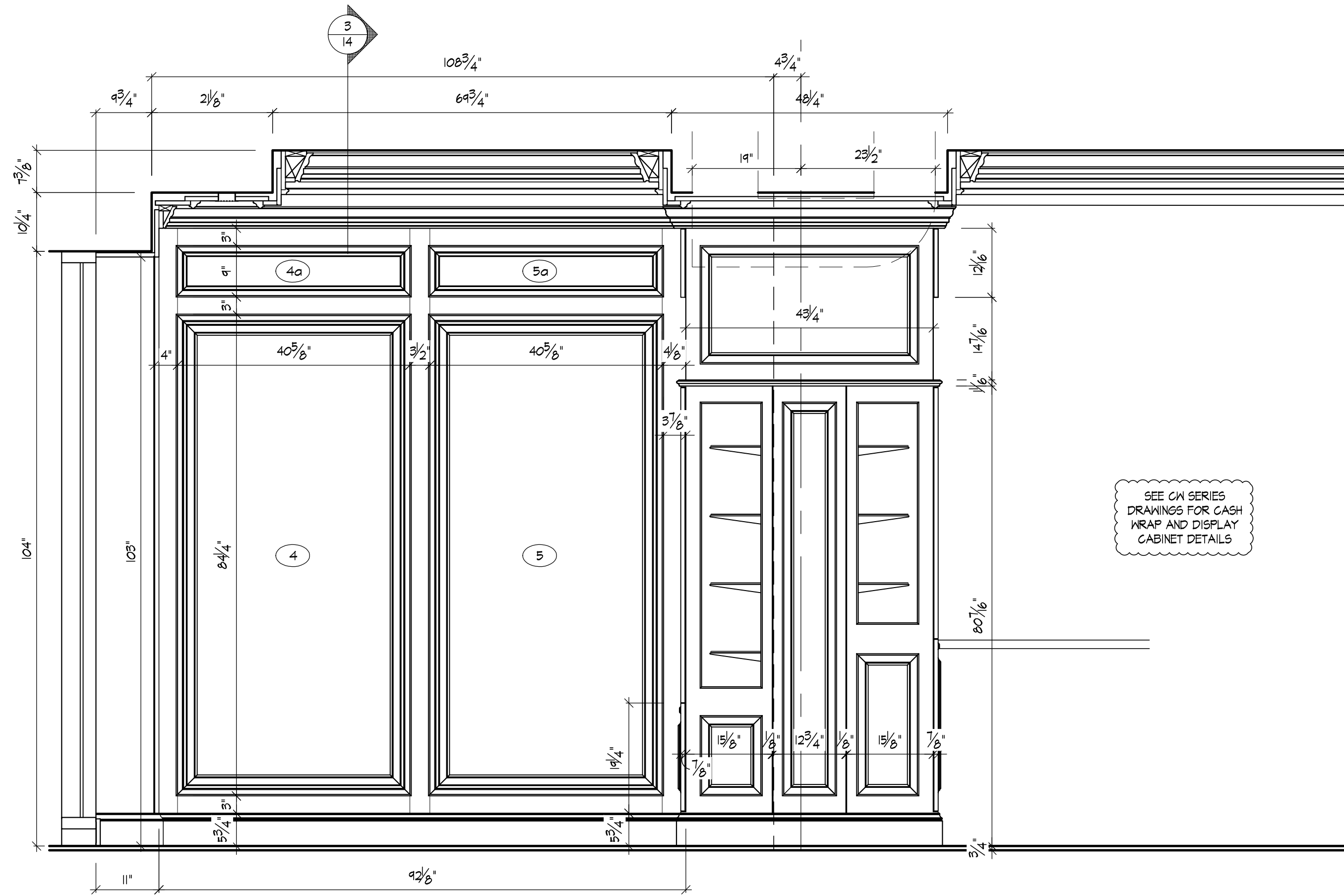


1 REFLECTED CEILING DIMENSION PLAN:
RC 1 SCALE: 3/8" = 12" ARCH. REF.: -

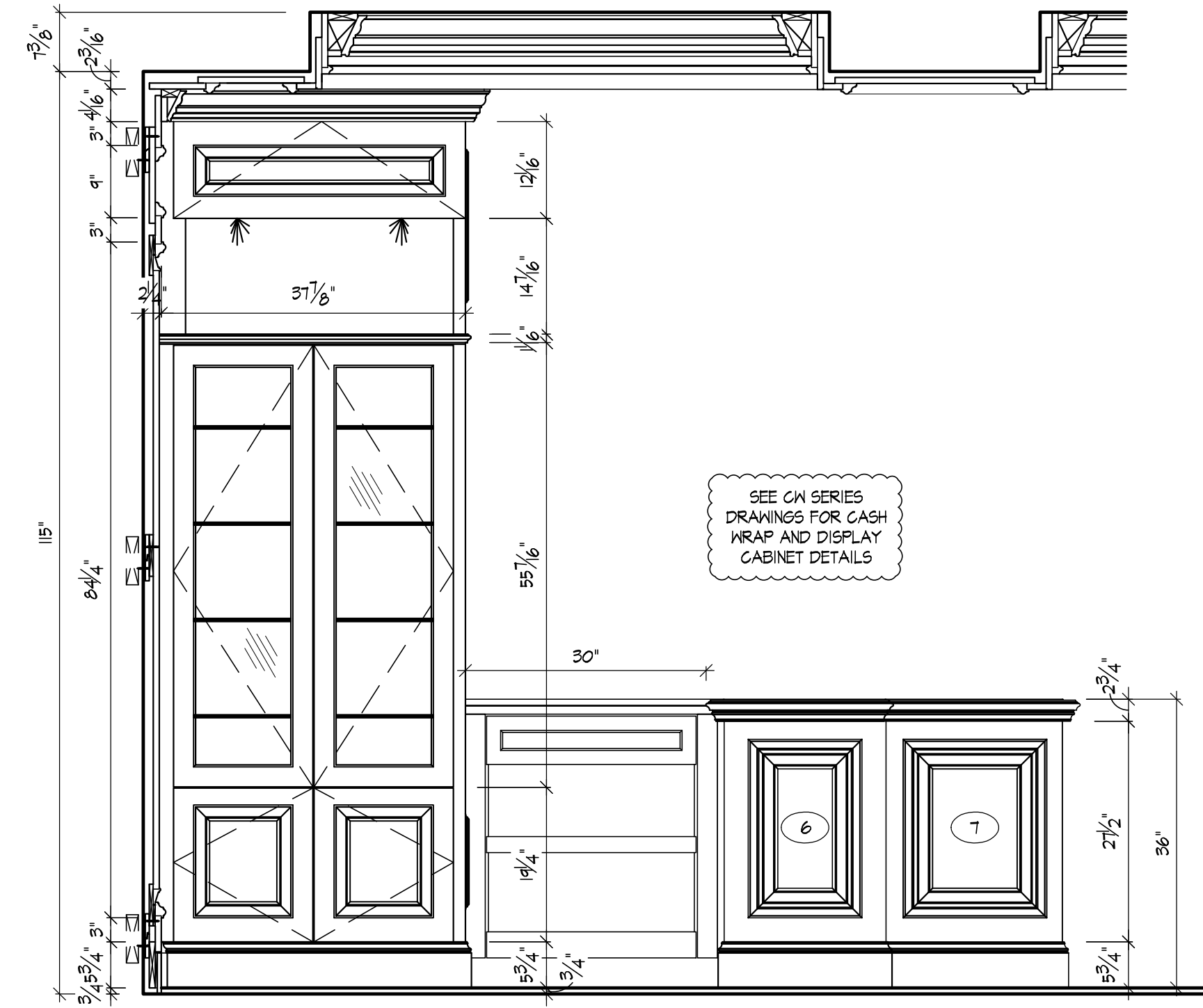
RETAIL

blacks outsourcing, inc.
Architectural Woodwork Engineering
Our business is drawing yours

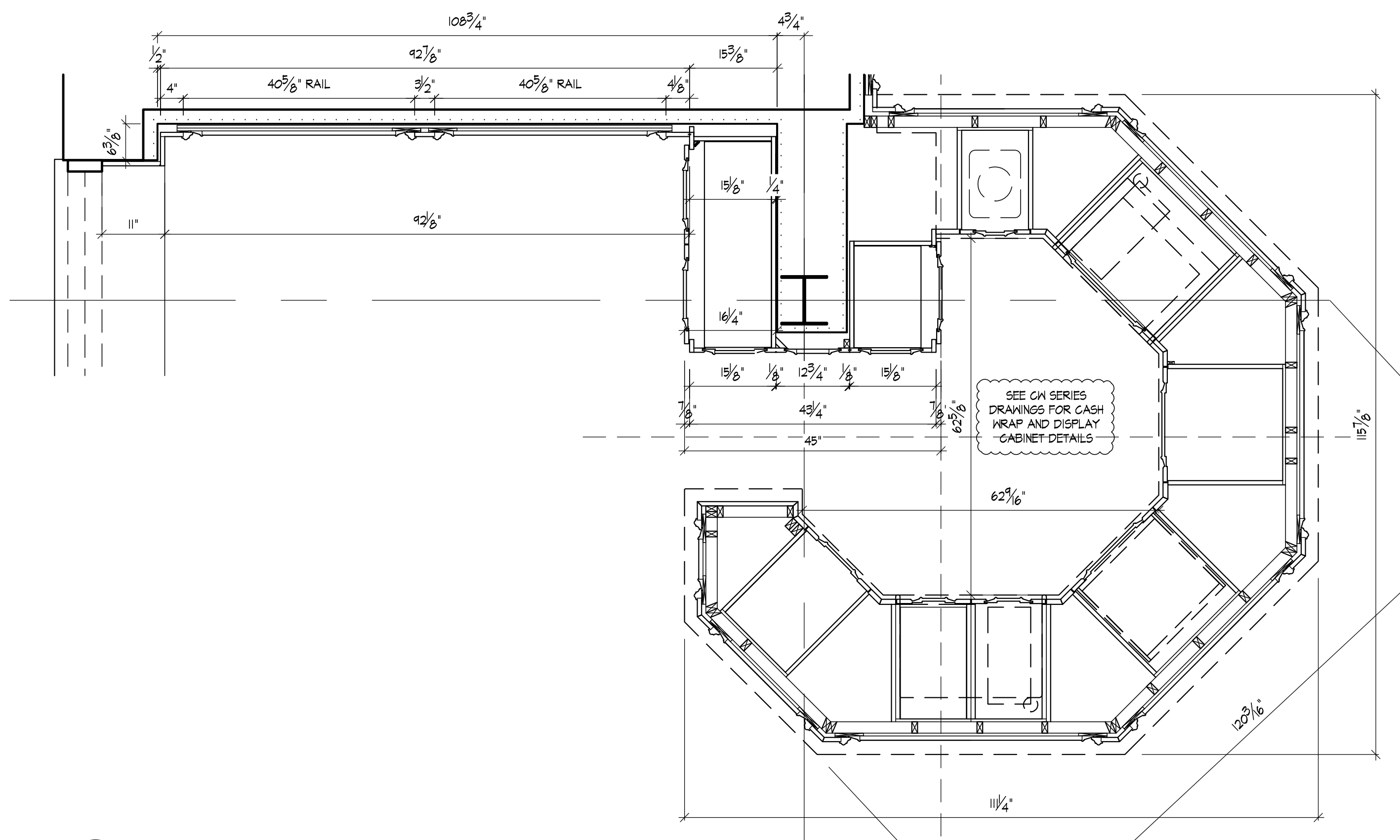
RCP



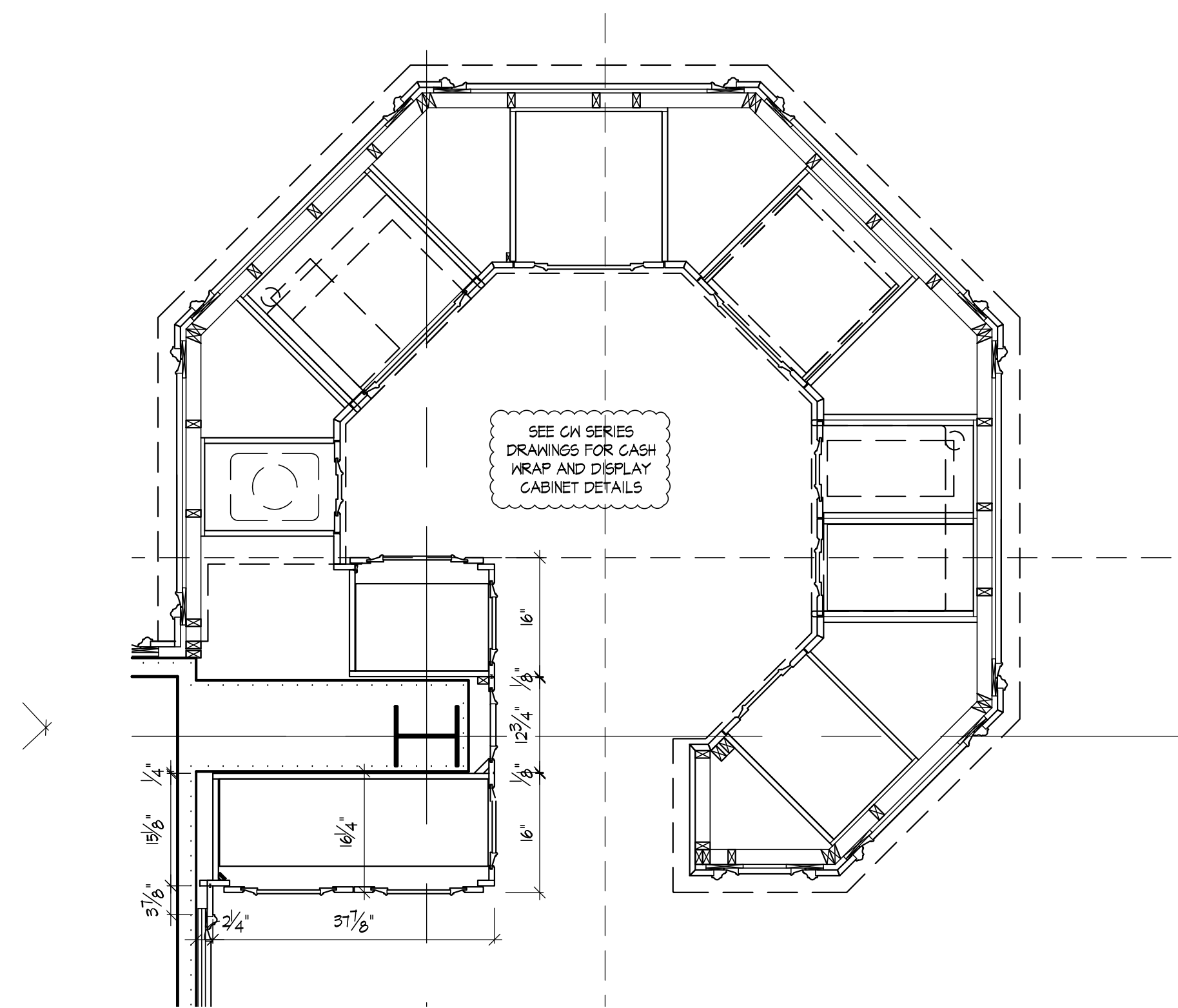
1 ELEVATION:
2 SCALE: 3/4"=12" ARCH. REF.: 2/1



3 ELEVATION:
2 SCALE: 3/4"=12" ARCH. REF.: 3/1

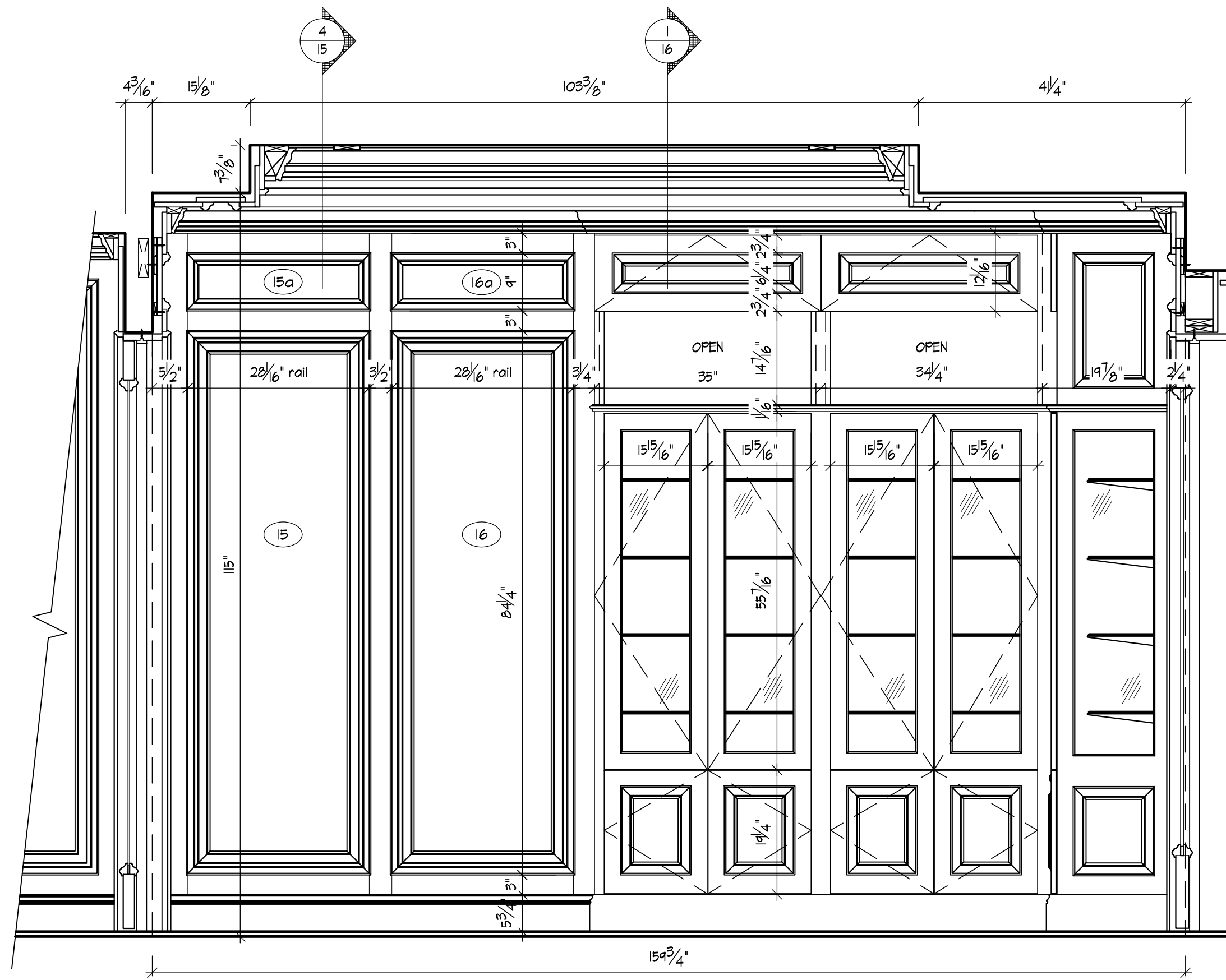


2 PLAN:
2 SCALE: 3/4"=12" ARCH. REF.: -

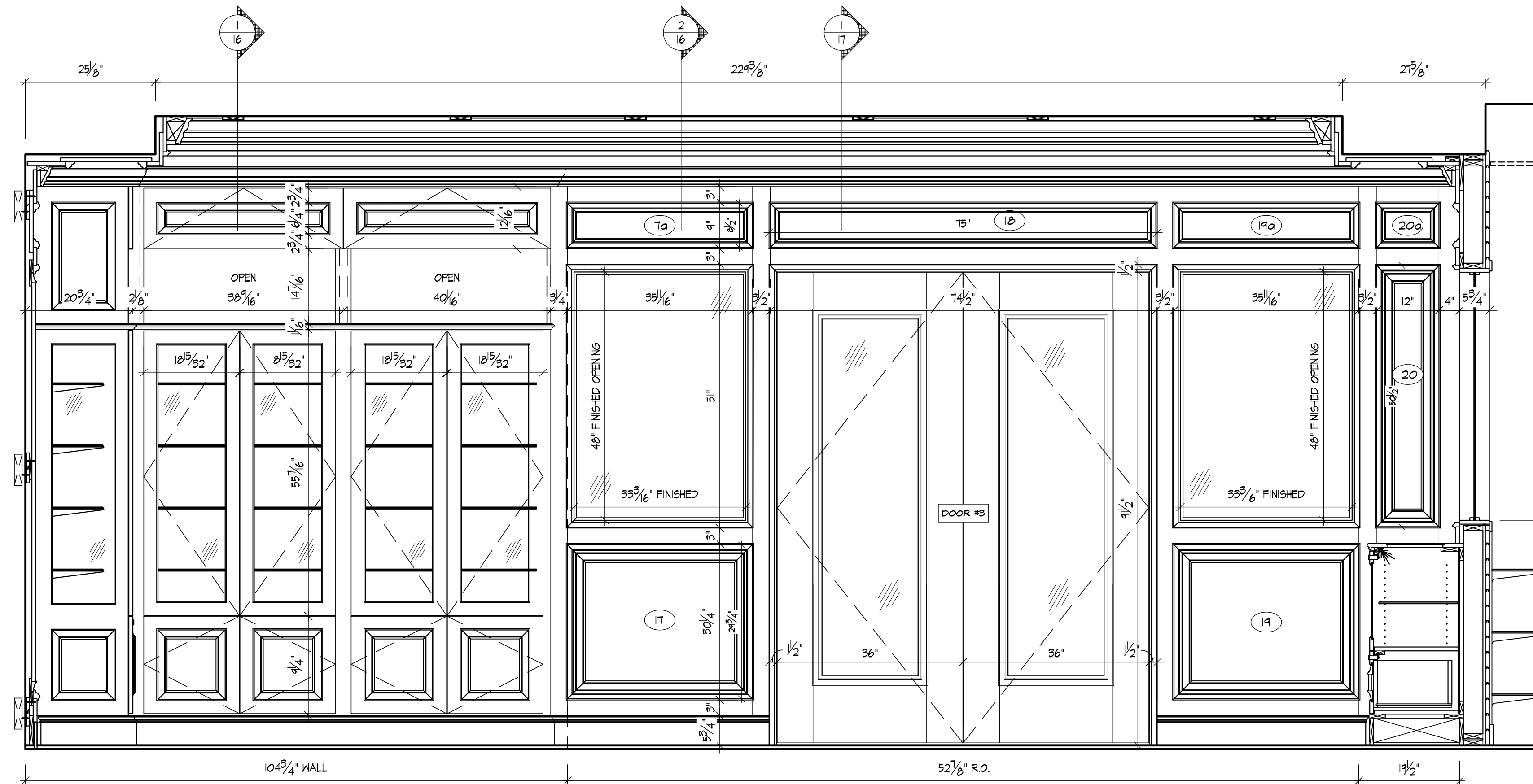


4 PLAN:
2 SCALE: 3/4"=12" ARCH. REF.: -

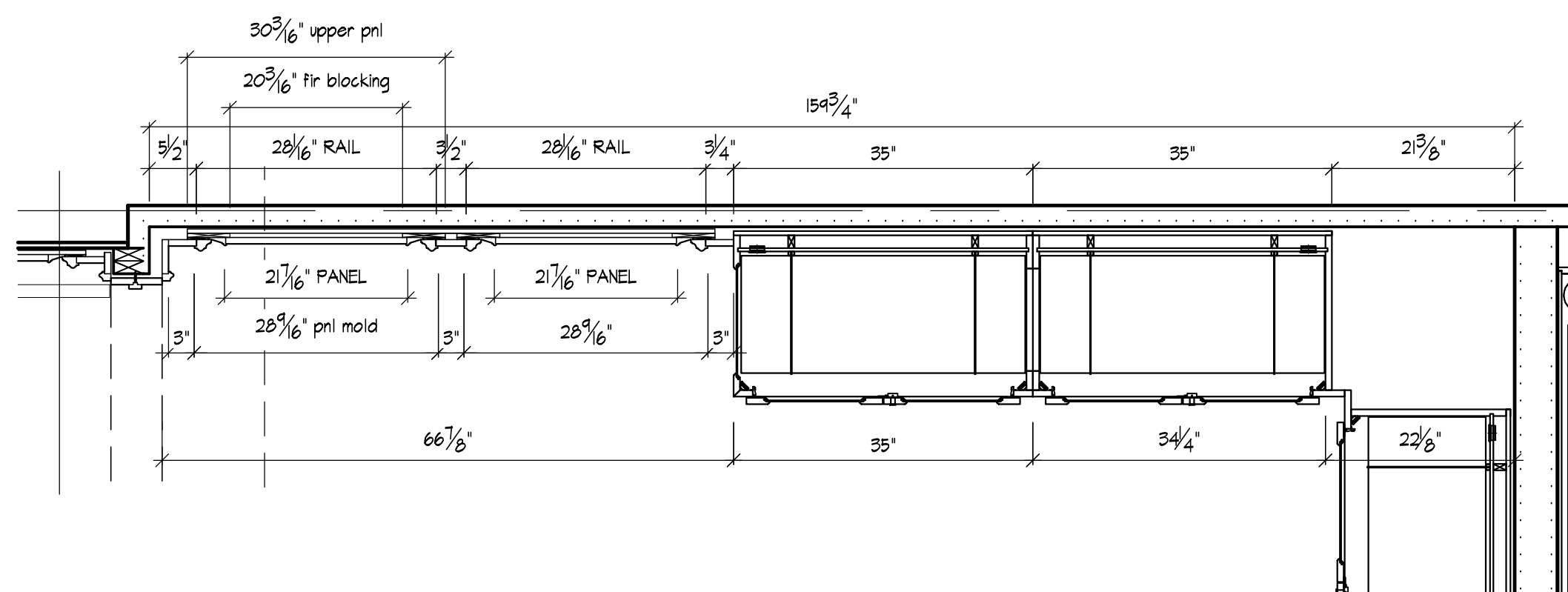
RETAIL



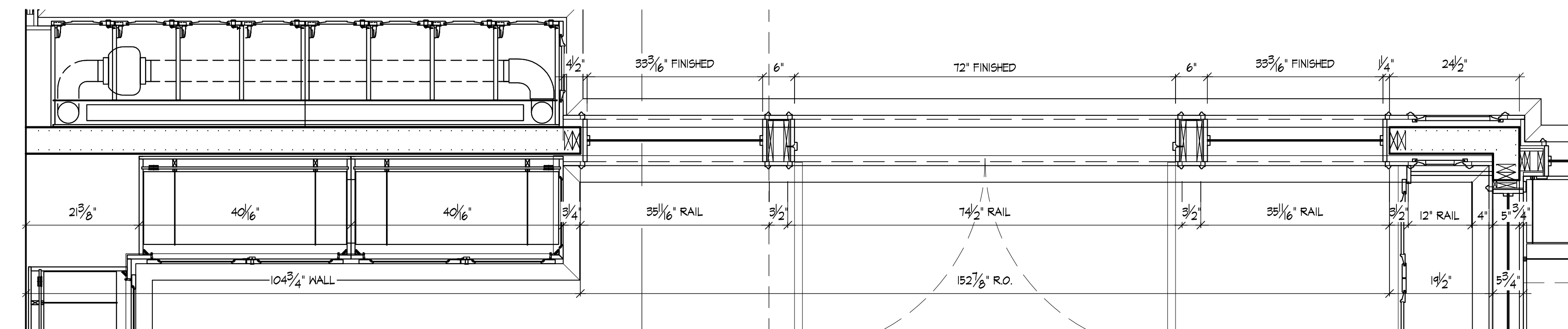
1 ELEVATION:
5 SCALE: 3/4"=12' ARCH. REF.: 1/3



3 ELEVATION:
5 SCALE: 3/4"=12' ARCH. REF.: 2/3



2 PLAN:
5 SCALE: 3/4"=12' ARCH. REF.: -



4 PLAN:
5 SCALE: 3/4"=12' ARCH. REF.: -

RETAIL

blacks outsourcing, inc.
Architectural Woodwork Engineering
Our business is drawing yours

