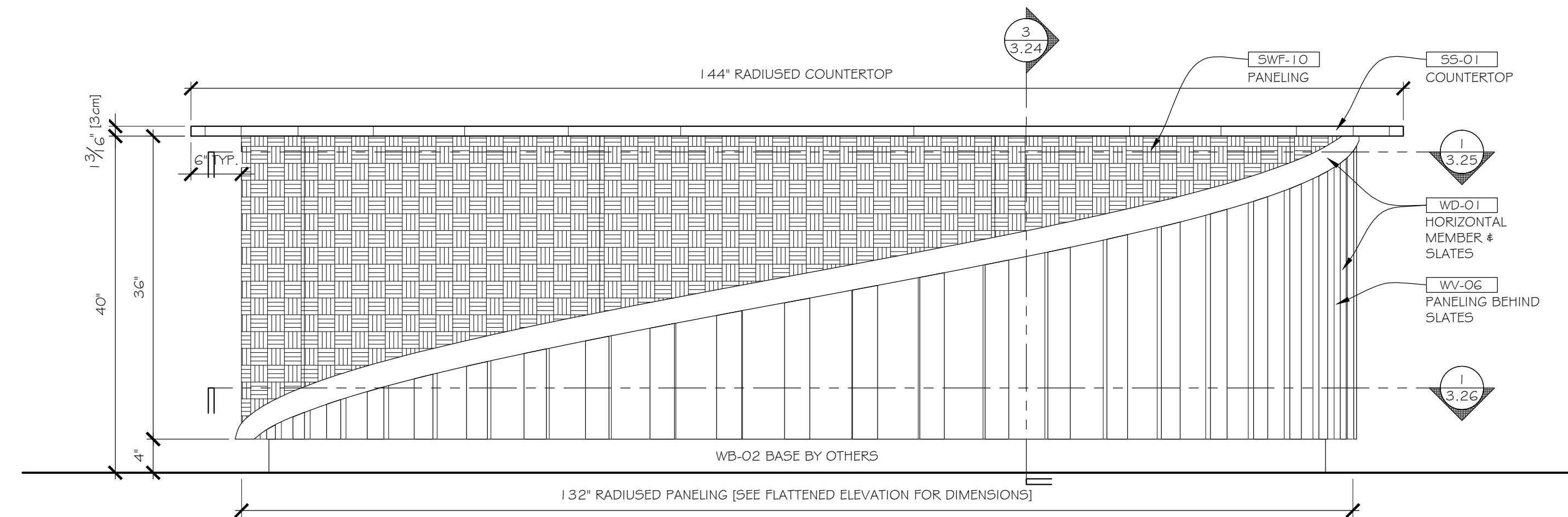
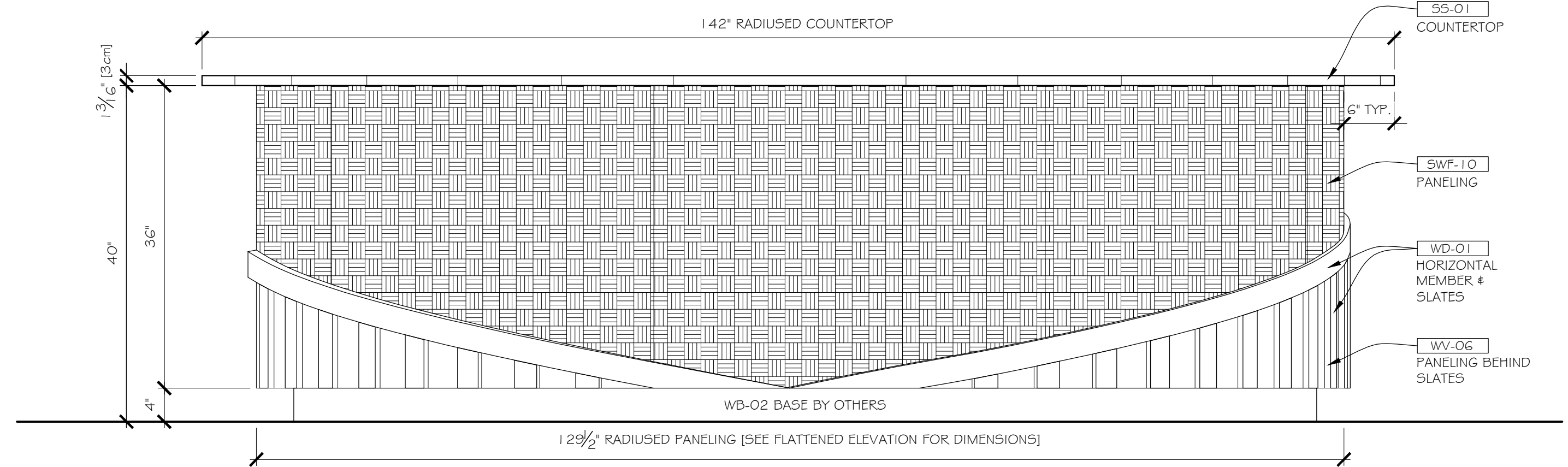


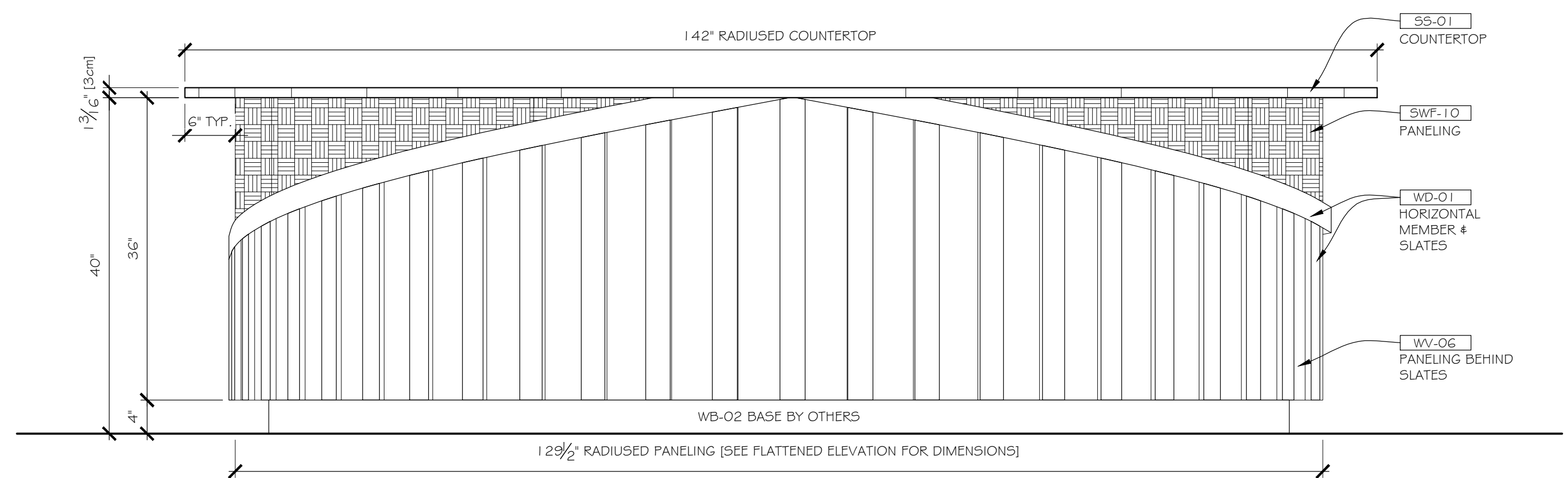
1 PLAN: CASHIER COUNTER  
 3.23 SCALE: 1" = 12" ARCH. REF.: 4/A751



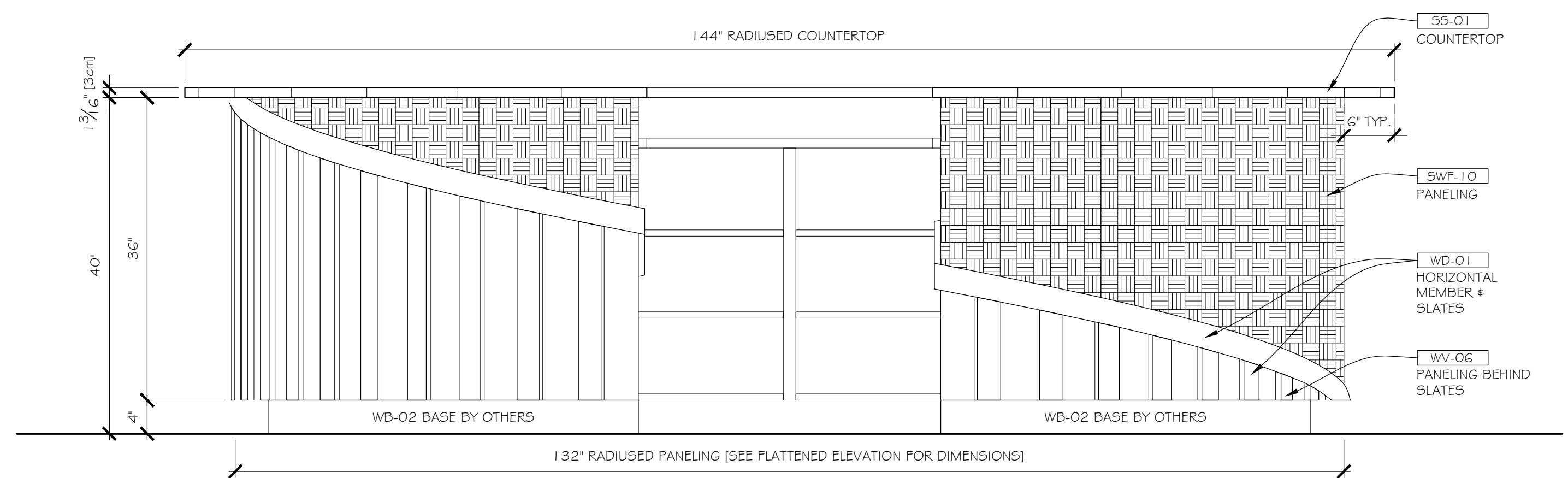
2 ELEVATION:  
 3.23 SCALE: 1" = 12" ARCH. REF.: 6/A751



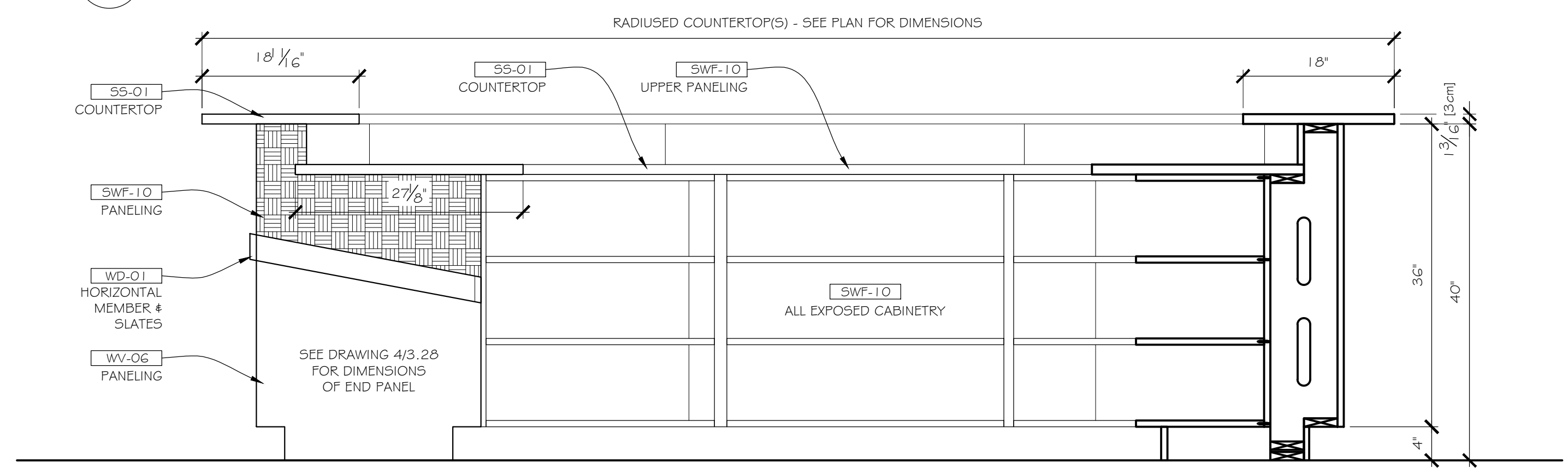
3 ELEVATION:  
 3.23 SCALE: 1" = 12" ARCH. REF.: NONE



4 ELEVATION:  
 3.23 SCALE: 1" = 12" ARCH. REF.: NONE



5 ELEVATION:  
 3.23 SCALE: 1" = 12" ARCH. REF.: NONE

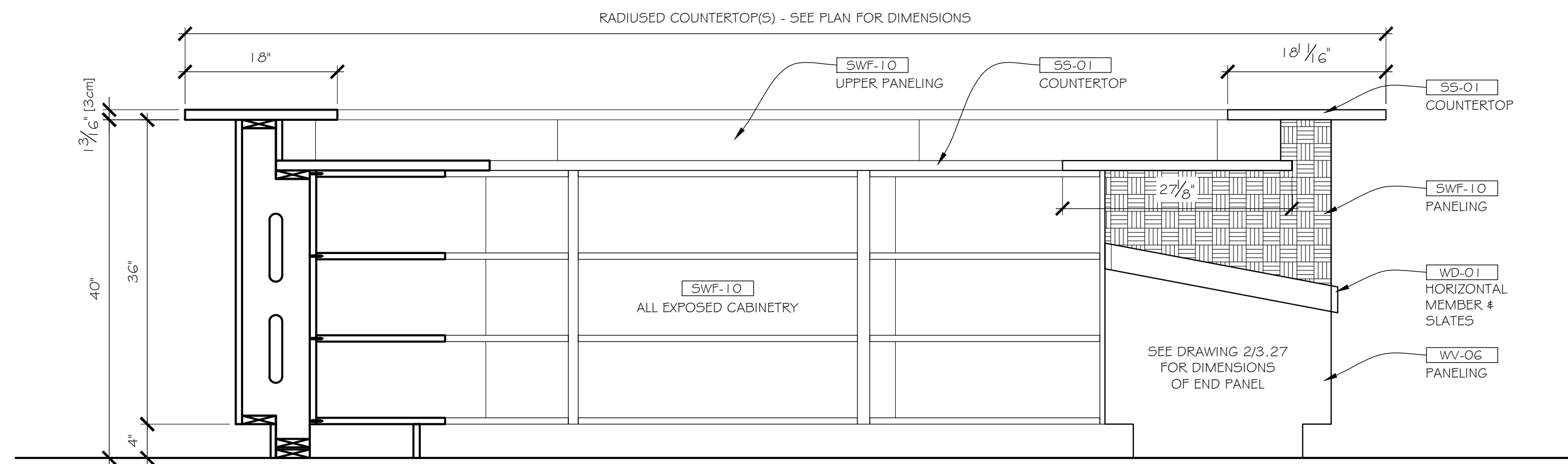


6 ELEVATION:  
 3.23 SCALE: 1" = 12" ARCH. REF.: NONE

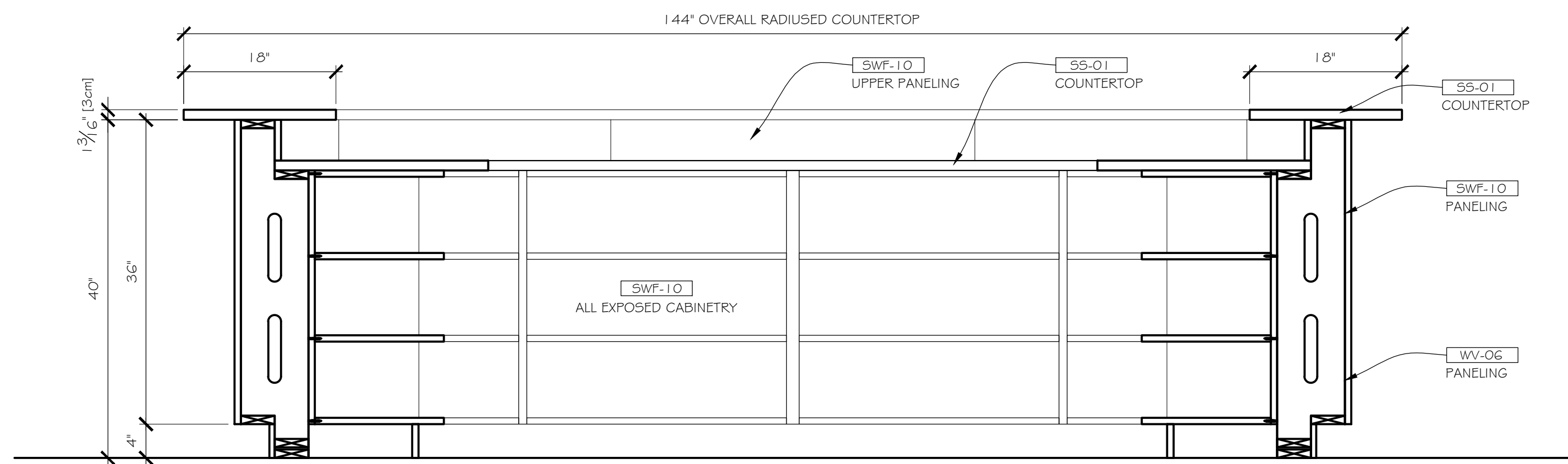
GAMING

**blacks outsourcing, inc.**  
 Architectural Woodwork Engineering  
 Our business is drawing yours

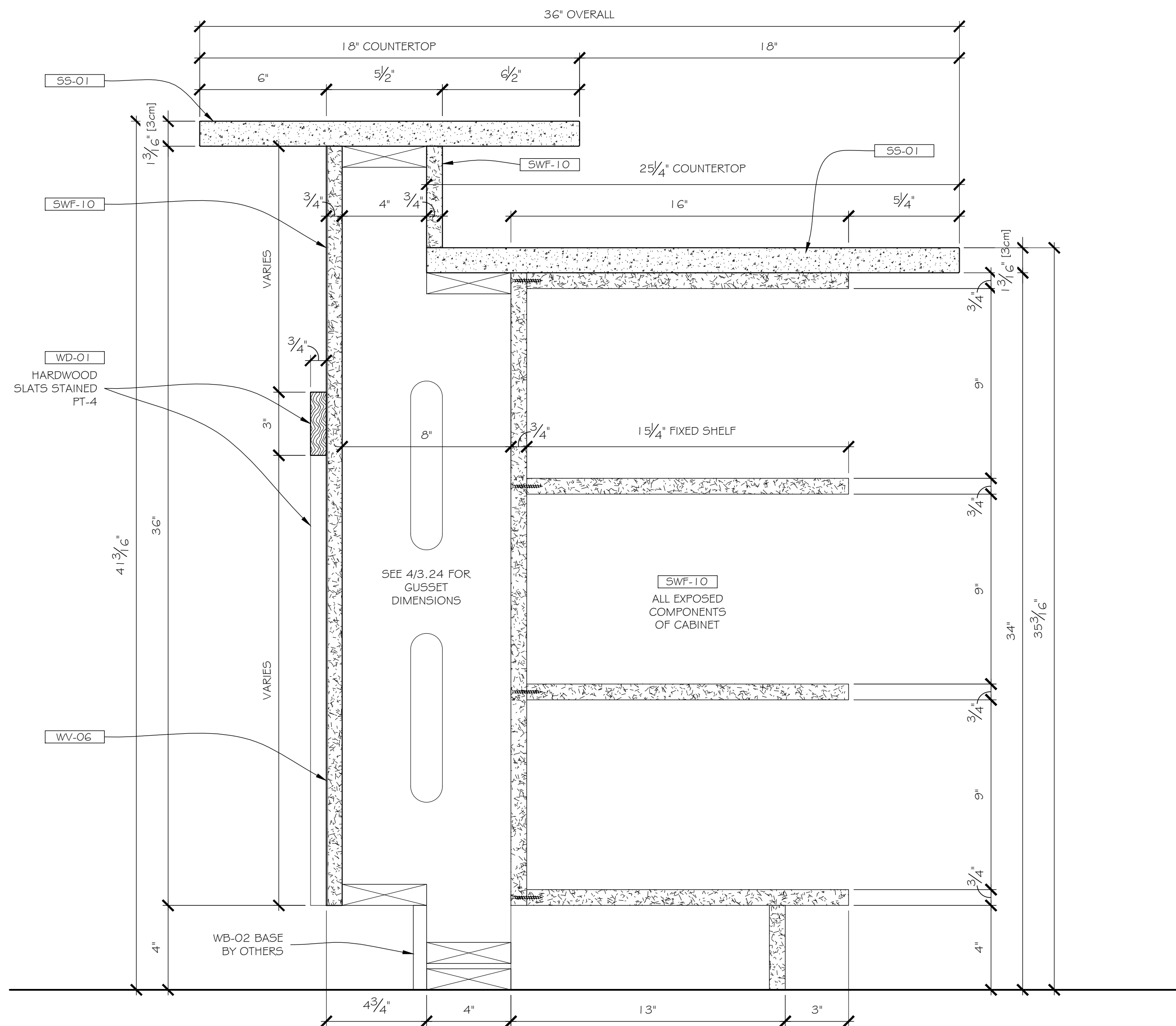
3.23



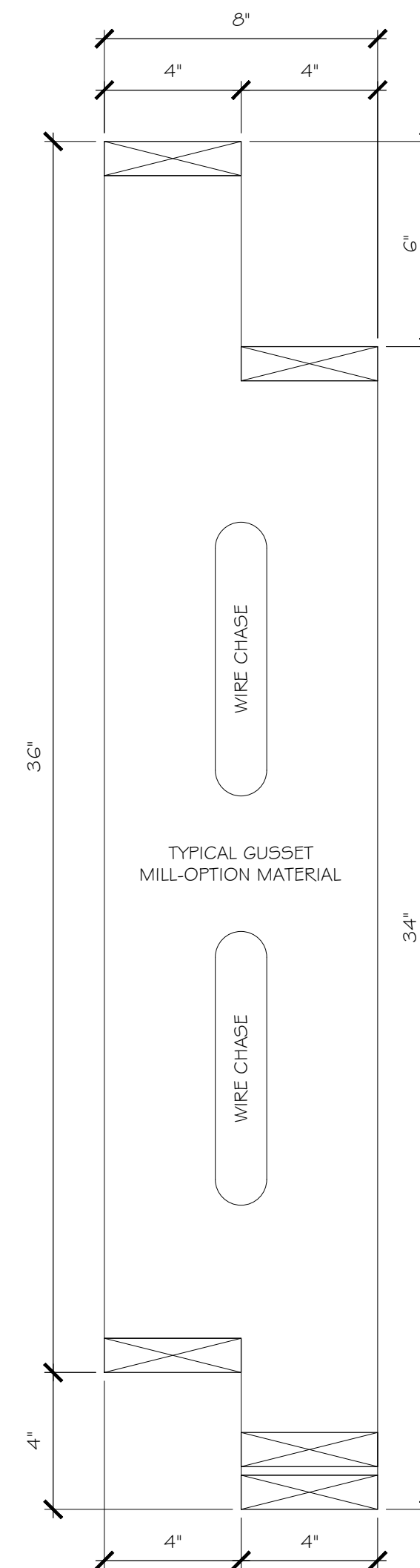
1 ELEVATION:  
3.24 SCALE: 1" = 12" ARCH. REF.: NONE



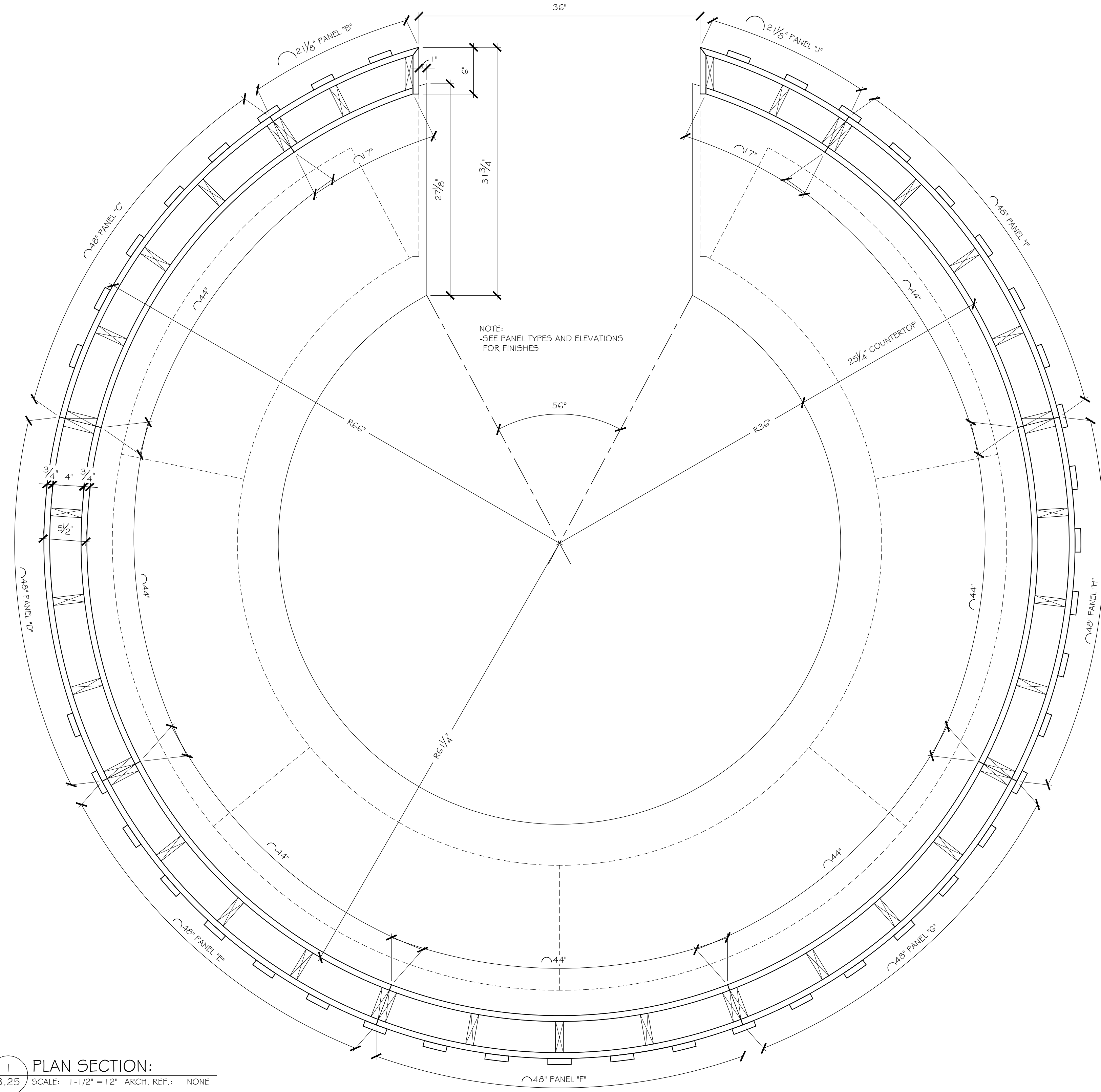
2 ELEVATION:  
3.24 SCALE: 1" = 12" ARCH. REF.: NONE



3 SECTION:  
3.24 SCALE: 3" = 12" ARCH. REF.: 2/A751 SIM.



4 DETAIL: TYP. GUSSET  
3.24 SCALE: 3" = 12" ARCH. REF.: NONE

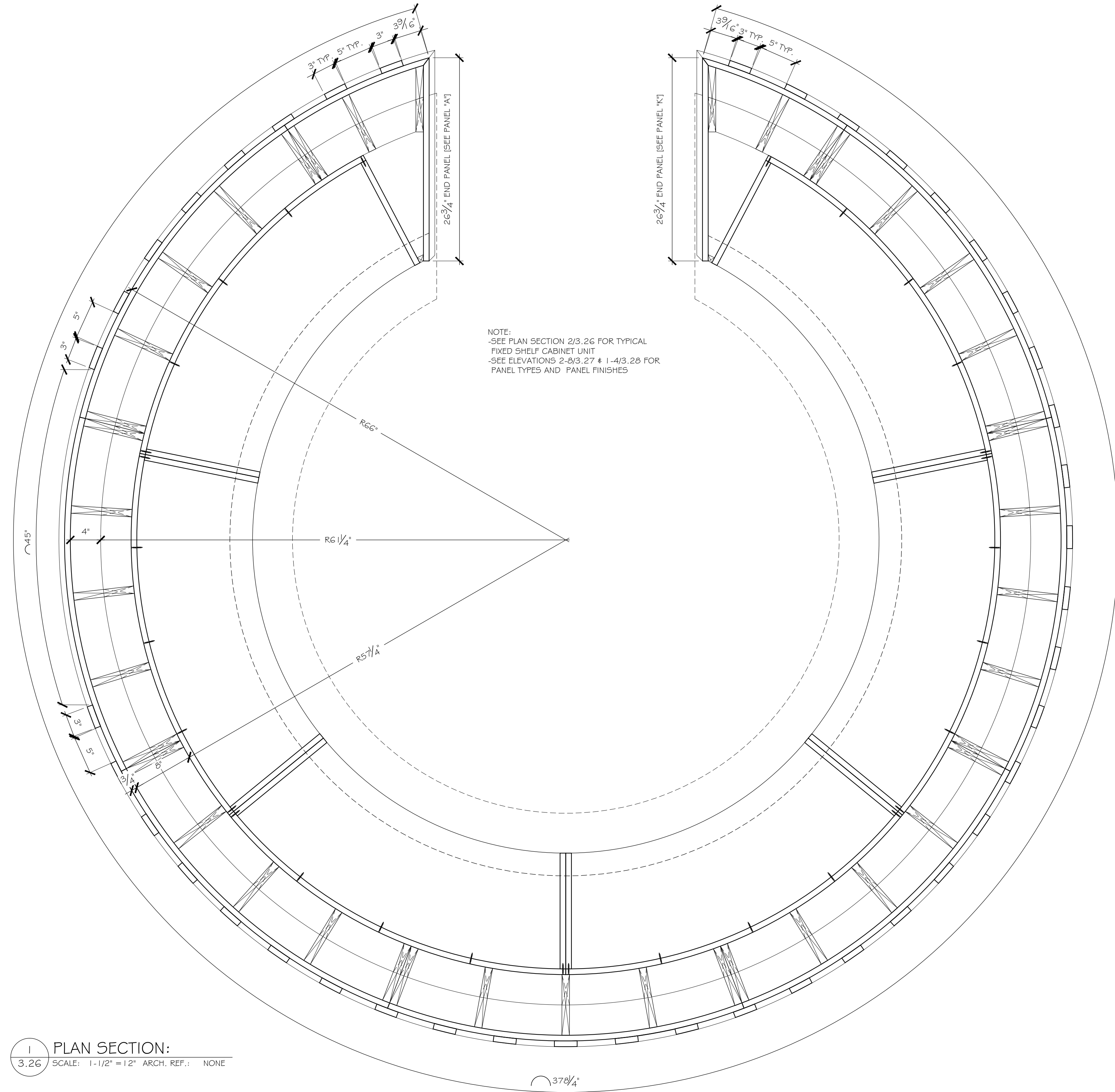


NOTE:  
-SEE PANEL TYPES AND ELEVATIONS  
FOR FINISHES

1 PLAN SECTION:  
3.25 SCALE: 1-1/2" = 12" ARCH. REF.: NONE

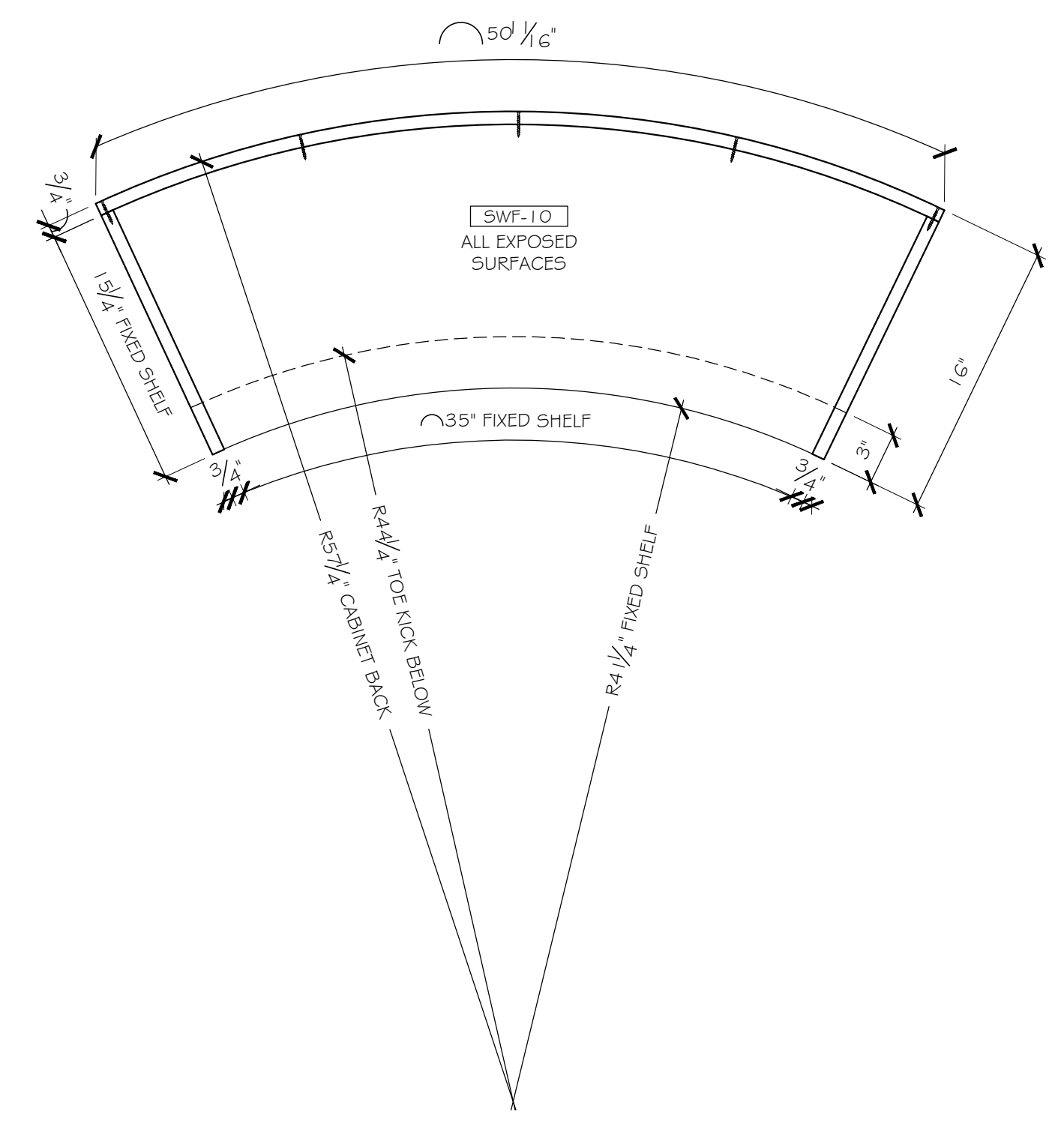
# GAMING

**blacks outsourcing, inc.**  
Architectural Woodwork Engineering  
Our business is drawing yours



NOTE:  
 -SEE PLAN SECTION 2/3.26 FOR TYPICAL  
 FIXED SHELF CABINET UNIT  
 -SEE ELEVATIONS 2-0/3.27 & 1-4/3.28 FOR  
 PANEL TYPES AND PANEL FINISHES

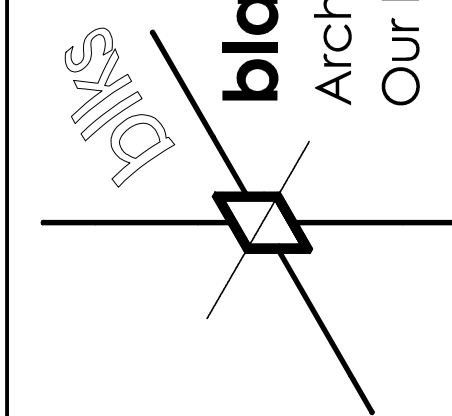
1 PLAN SECTION:  
 3.26 SCALE: 1-1/2" = 12" ARCH. REF.: NONE

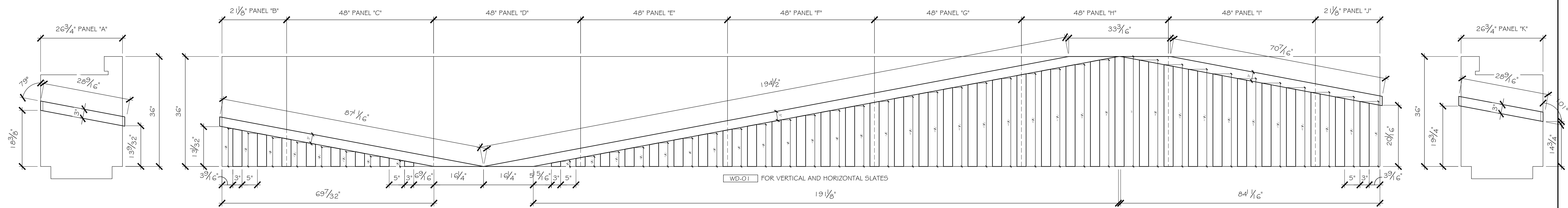


2 PLAN SECTION: TYP. CABINET UNIT  
 3.26 SCALE: 1-1/2" = 12" ARCH. REF.: NONE

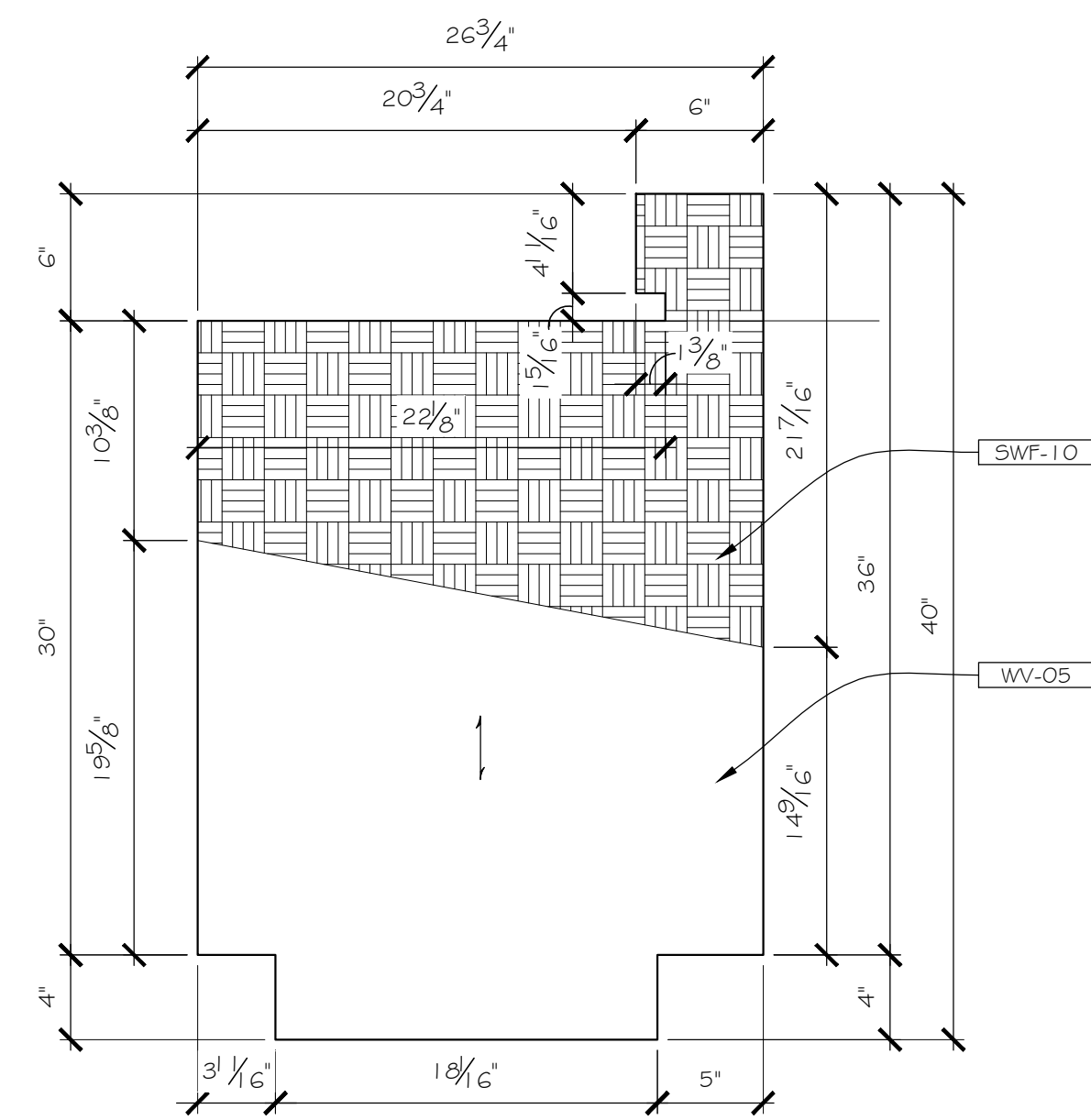
# GAMING

**blacks outsourcing, inc.**  
 Architectural Woodwork Engineering  
 Our business is drawing yours

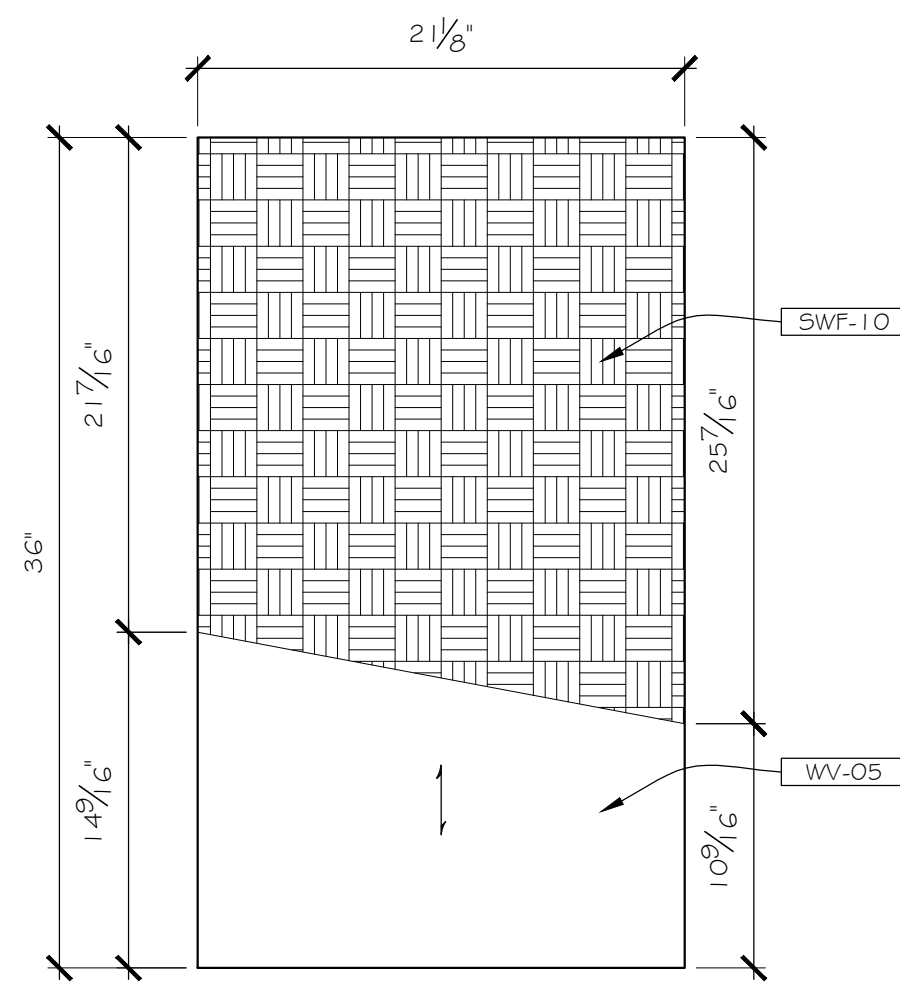




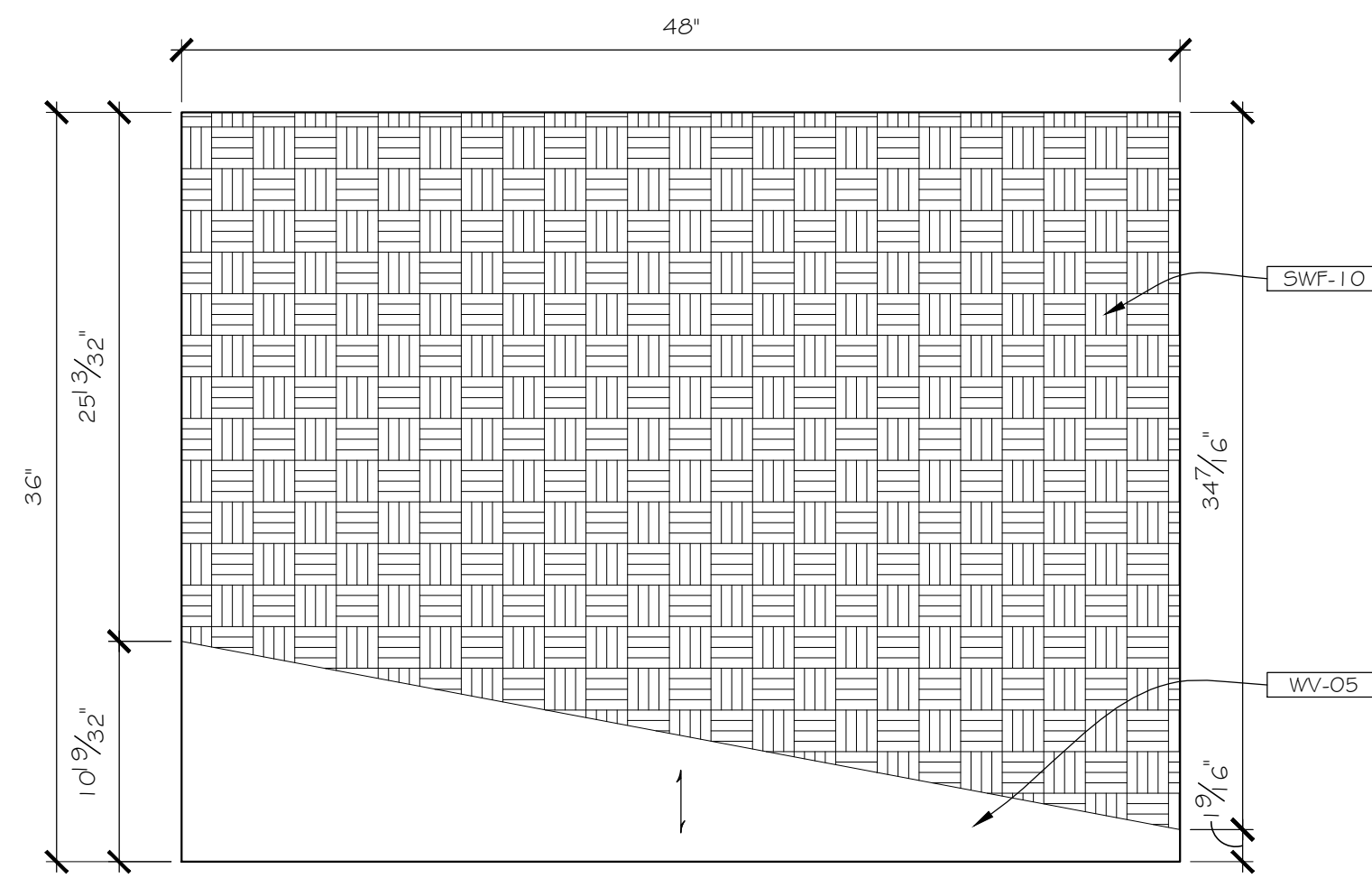
1 ELEVATION: TYPICAL SLATE LAYOUT  
3.27 SCALE: 3/4" = 12" ARCH. REF.: NONE



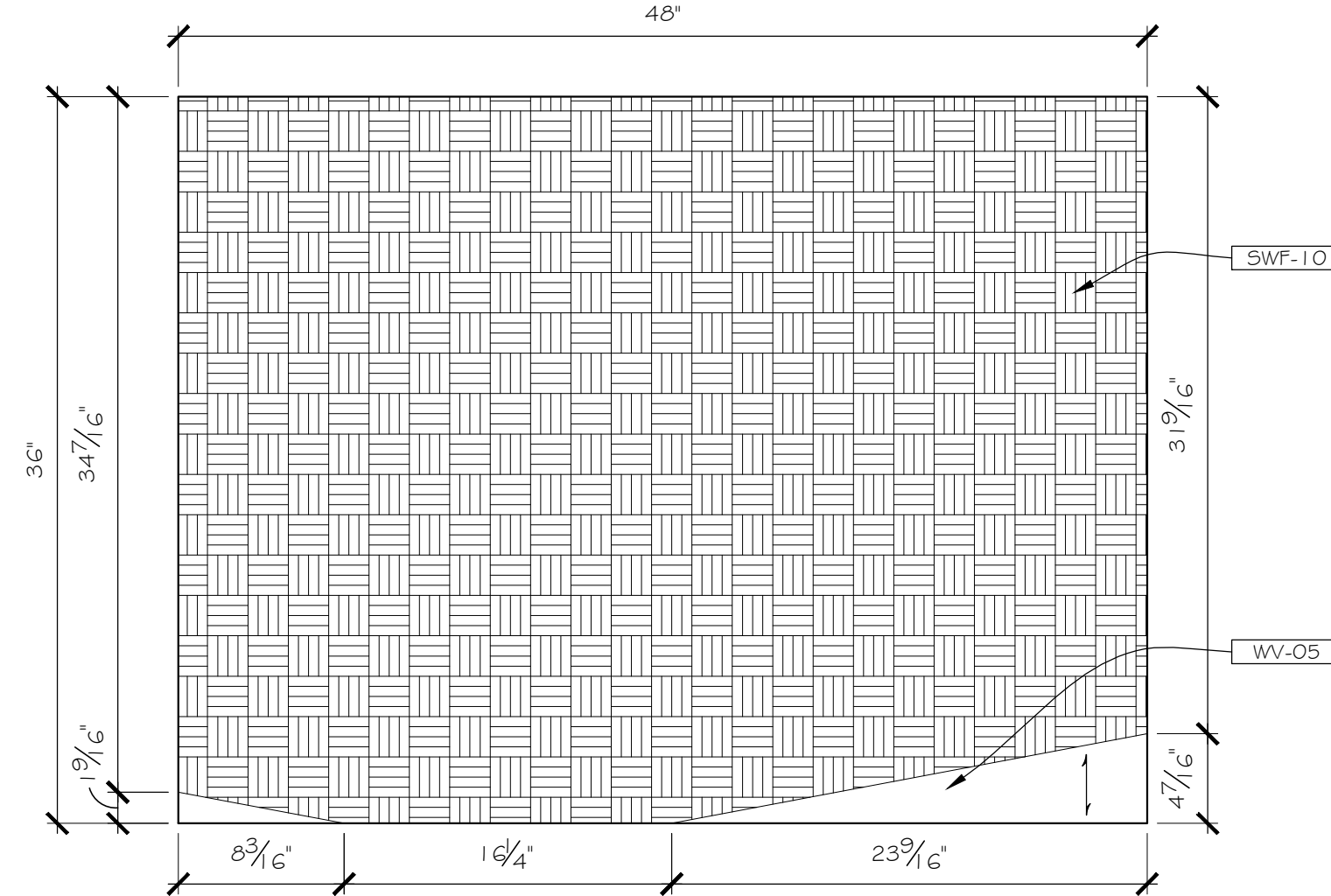
2 ELEVATION: PANEL "A"  
3.27 SCALE: 1-1/2" = 12" ARCH. REF.: NONE



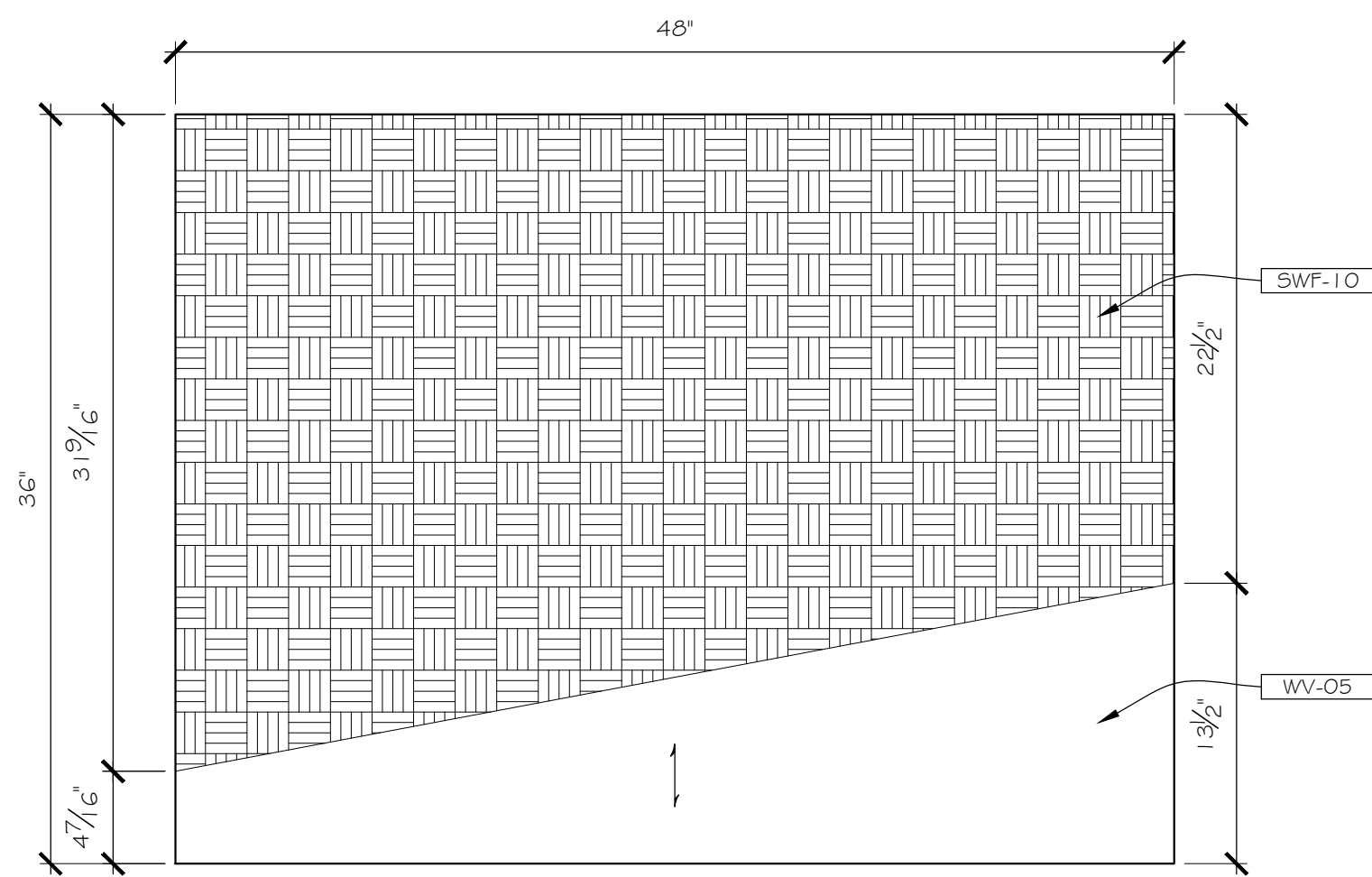
3 ELEVATION: PANEL "B"  
3.27 SCALE: 1-1/2" = 12" ARCH. REF.: NONE



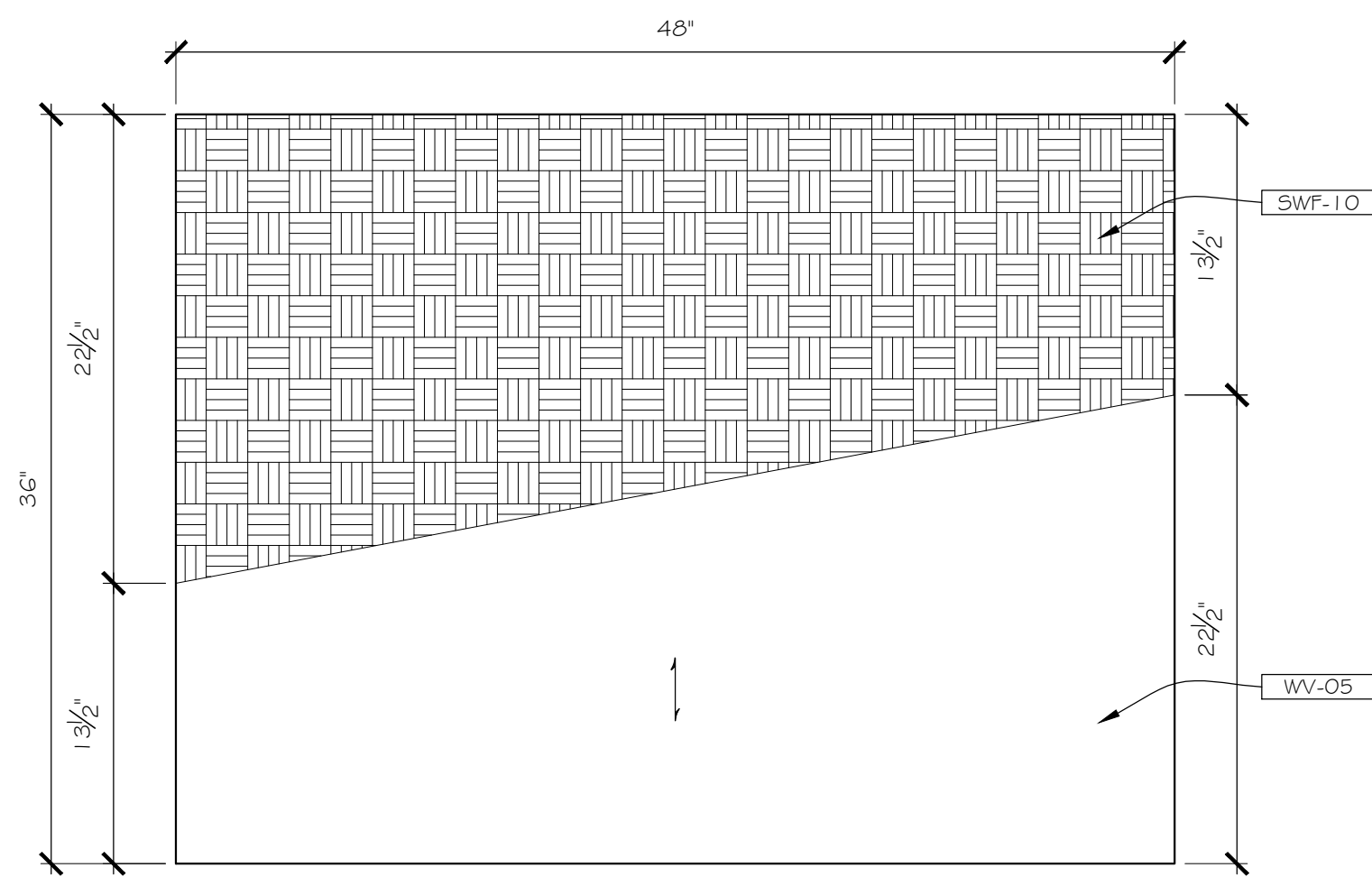
4 ELEVATION: PANEL "C"  
3.27 SCALE: 1-1/2" = 12" ARCH. REF.: NONE



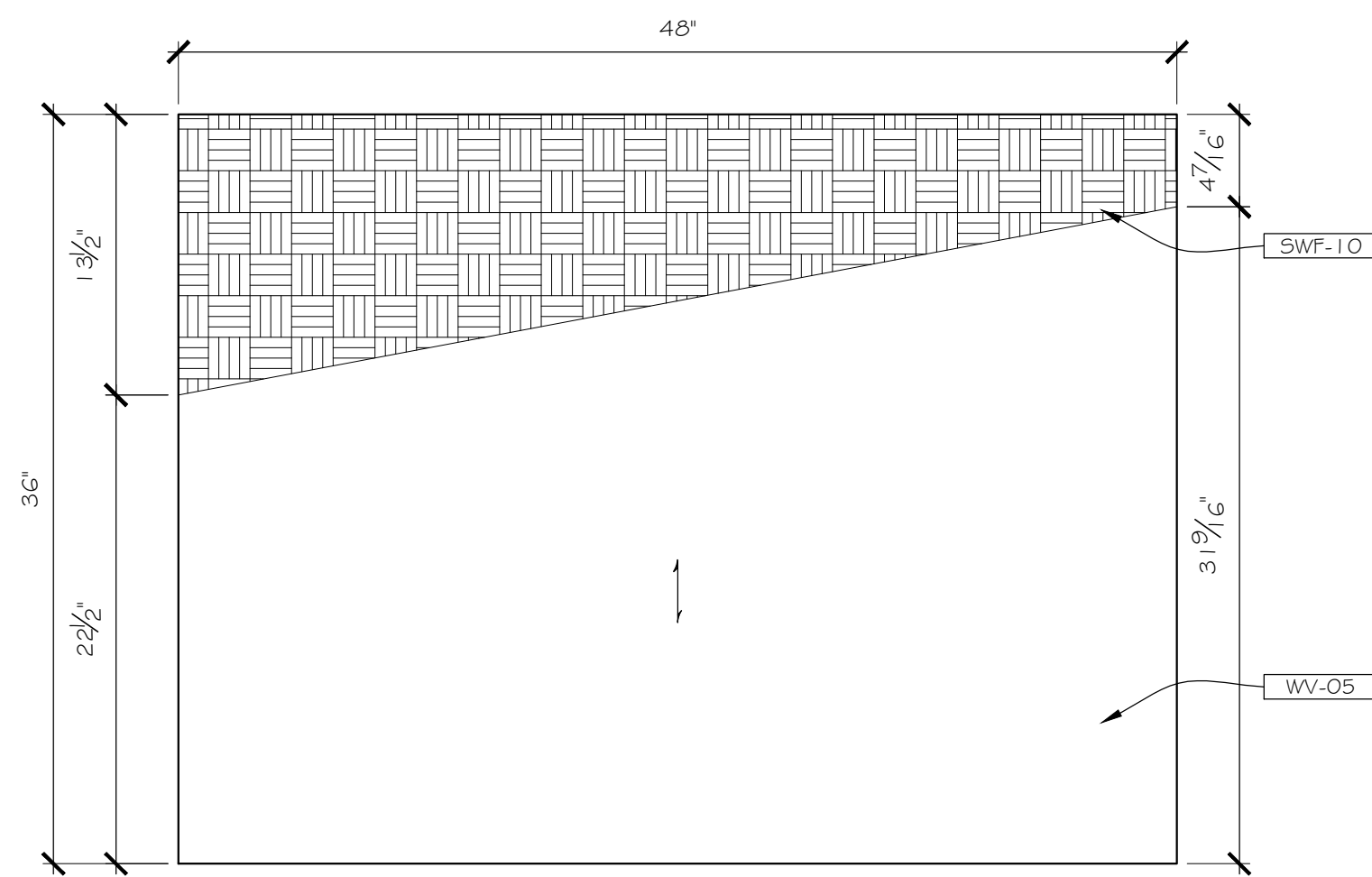
5 ELEVATION: PANEL "D"  
3.27 SCALE: 1-1/2" = 12" ARCH. REF.: NONE



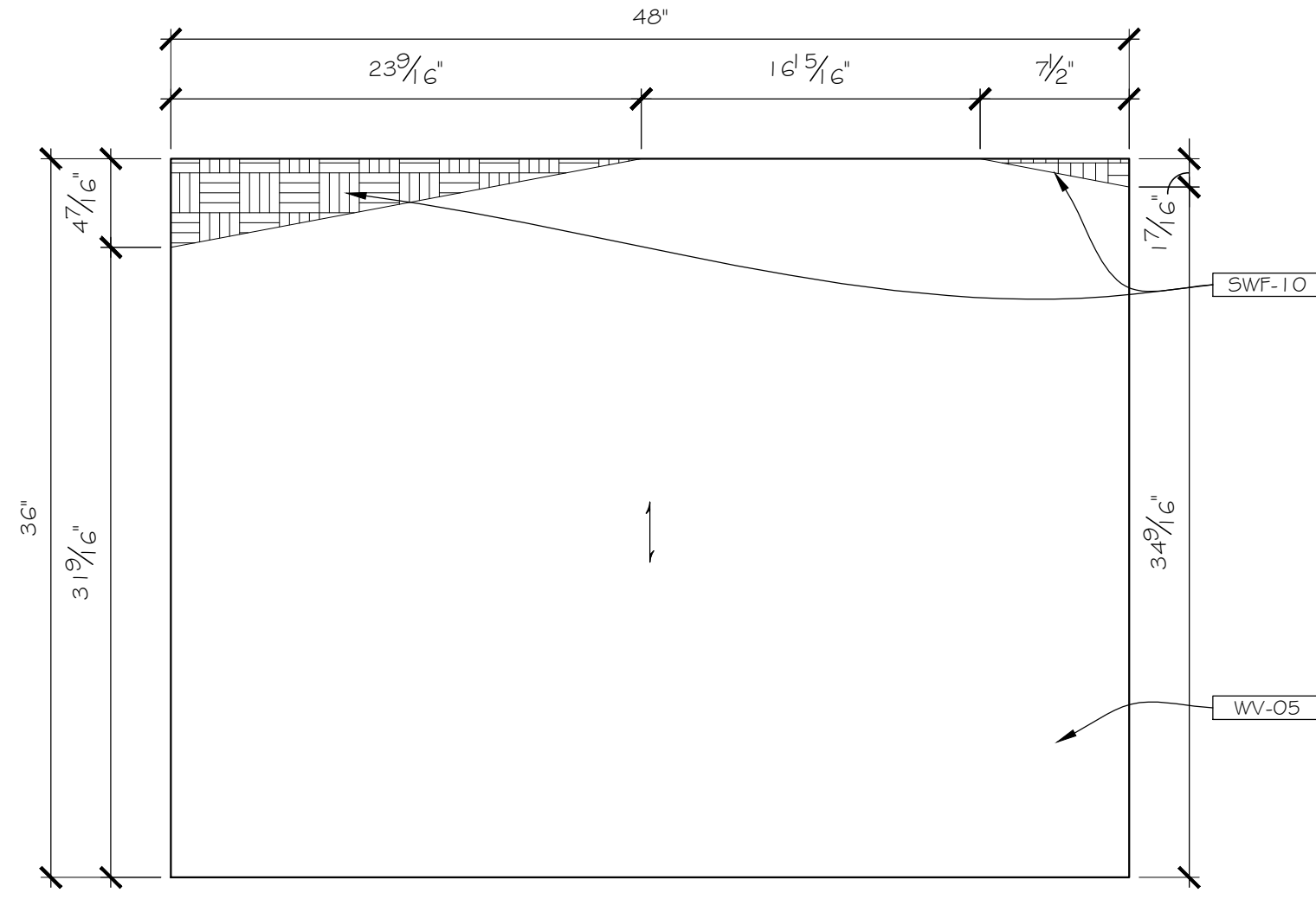
6 ELEVATION: PANEL "E"  
3.27 SCALE: 1-1/2" = 12" ARCH. REF.: NONE



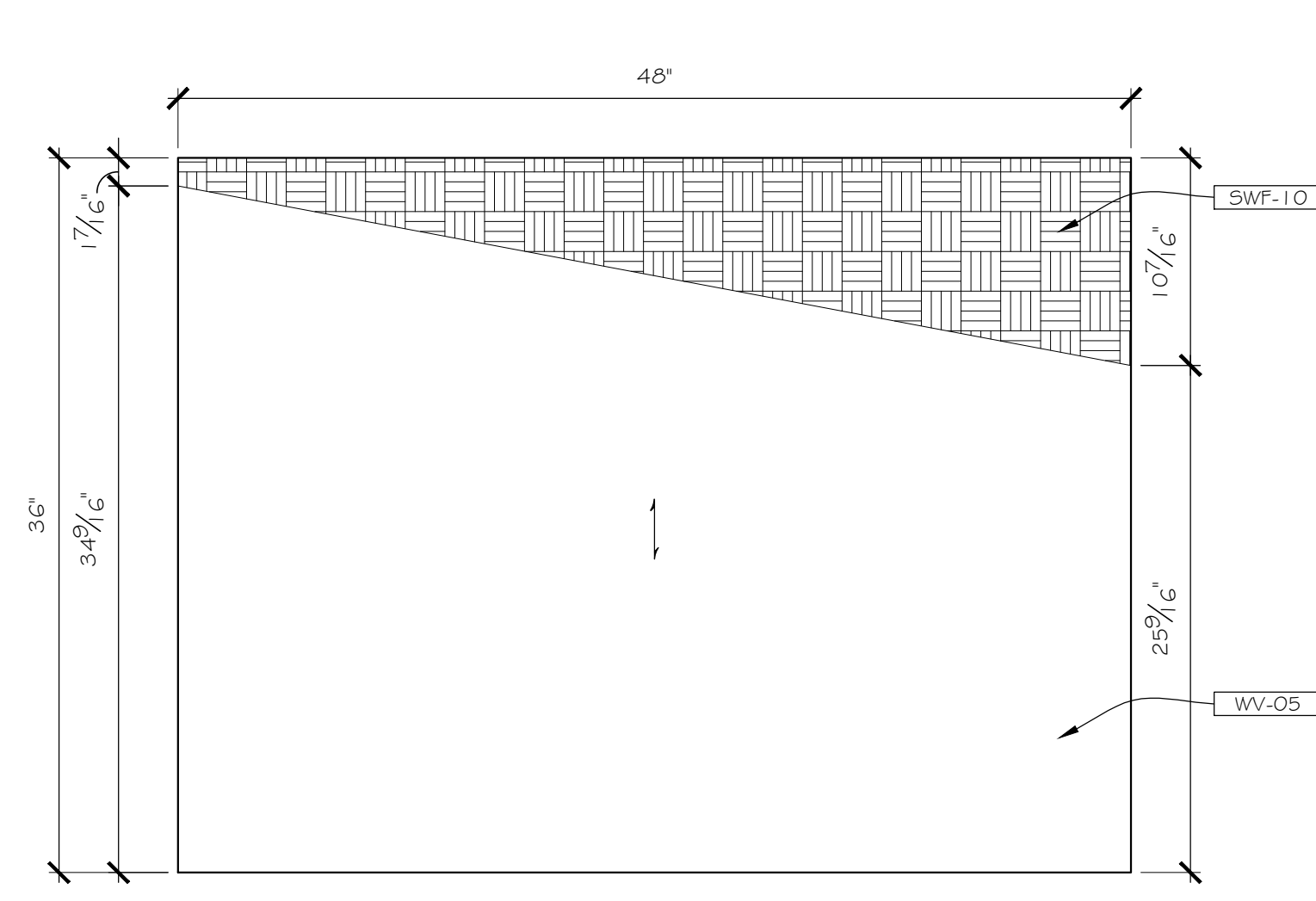
7 ELEVATION: PANEL "F"  
3.27 SCALE: 1-1/2" = 12" ARCH. REF.: NONE



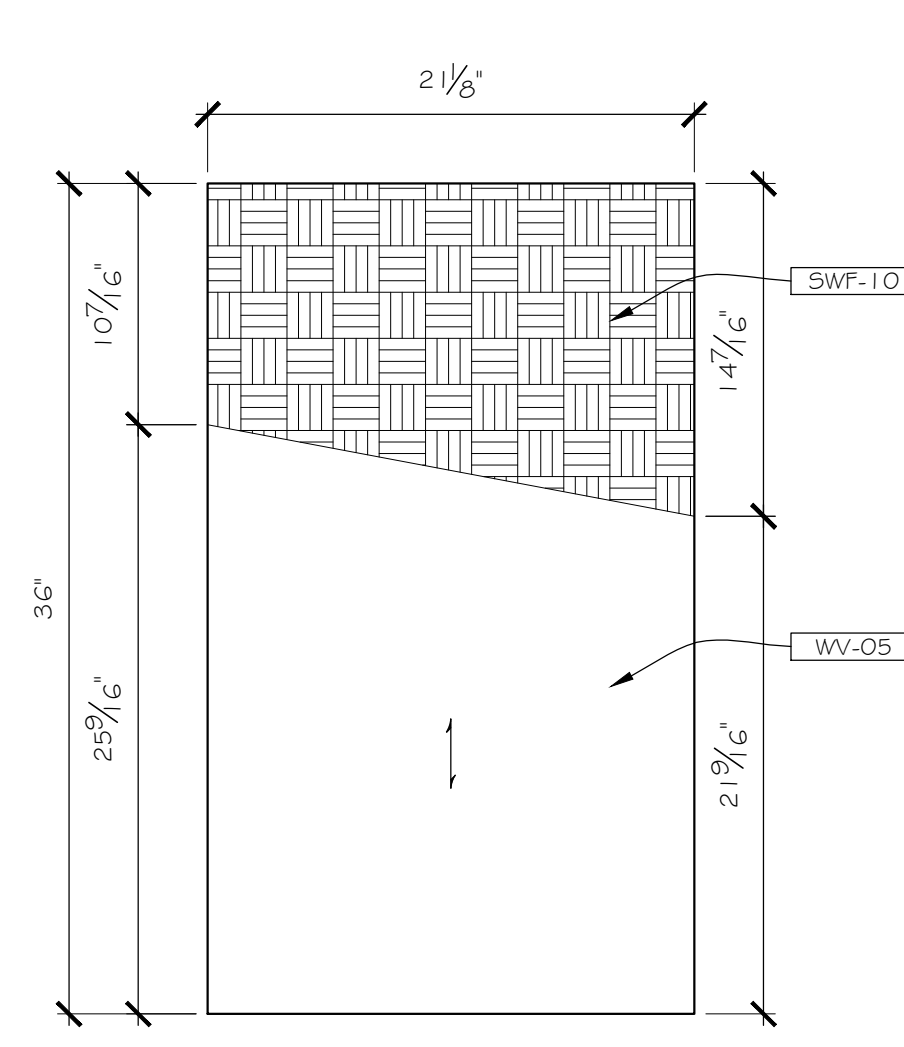
8 ELEVATION: PANEL "G"  
3.27 SCALE: 1-1/2" = 12" ARCH. REF.: NONE



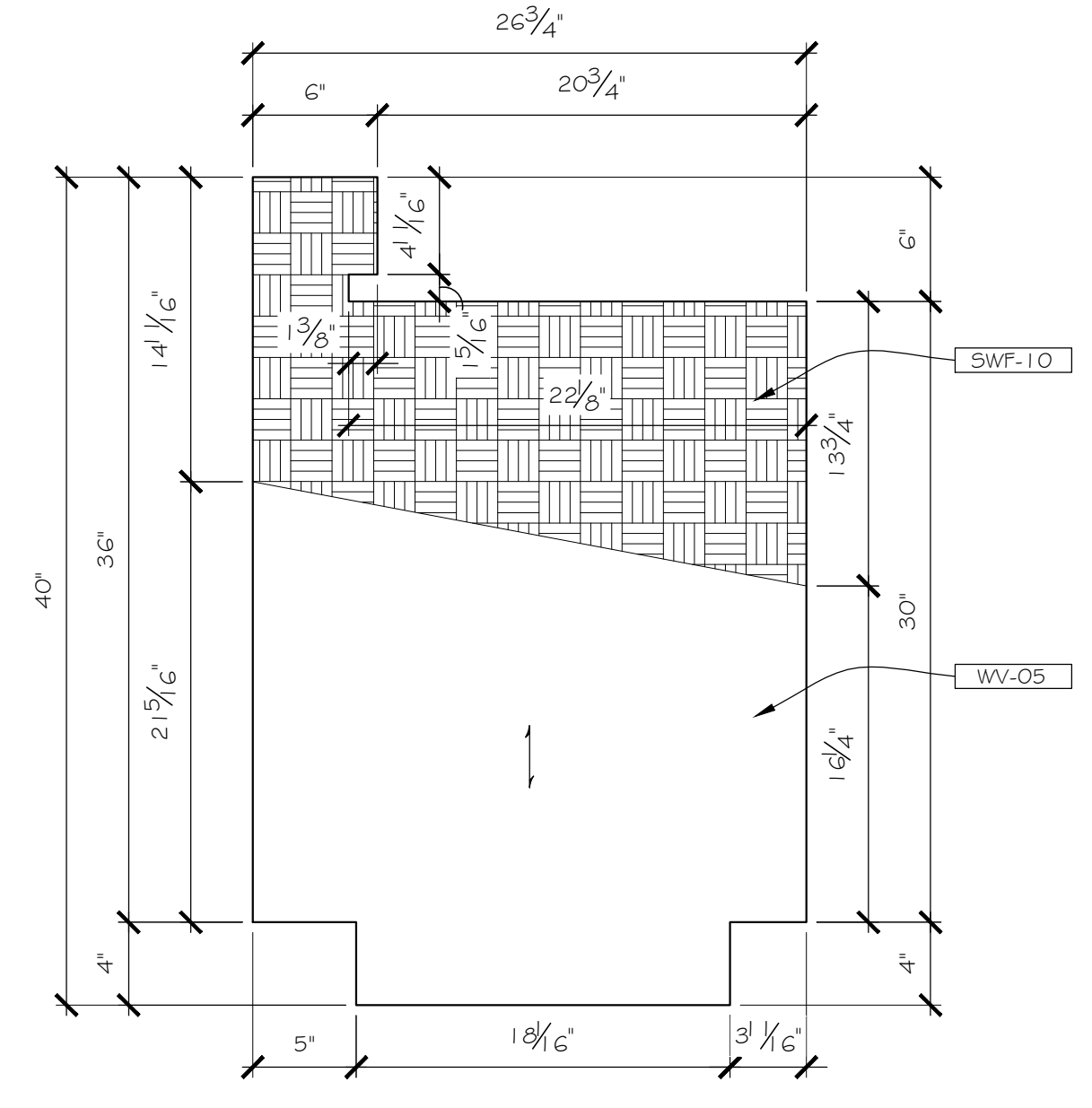
1 ELEVATION: PANEL "H"  
 3.28 SCALE: 1-1/2" = 12" ARCH. REF.: NONE



2 ELEVATION: PANEL "I"  
 3.28 SCALE: 1-1/2" = 12" ARCH. REF.: NONE

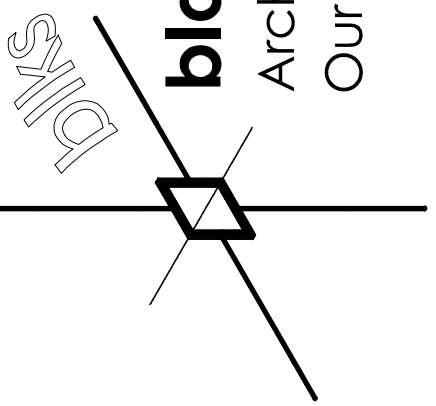


3 ELEVATION: PANEL "J"  
 3.28 SCALE: 1-1/2" = 12" ARCH. REF.: NONE



4 ELEVATION: PANEL "K"  
 3.28 SCALE: 1-1/2" = 12" ARCH. REF.: NONE

# GAMING



**blacks outsourcing, inc.**  
 Architectural Woodwork Engineering  
 Our business is drawing yours