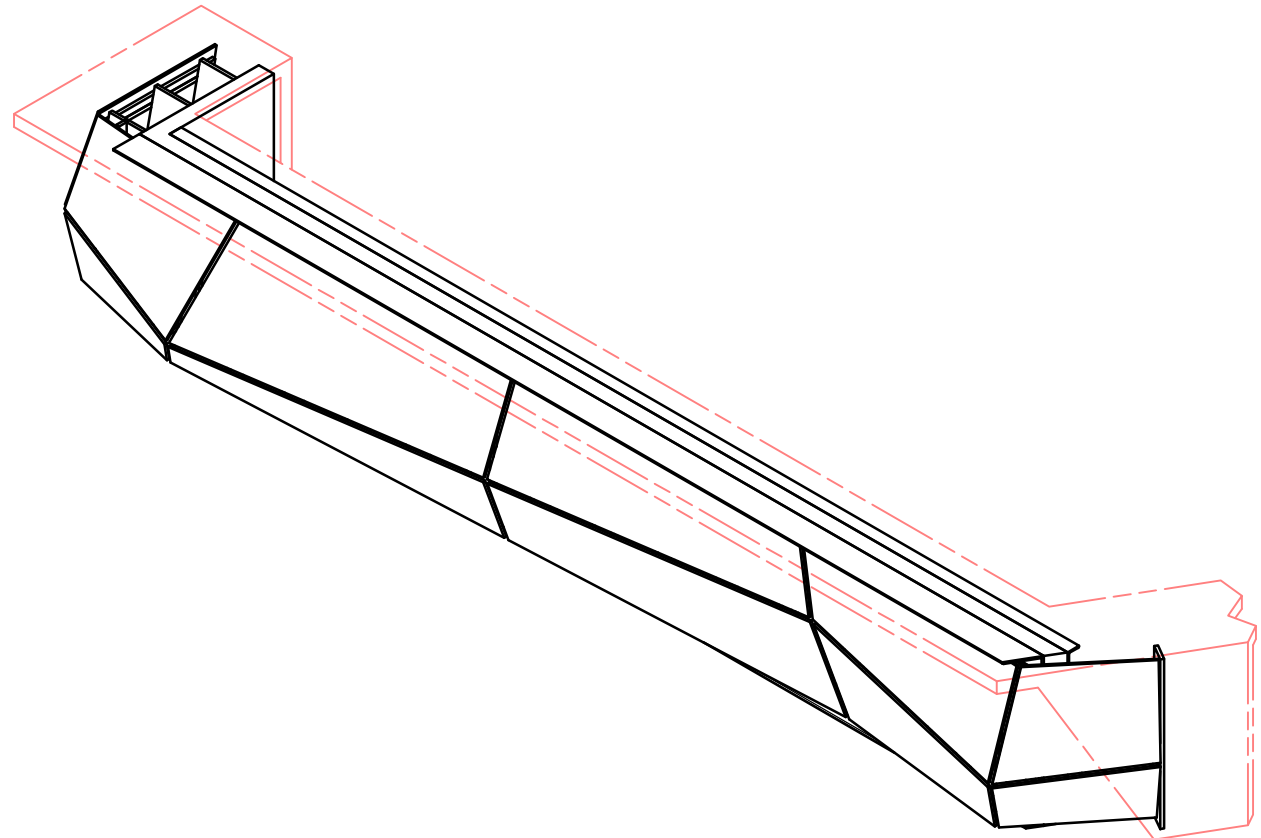
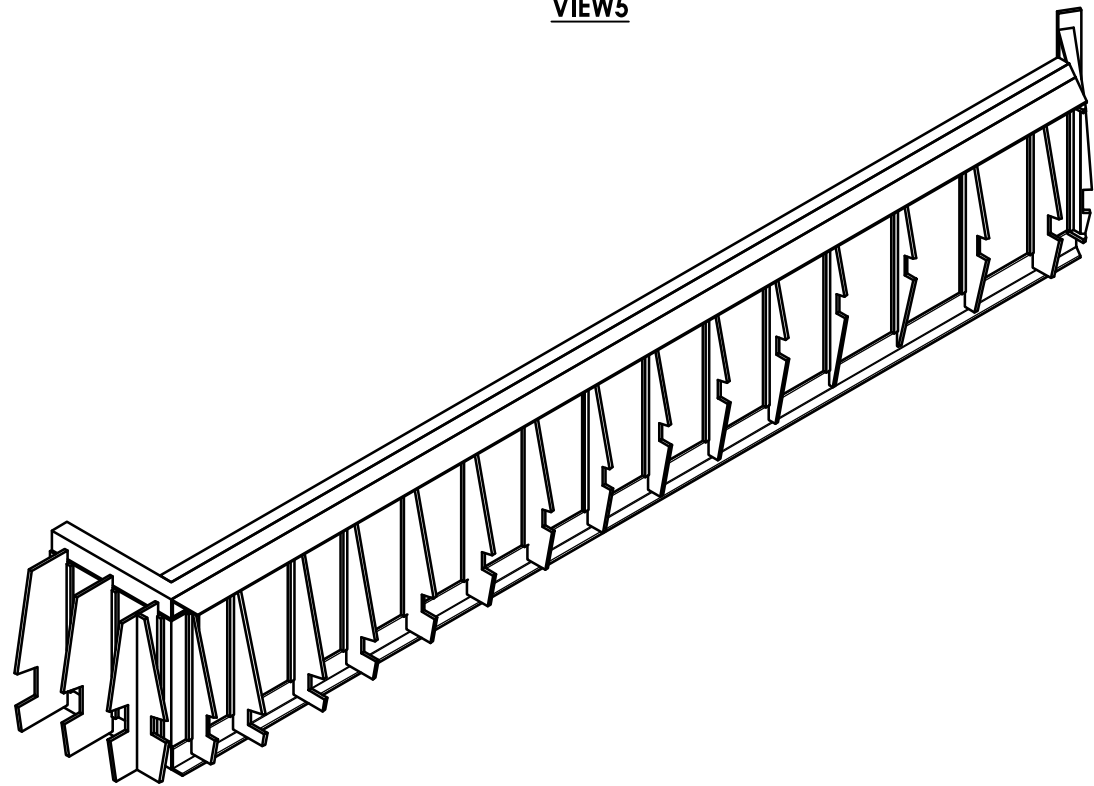


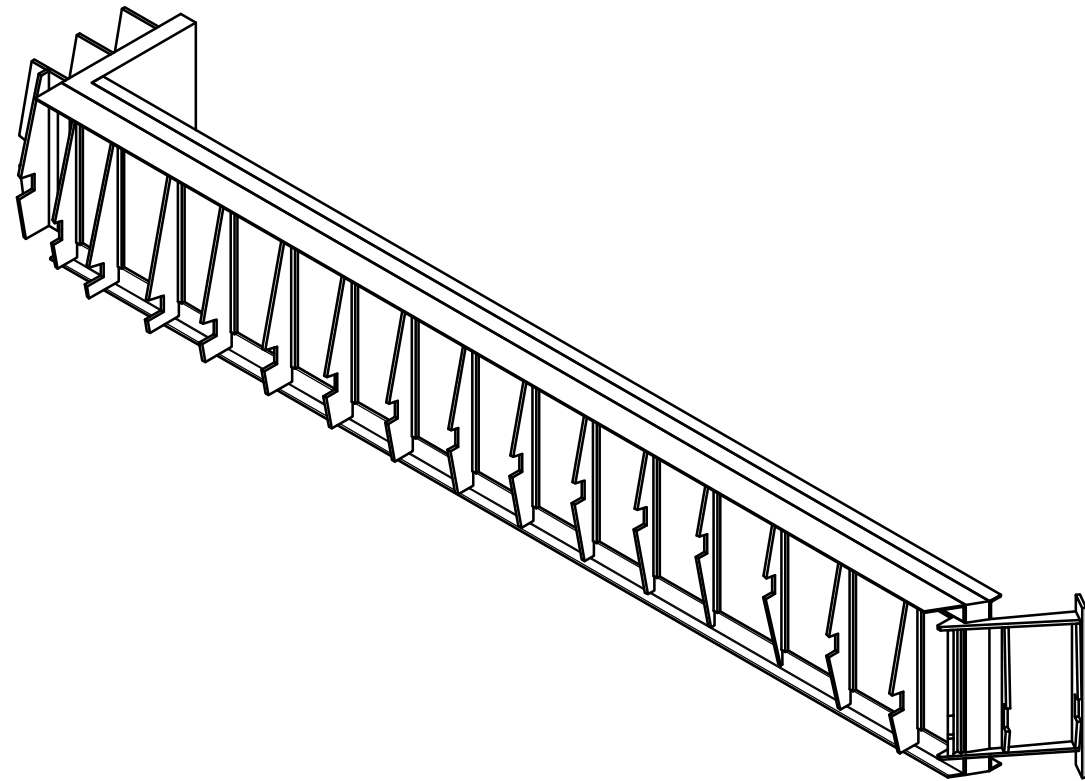
VIEW5



VIEW7



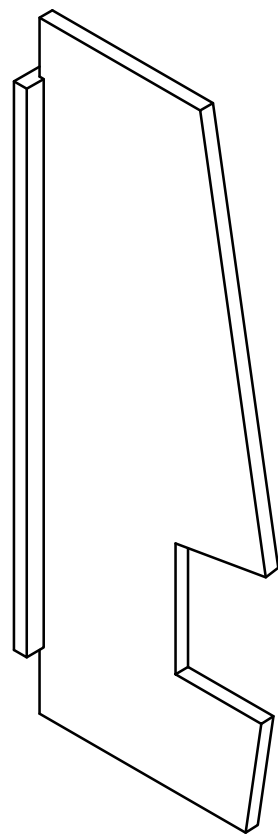
VIEW8



VIEW9

HOSPITALITY

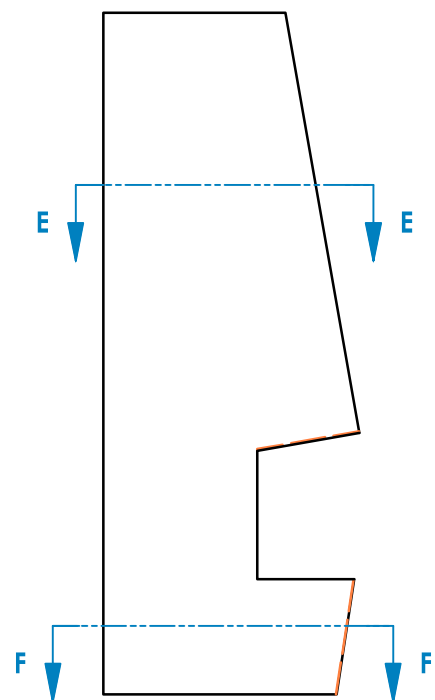




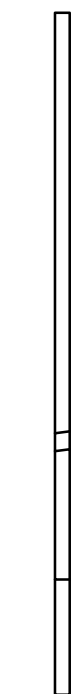
VIEW10



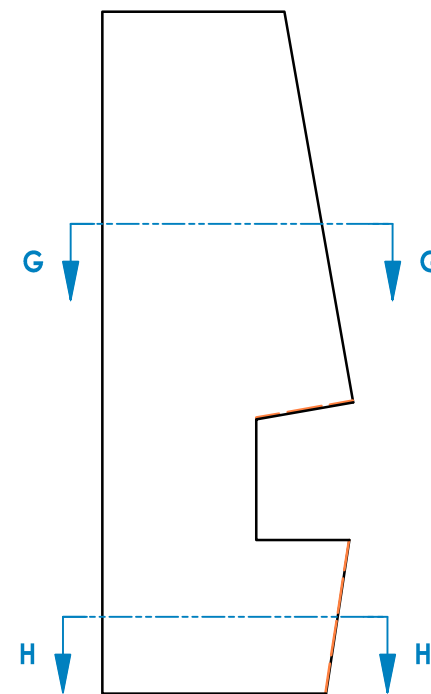
VIEW12



STUD 01



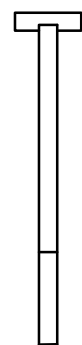
VIEW15



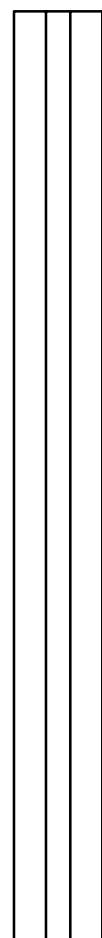
STUD 02



VIEW18



VIEW11



VIEW16



SECTION E-E



SECTION F-F

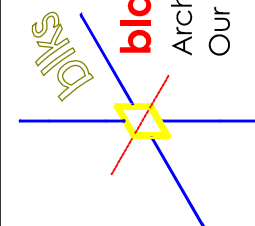


SECTION G-G

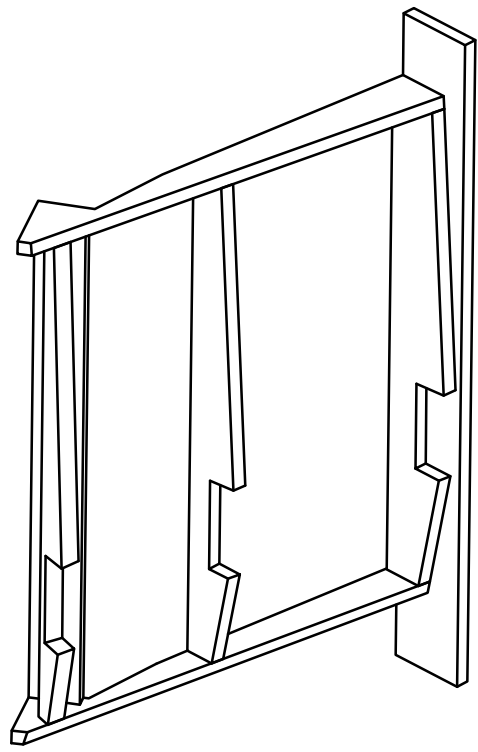


SECTION H-H

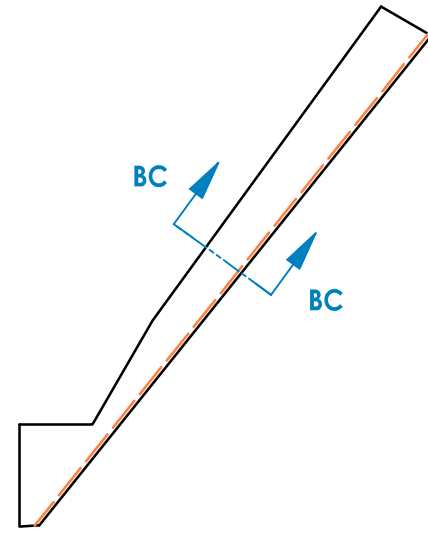
**HOSPITALITY**



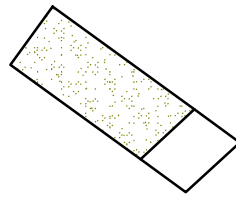
**blacks outsourcing, inc.**  
Architectural Woodwork Engineering  
Our business is drawing yours



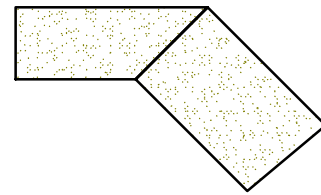
RIGHT SIDE FRAME



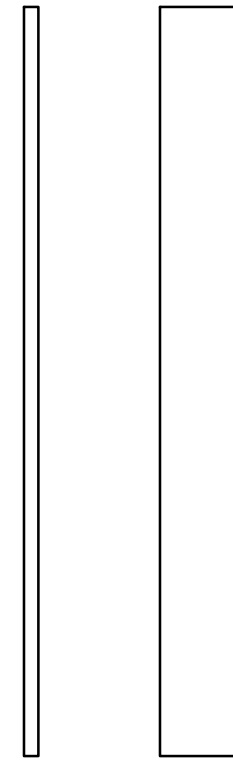
LOWER CLEAT TOP VIEW



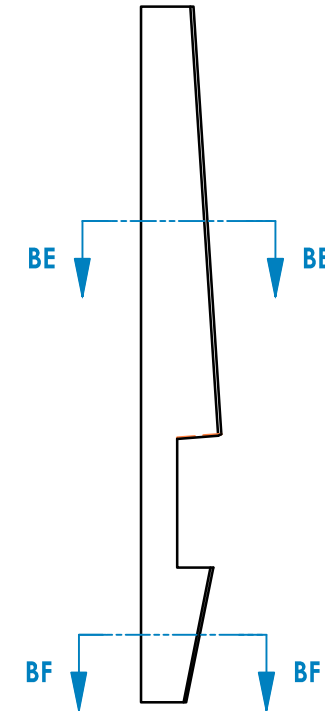
SECTION BC-BC



SECTION BD-BD



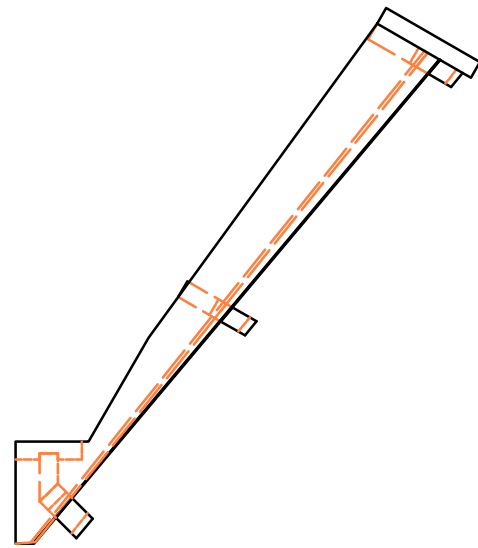
RIGHT SIDE CLEAT VIEW39



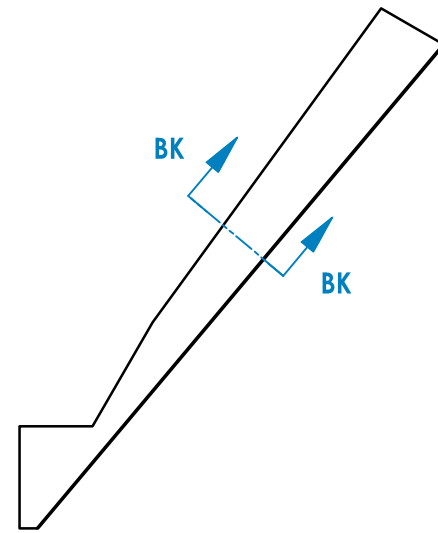
STUD 21



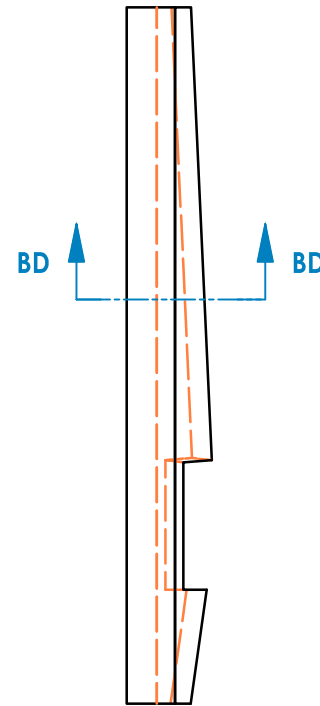
VIEW43



FRAME PLAN



UPPER CLEAT TOP VIEW



STUD 20



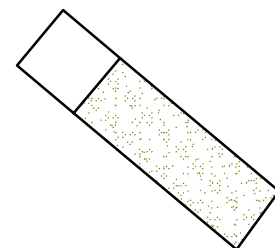
VIEW42



SECTION BE-BE



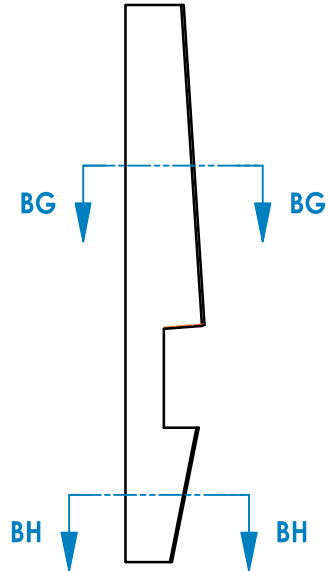
SECTION BF-BF



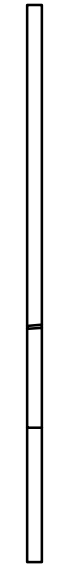
SECTION BK-BK

**HOSPITALITY**





STUD 22



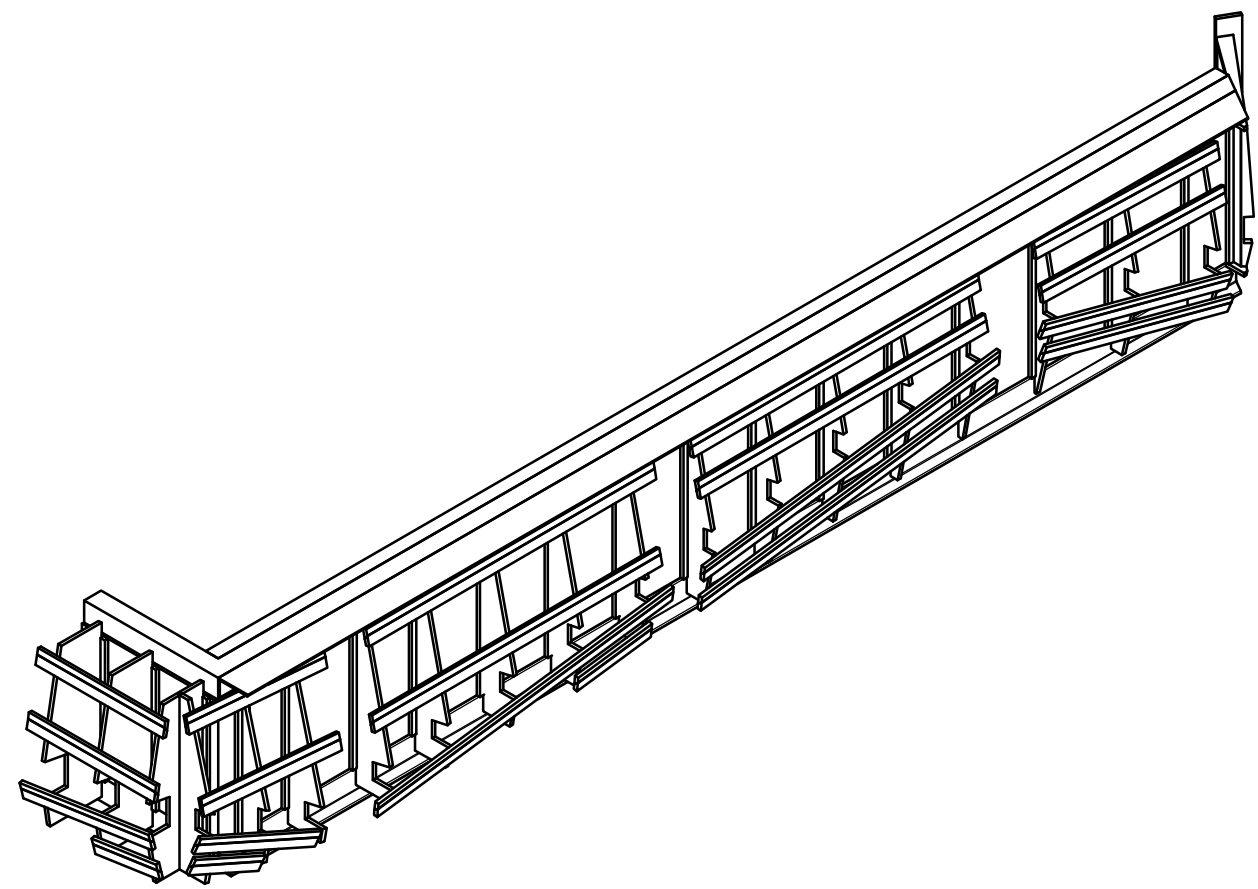
VIEW44



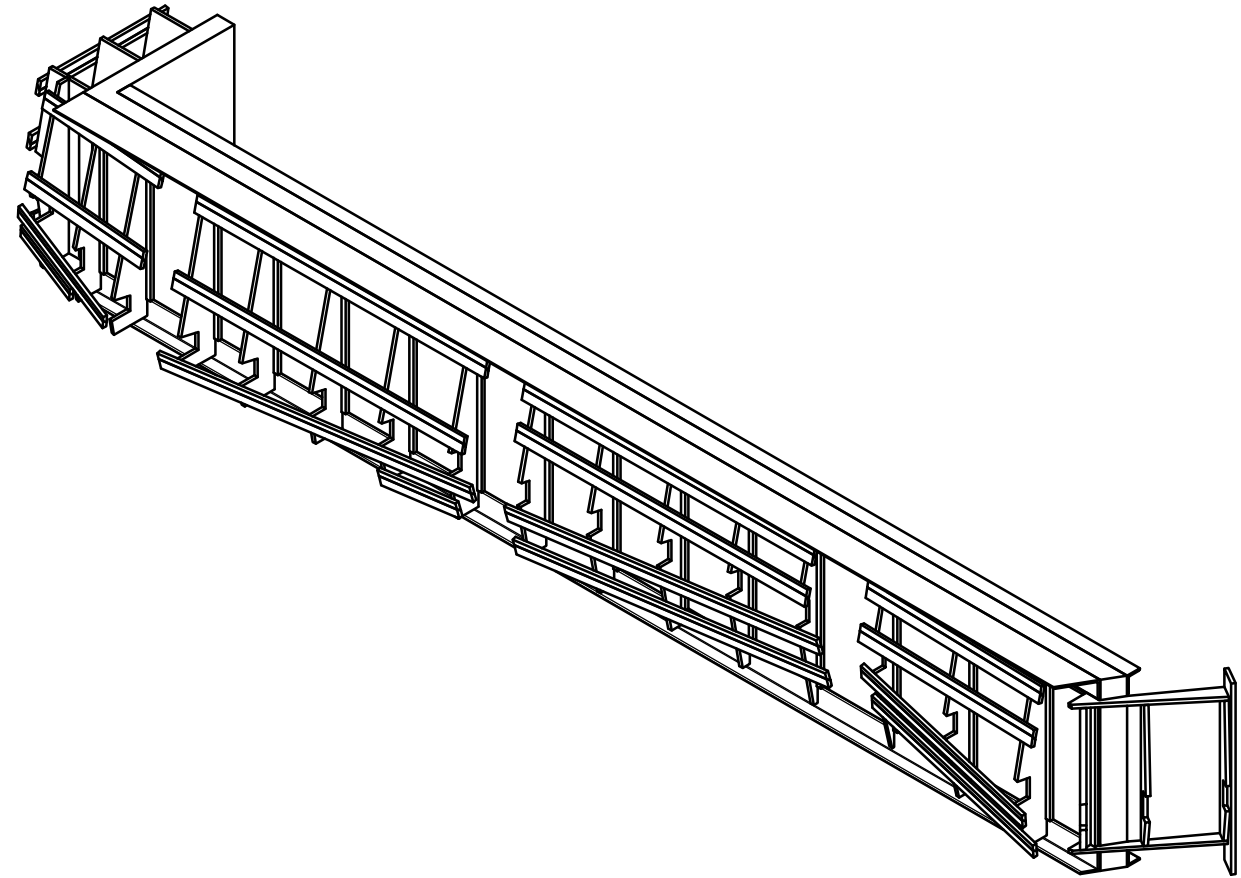
SECTION BG-BG



SECTION BH-BH



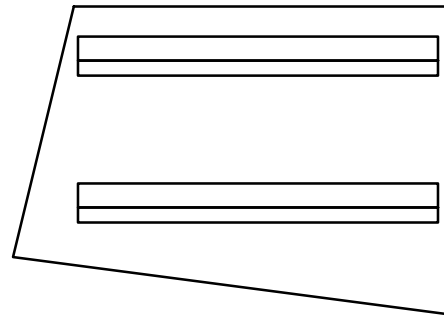
VIEW45



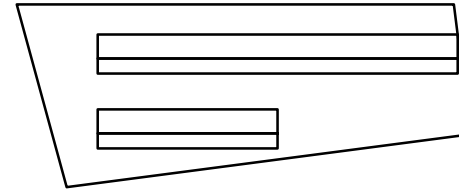
VIEW46

**HOSPITALITY**

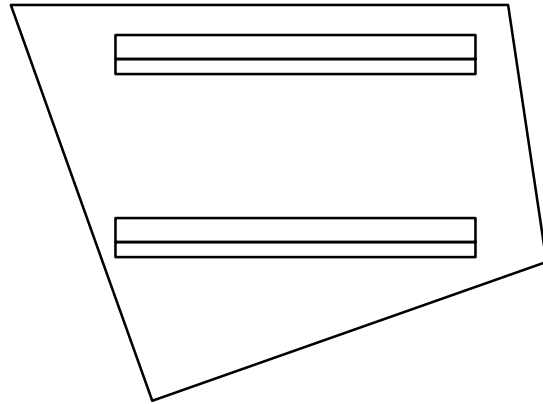
**blacks outsourcing, inc.**  
 Architectural Woodwork Engineering  
 Our business is drawing yours



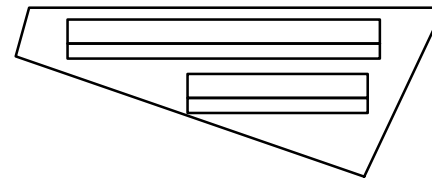
L1 REAR



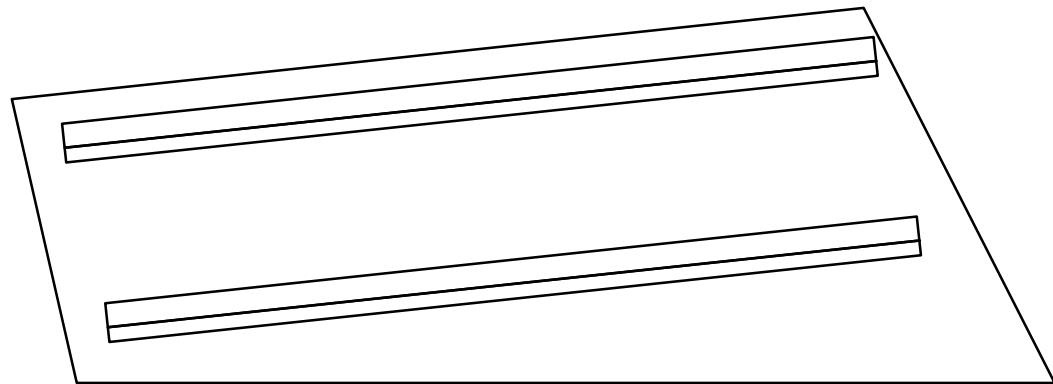
L2 REAR



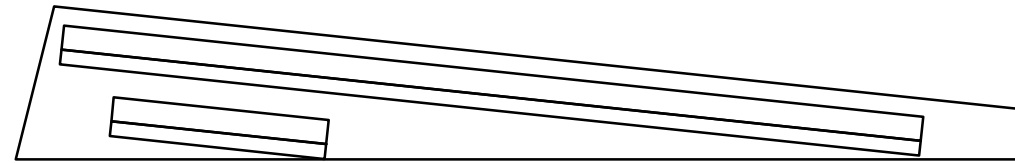
F1 REAR



F2 REAR



F3 REAR



F4 REAR

# HOSPITALITY



**blacks outsourcing, inc.**  
Architectural Woodwork Engineering  
Our business is drawing yours