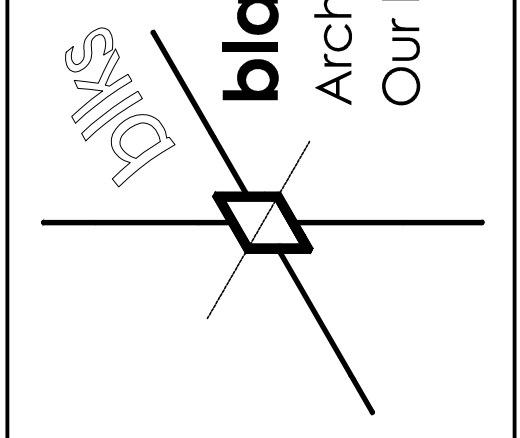


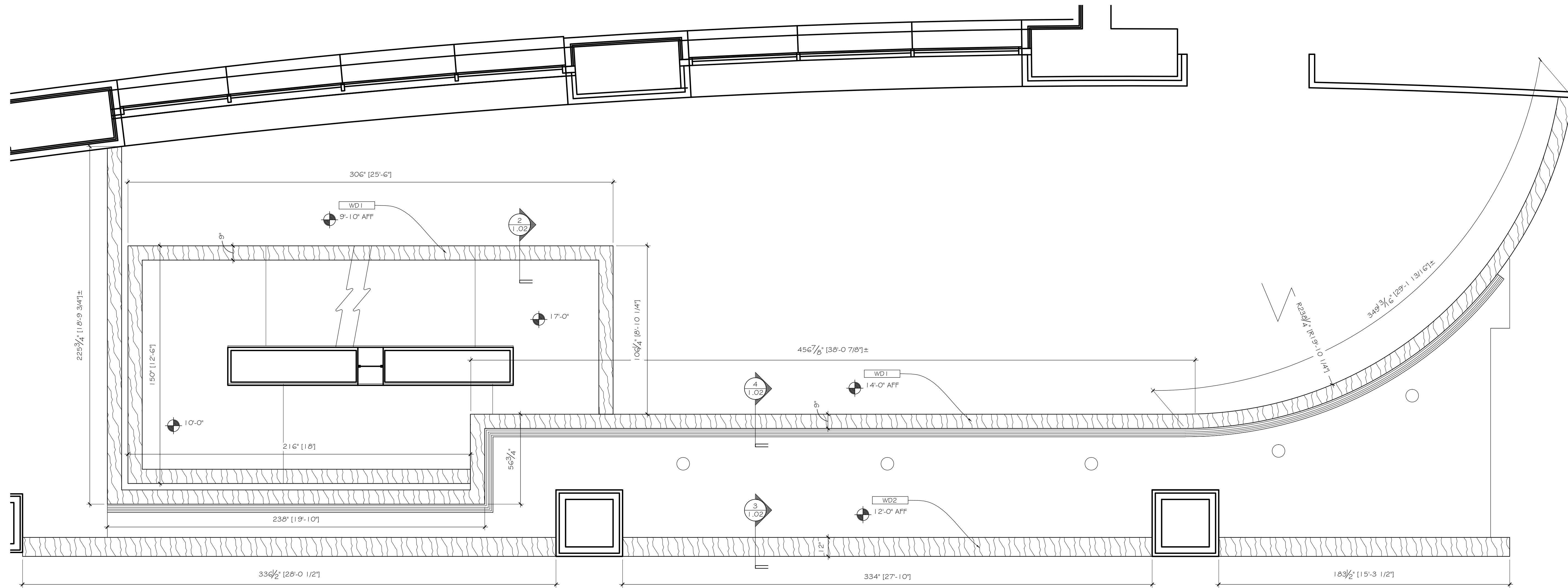
1 ELEVATION: ATRIUM
1.01 SCALE: 1/8" = 12" ARCH. REF.: 1/A-440

INSTITUTIONAL

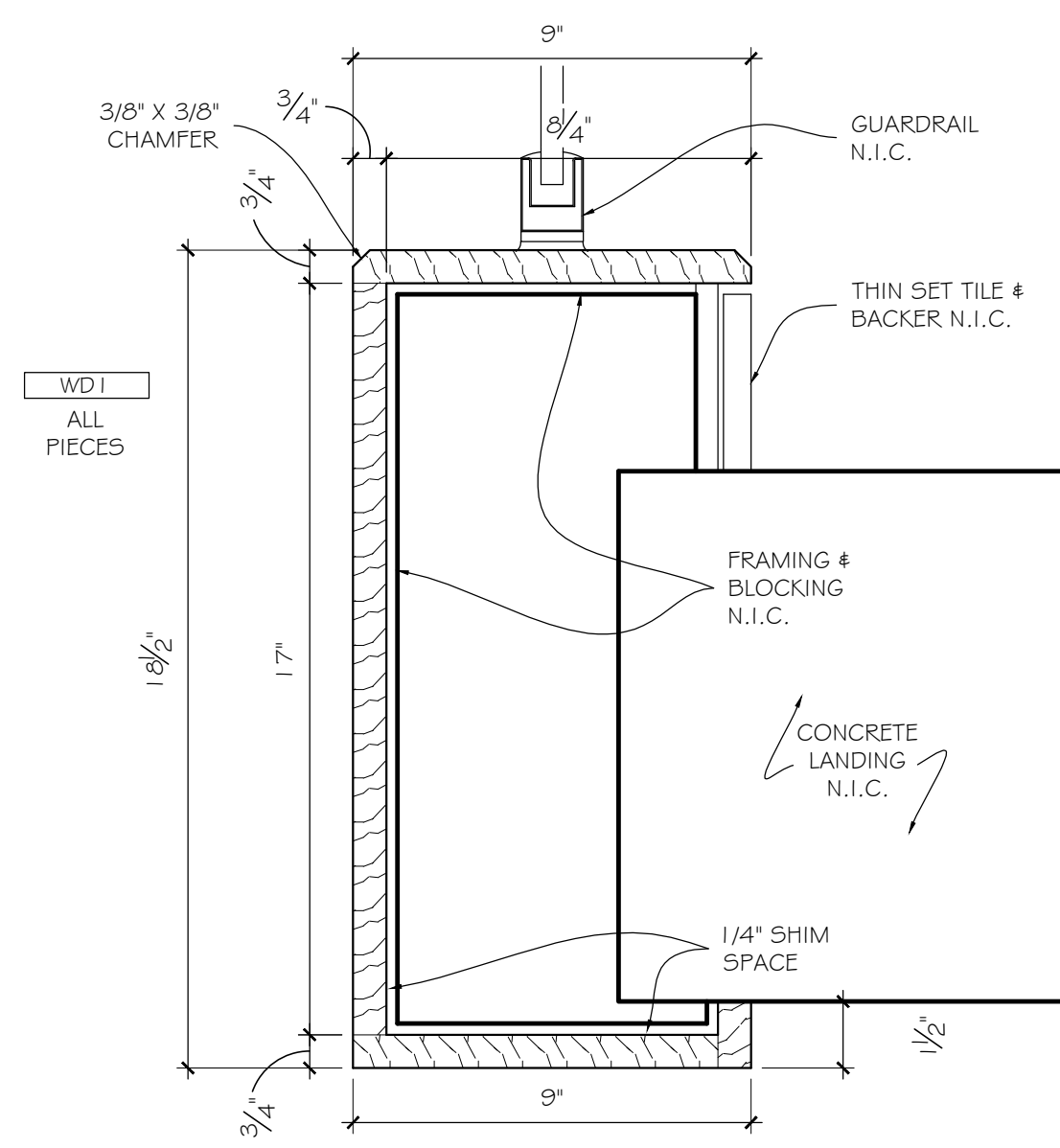
blacks outsourcing, inc.
Architectural Woodwork Engineering
Our business is drawing yours



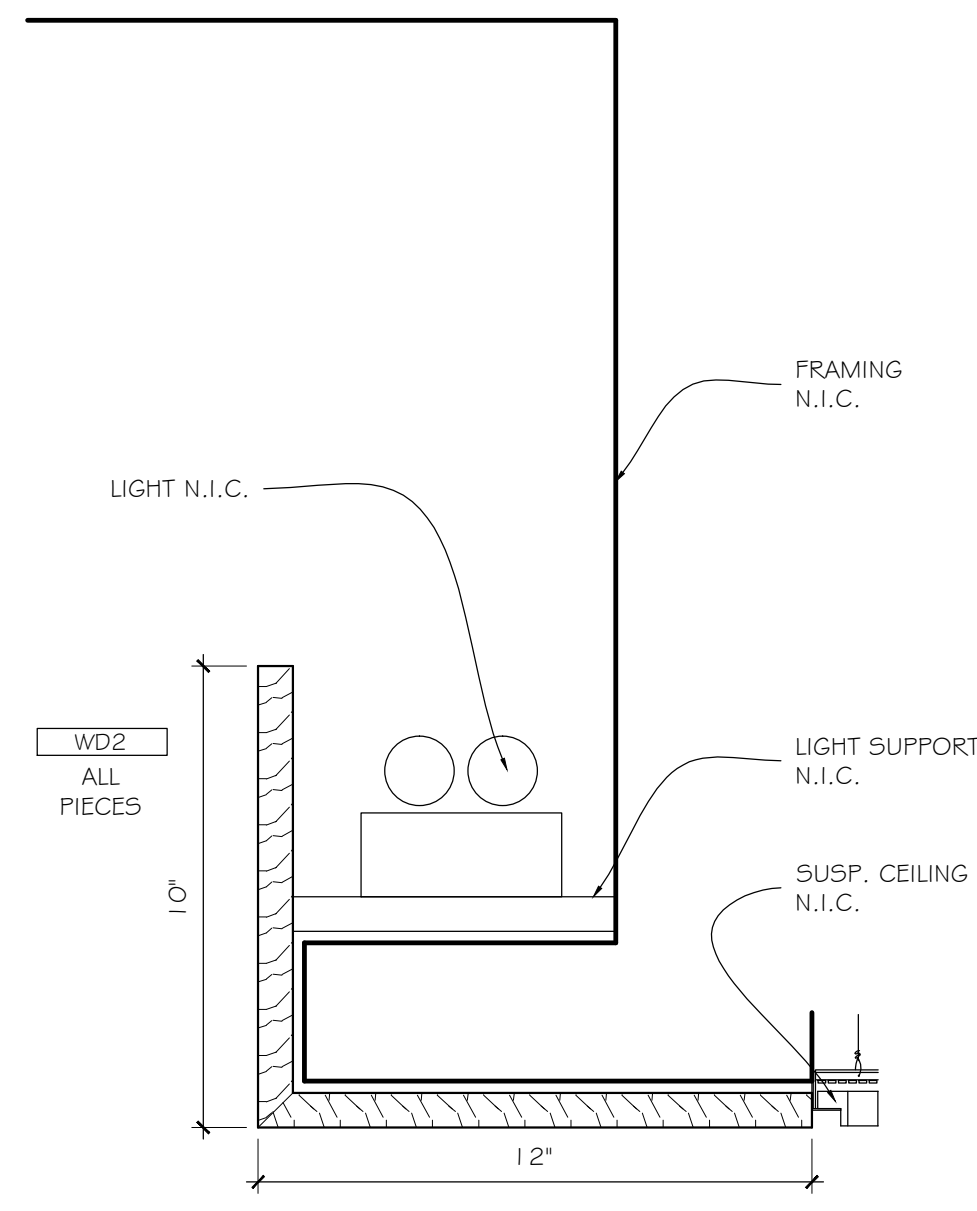
6-1.01



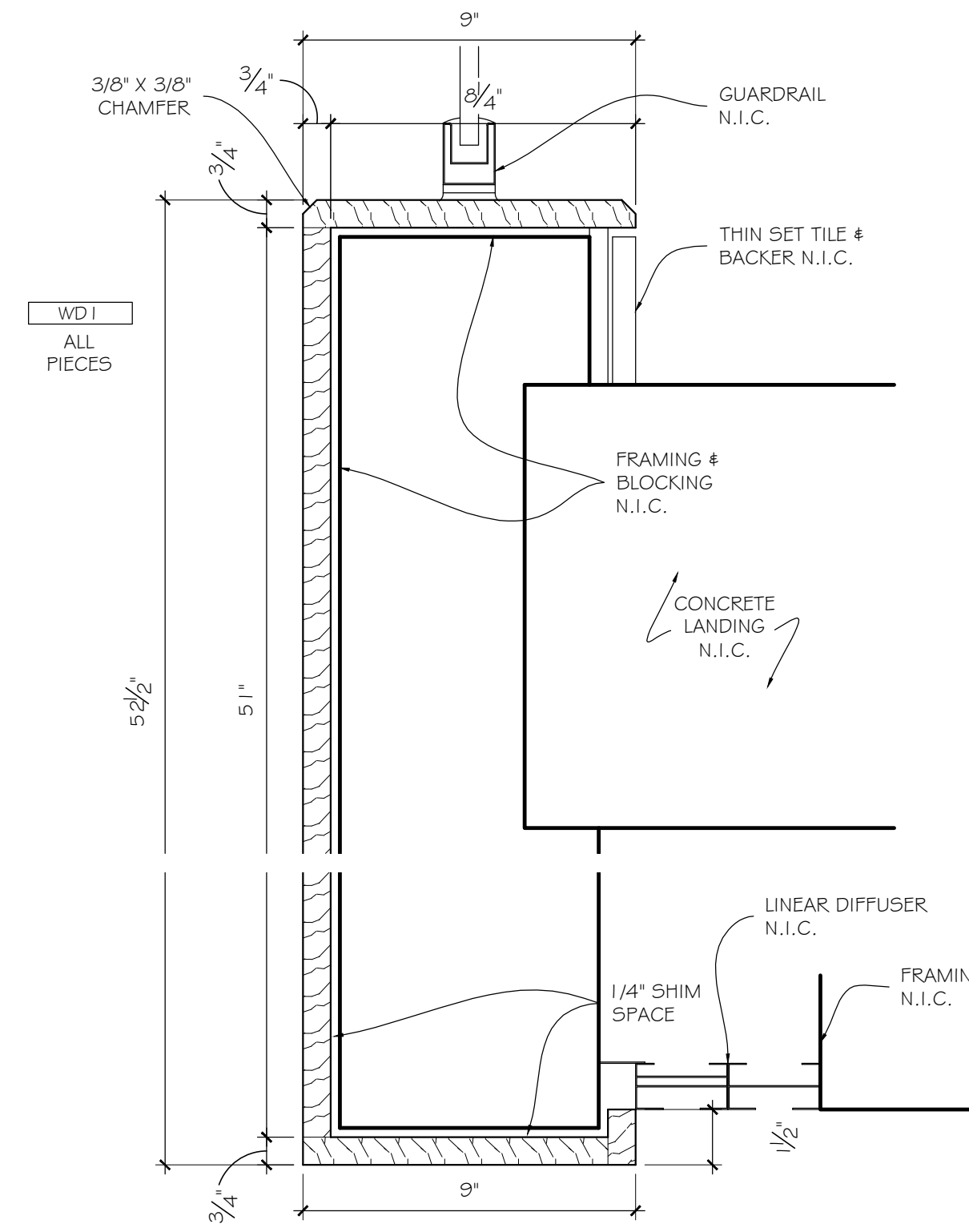
1 REF. CEILING PLAN: LOWER LEVEL
 1.02 SCALE: 3/8" = 12" ARCH. REF.: 1/A-106



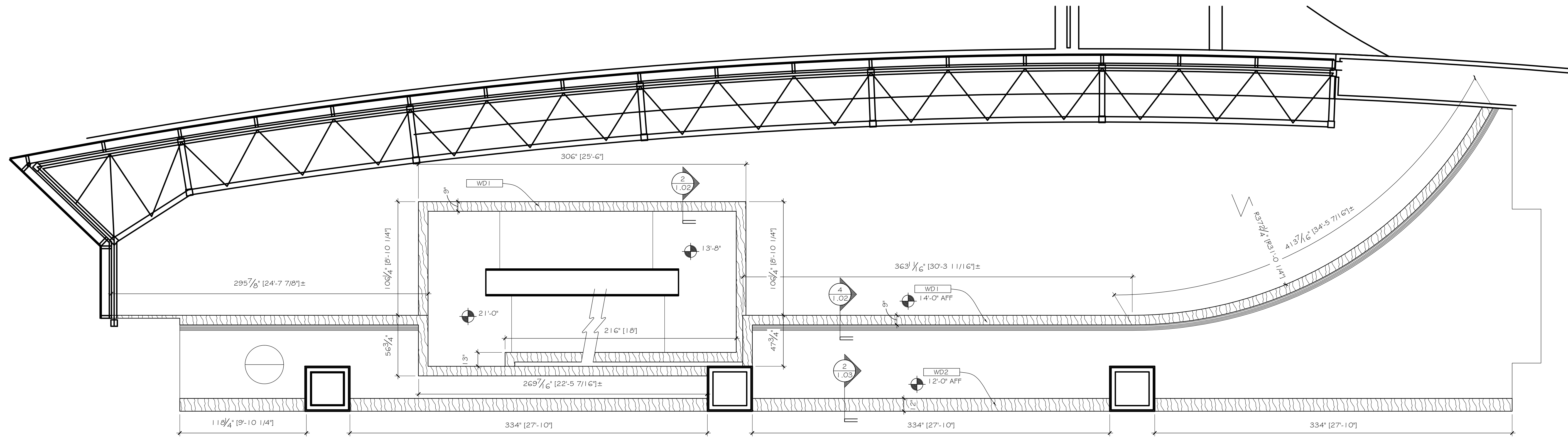
2 DETAIL: STAIR LANDING
 1.02 SCALE: 3" = 12" ARCH. REF.: 12/A-530



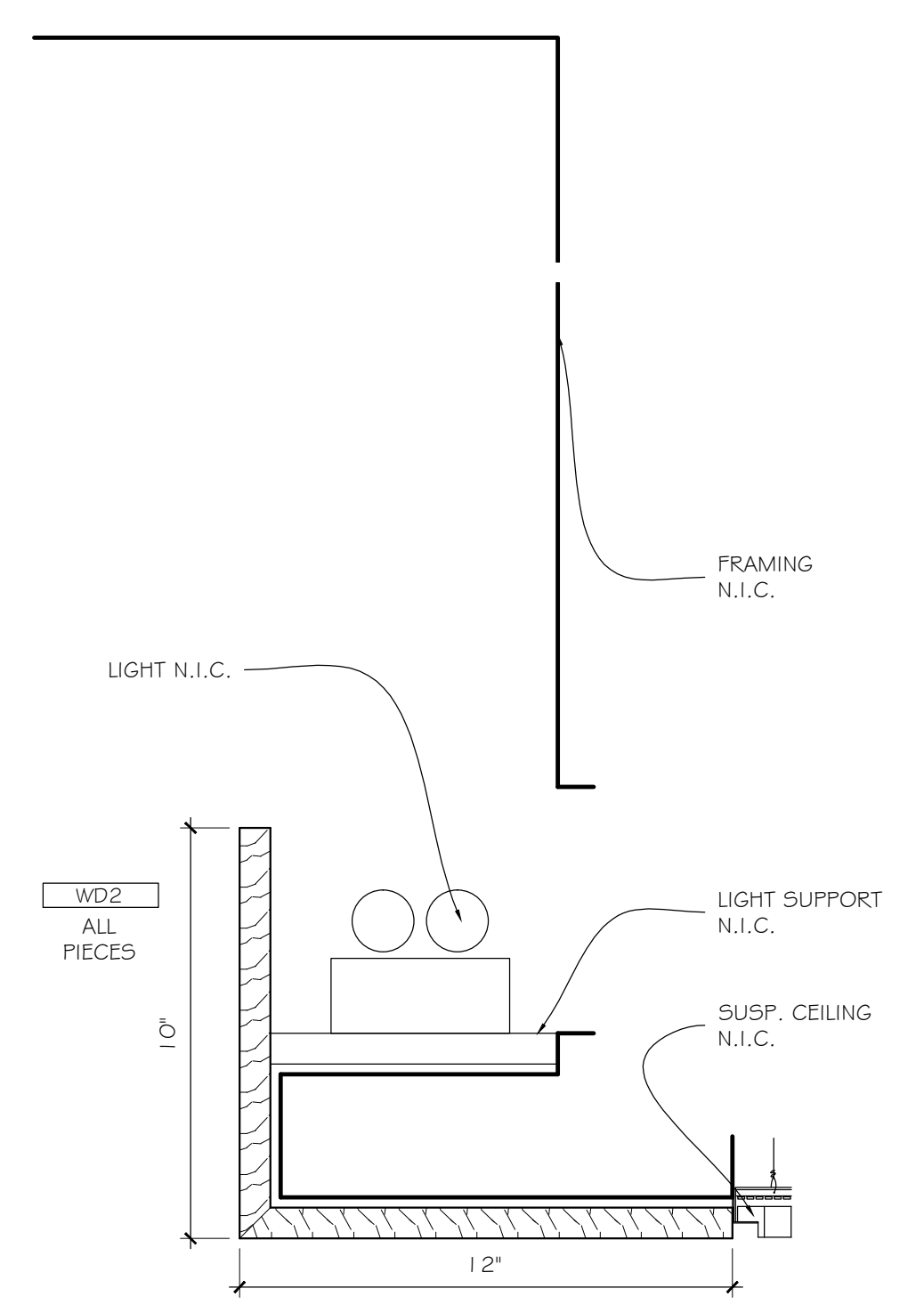
3 DETAIL: LIGHT COVE
 1.02 SCALE: 3" = 12" ARCH. REF.: 10/A-545



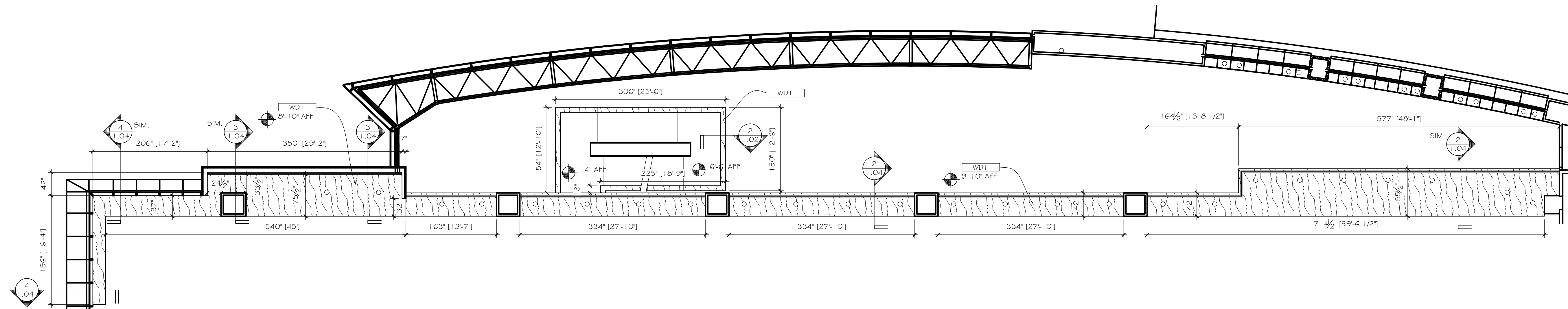
4 DETAIL: LINEAR DIFFUSER
 1.02 SCALE: 3" = 12" ARCH. REF.: 14/A-545



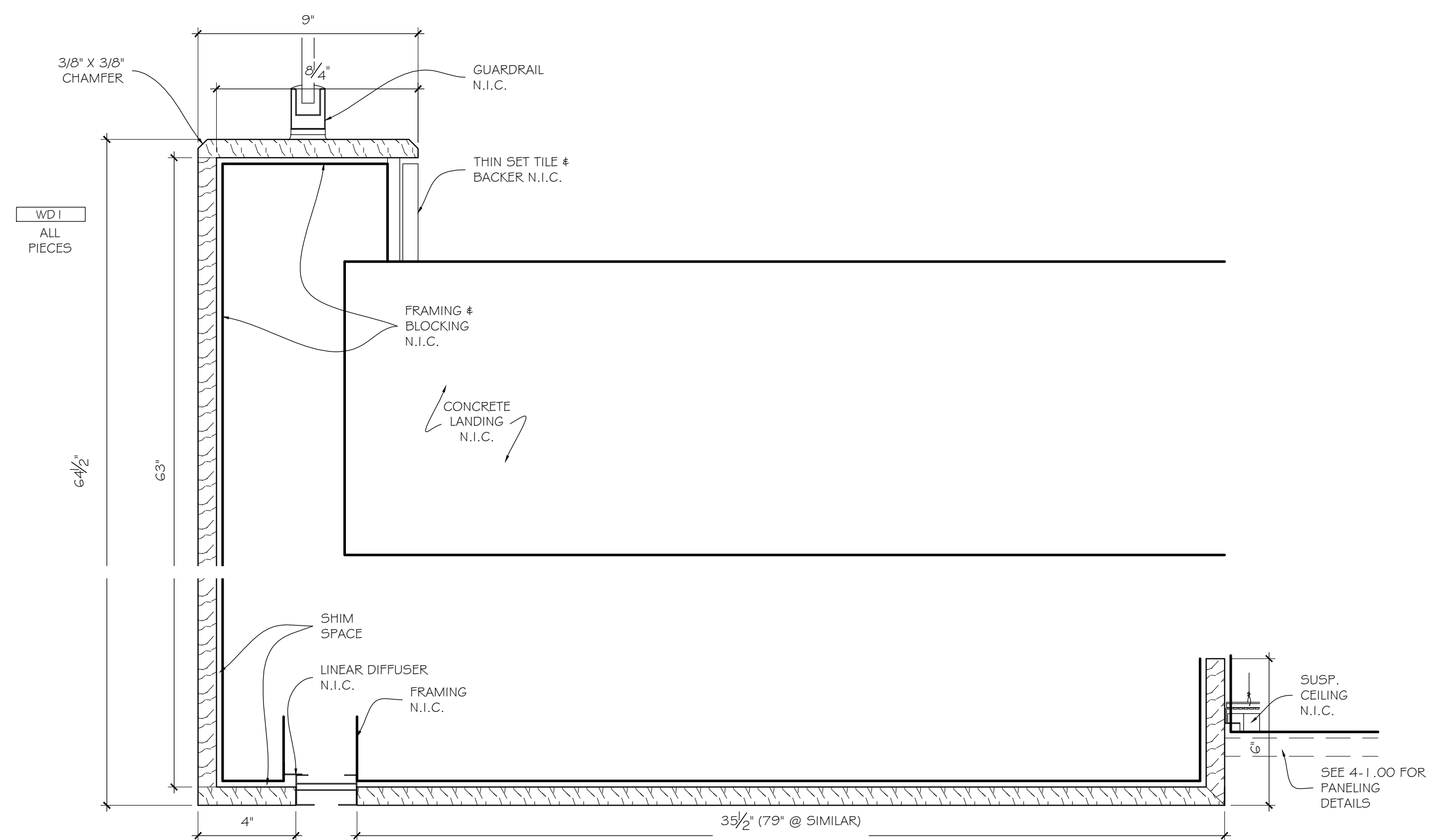
1 REF. CEILING PLAN: FIRST FLOOR
 1.03 SCALE: 3/8" = 1' ARCH. REF.: 1/A-116



2 DETAIL: LIGHT COVE
 1.03 SCALE: 3" = 12" ARCH. REF.: 10/A-547



1 REF. CEILING PLAN: SECOND FLOOR
 1.04 SCALE: 1/8" = 12" ARCH. REF.: 1/A-126



2 DETAIL: LINEAR DIFFUSER
 1.04 SCALE: 3" = 12" ARCH. REF.: 5/A-547

SUSP. CEILING OR WOOD CEILING PANELS

INSTITUTIONAL

blacks outsourcing, inc.
 Architectural Woodwork Engineering
 Our business is drawing yours

6-1.04