

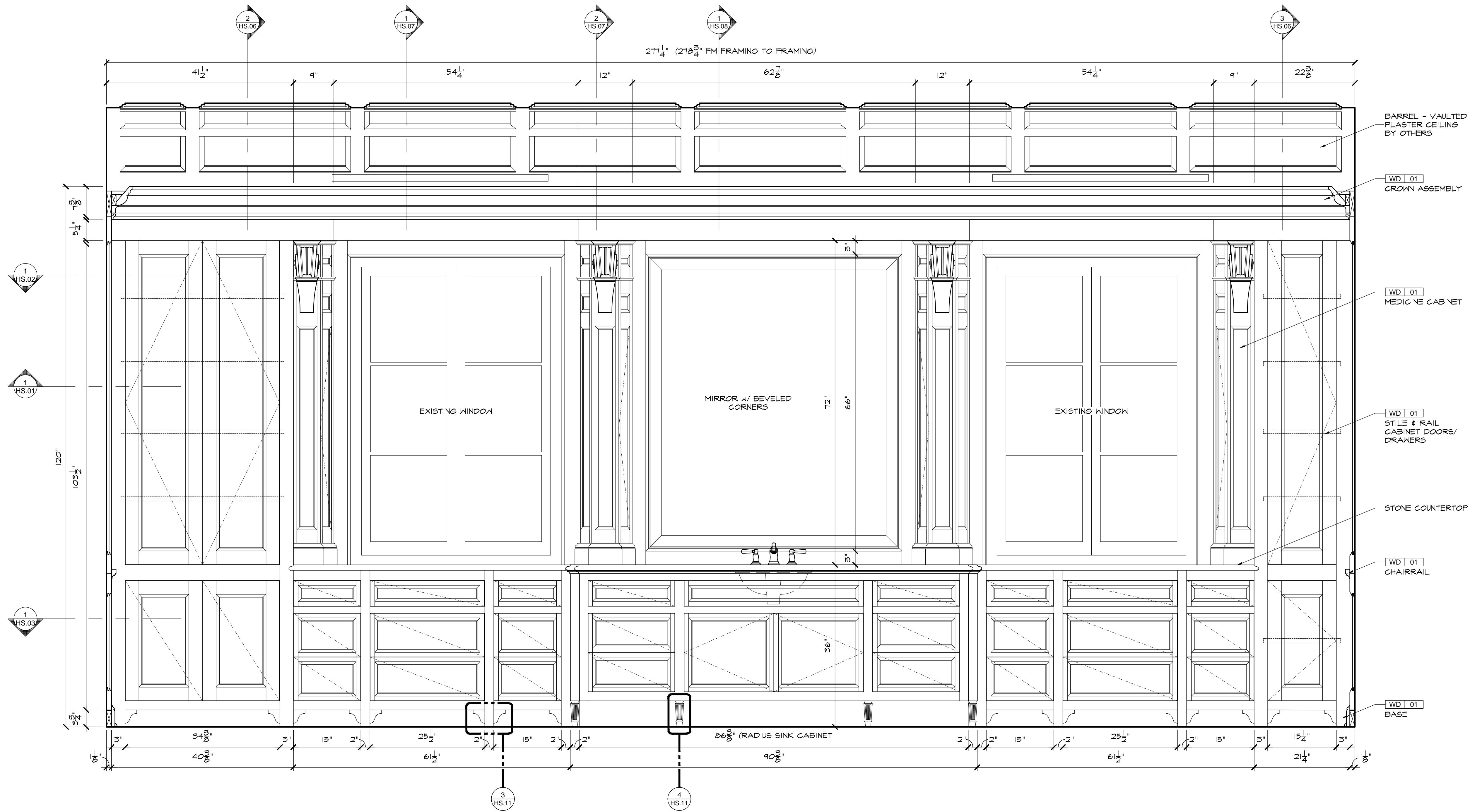
1 ENLARGED PLAN: HIS BATH #216  
 H1.00 SCALE: 3/4"=12" ARCH. REF.: 1/207-1

# HIGH END RESIDENTIAL

**blacks outsourcing, inc.**  
 Architectural Woodwork Engineering  
 Our business is drawing yours

H1.00

# HIGH END RESIDENTIAL

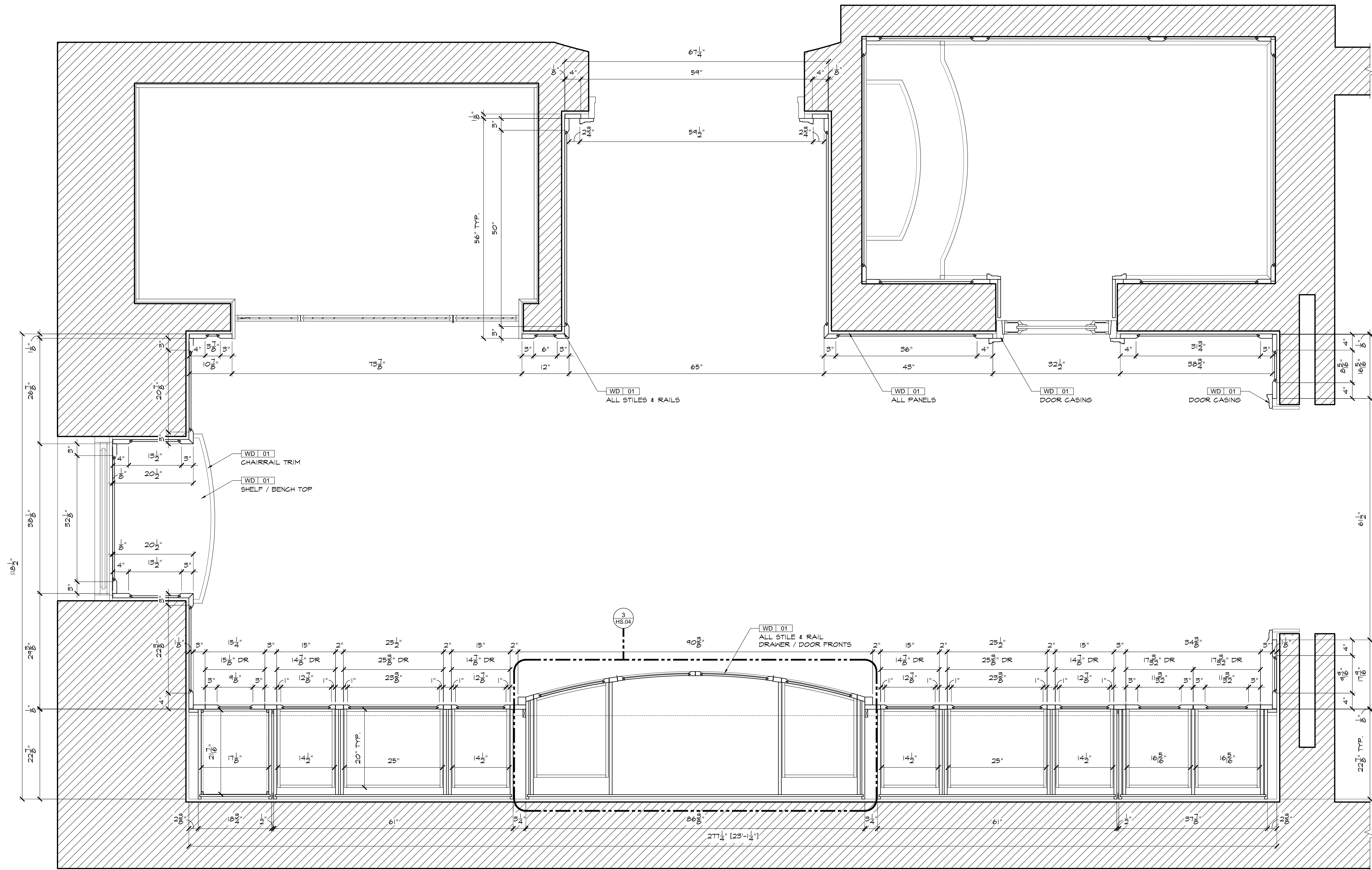


1 ELEVATION: SOUTH  
 H1.04 SCALE: 1"=12" ARCH. REF.: 3/216-1

**blacks outsourcing, inc.**  
 Architectural Woodwork Engineering  
 Our business is drawing yours

H1.04

# HIGH END RESIDENTIAL



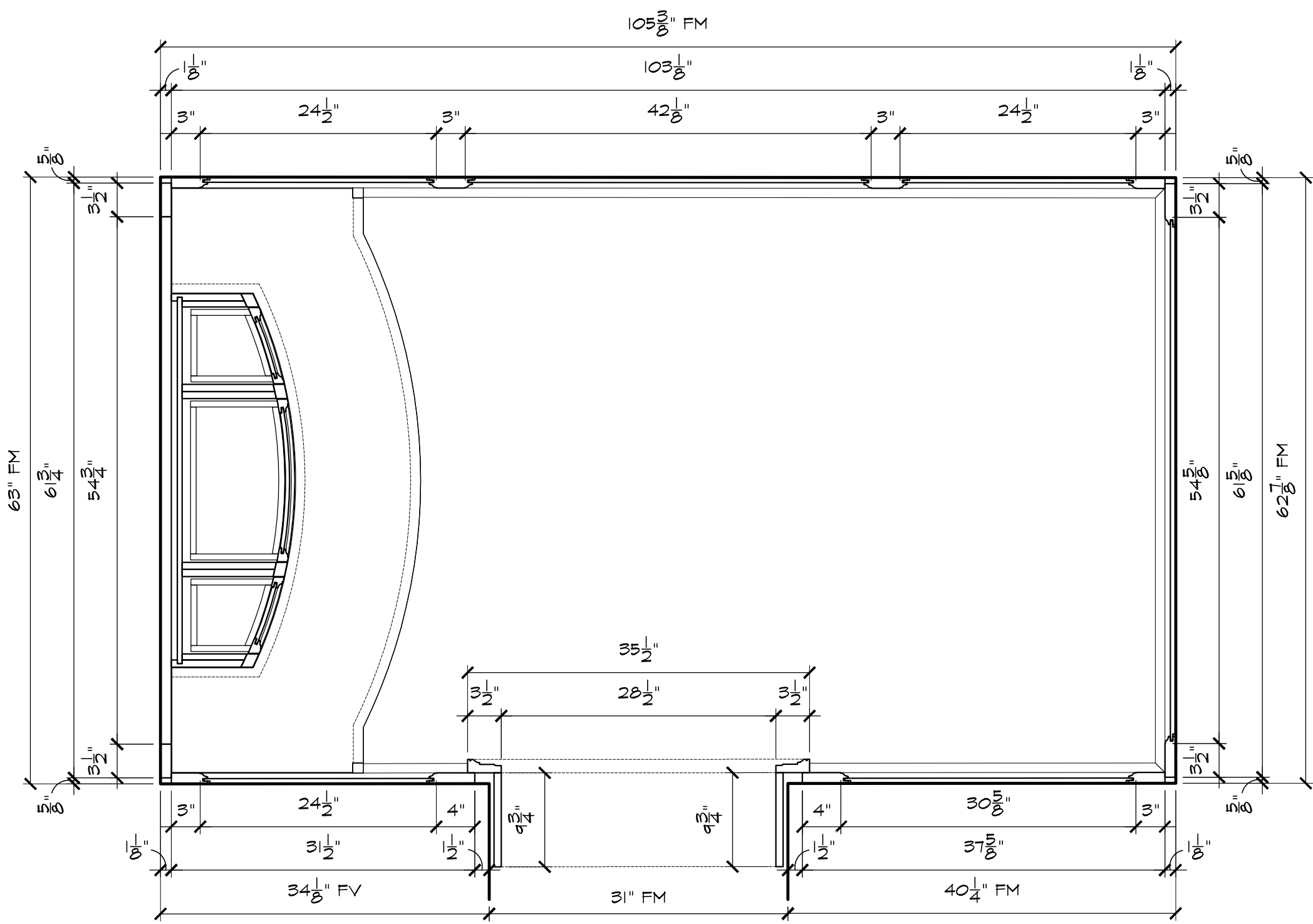
1  
HS.03

PLAN SECTION:

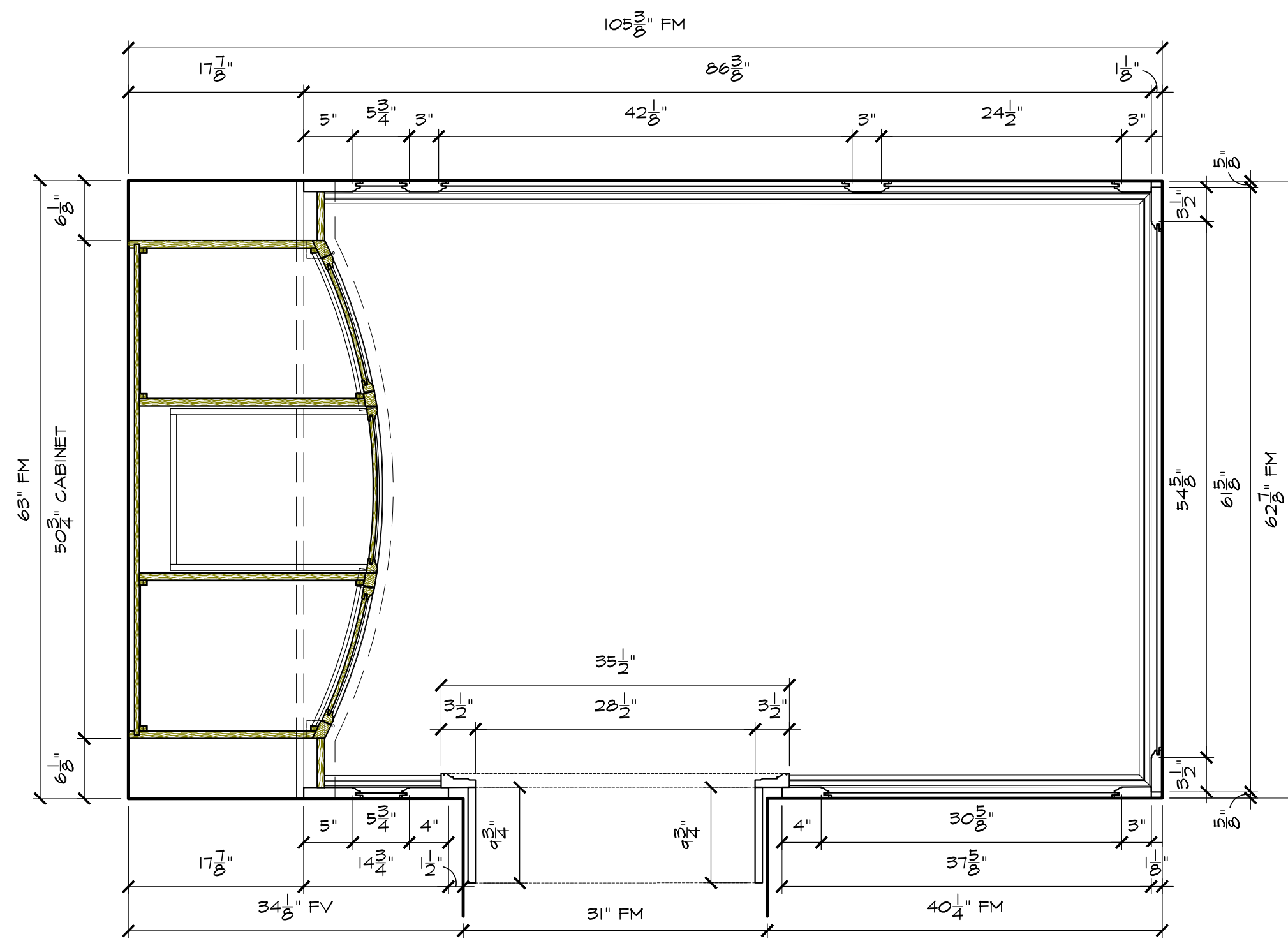
SCALE: 1"=12" ARCH. REF.: NONE

**blacks outsourcing, inc.**  
Architectural Woodwork Engineering  
Our business is drawing yours

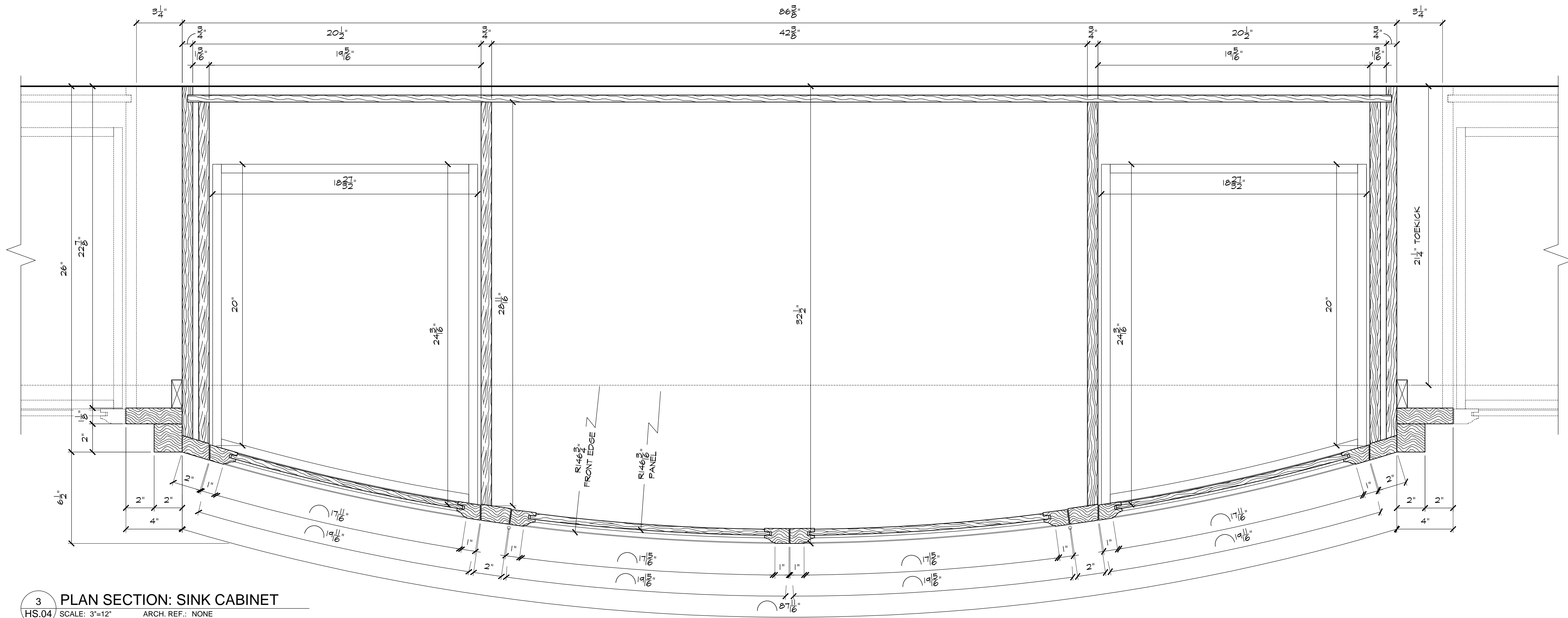
HS.03



1 PLAN SECTION:  
HS.04 SCALE: 1"=12" ARCH. REF.: NONE



2 PLAN SECTION:  
HS.04 SCALE: 1"=12" ARCH. REF.: NONE

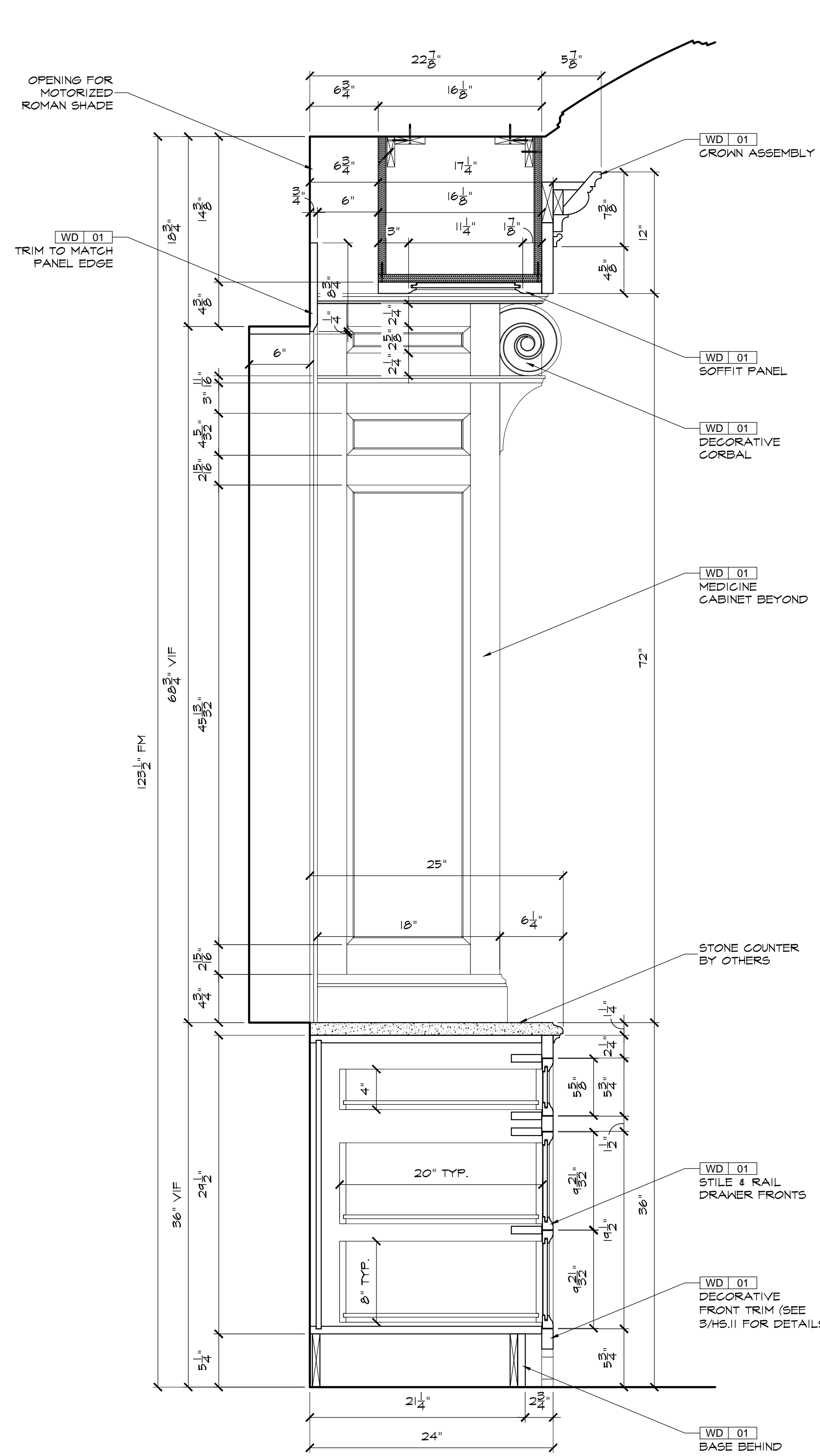


3 PLAN SECTION: SINK CABINET  
HS.04 SCALE: 3"=12" ARCH. REF.: NONE

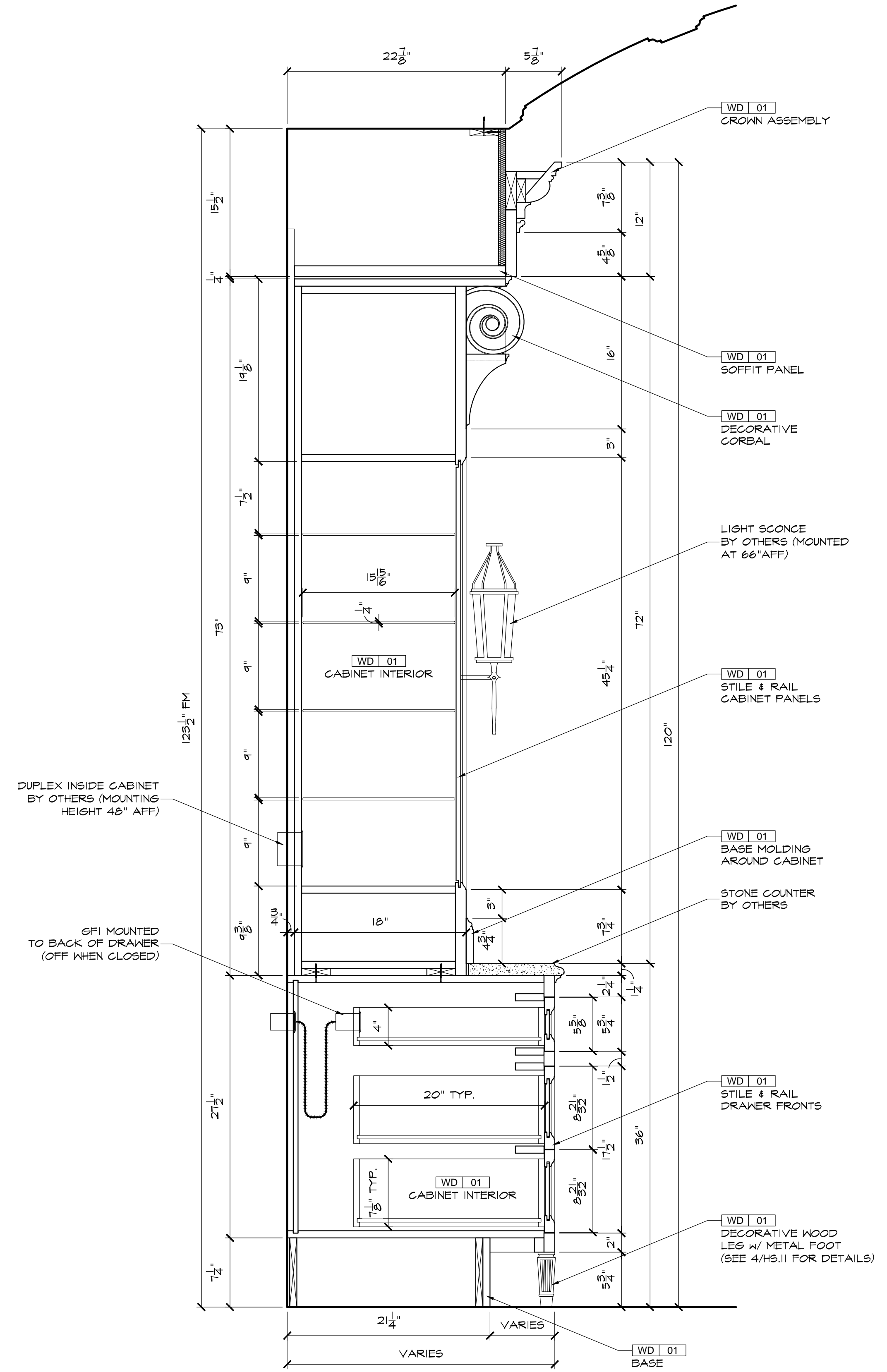
# HIGH END RESIDENTIAL

**blacks outsourcing, inc.**  
Architectural Woodwork Engineering  
Our business is drawing yours

HS.04



1 SECTION:  
 HS.07 SCALE: 1-1/2"=12" ARCH. REF.: NONE

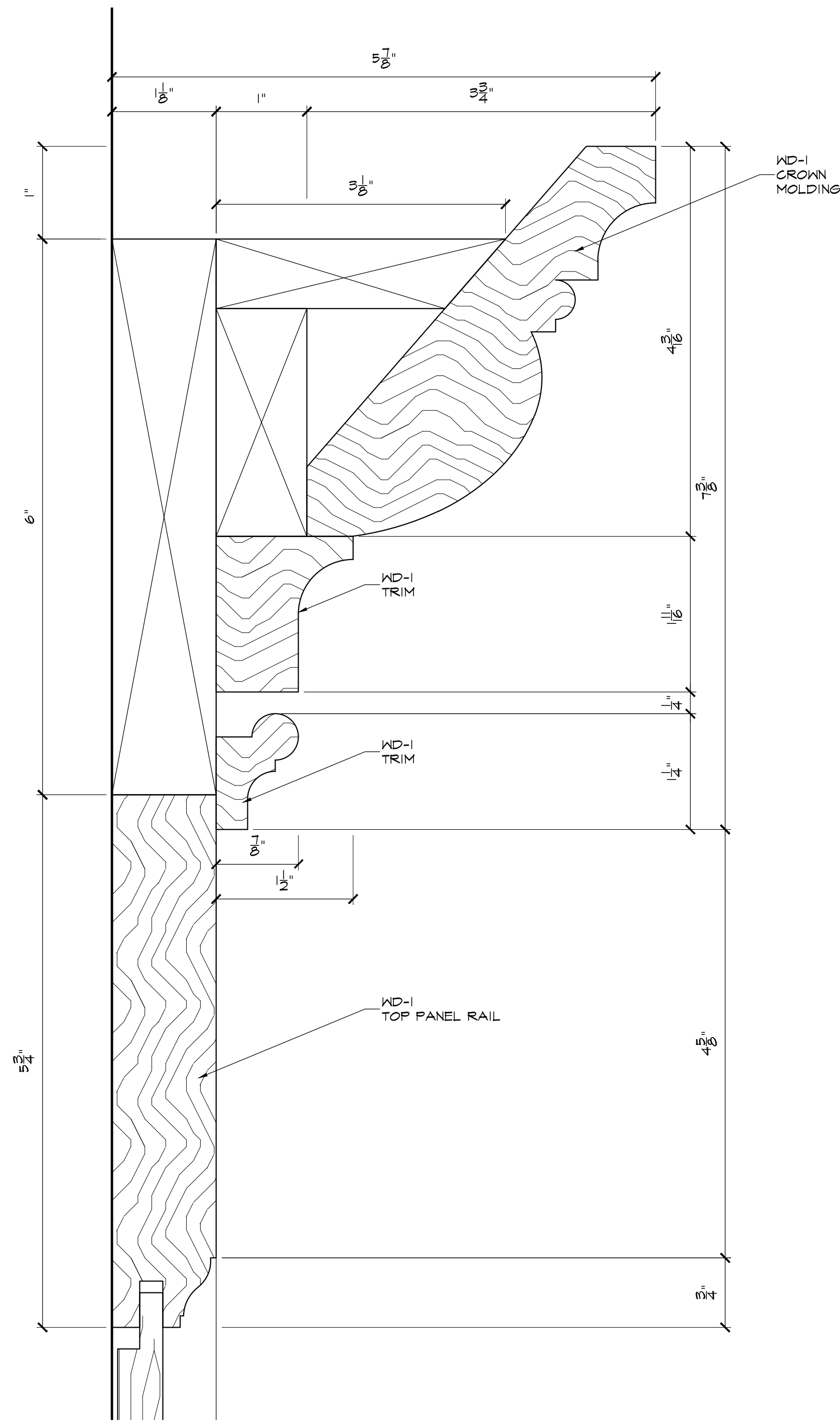


2 SECTION:  
 HS.07 SCALE: 1-1/2"=12" ARCH. REF.: NONE

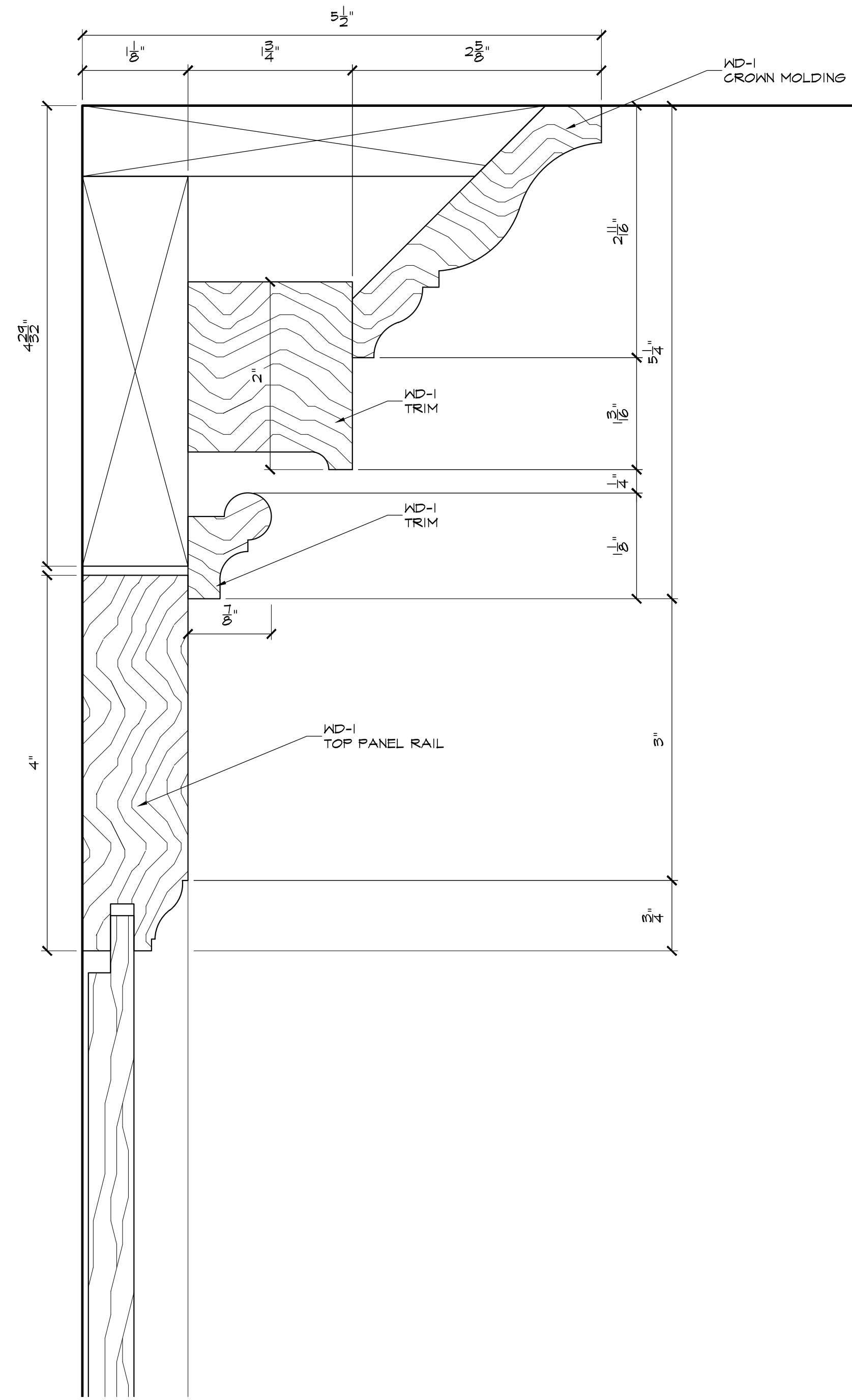
# HIGH END RESIDENTIAL

**blacks outsourcing, inc.**  
 Architectural Woodwork Engineering  
 Our business is drawing yours

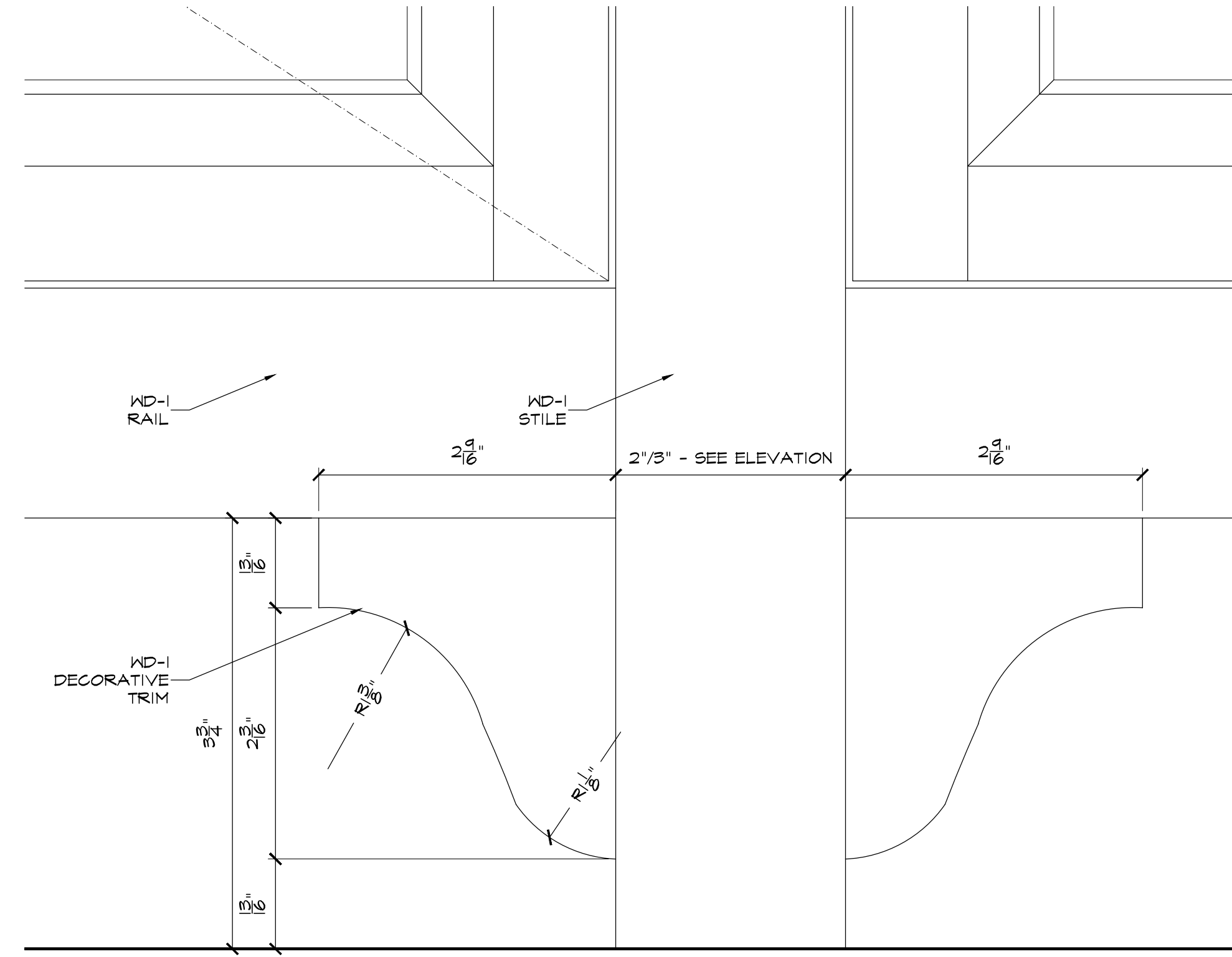
HS.07



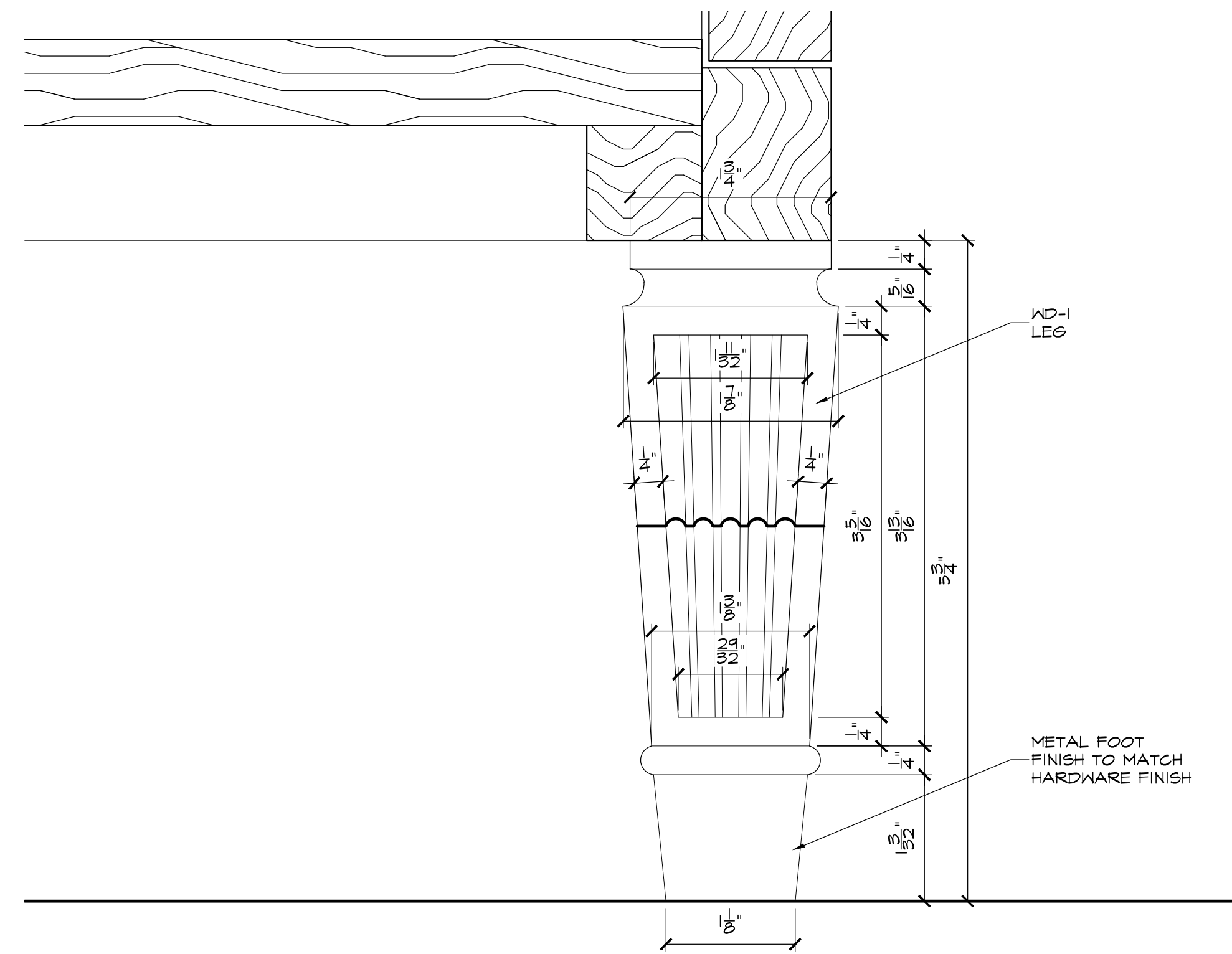
1 DETAIL: CROWN ASSEMBLY AT HIS BATH #216  
 HS.11 SCALE: 12"=12" ARCH. REF.: 216-2



2 DETAIL: CROWN ASSEMBLY AT W.C. #215  
 HS.11 SCALE: 12"=12" ARCH. REF.: 216-2



3 DETAIL: WOOD LEG TRIM  
 HS.11 SCALE: 12"=12" ARCH. REF.: 216-2



4 DETAIL: WOOD LEG  
 HS.11 SCALE: 12"=12" ARCH. REF.: 216-2

# HIGH END RESIDENTIAL

**blacks outsourcing, inc.**  
 Architectural Woodwork Engineering  
 Our business is drawing yours

HS.11