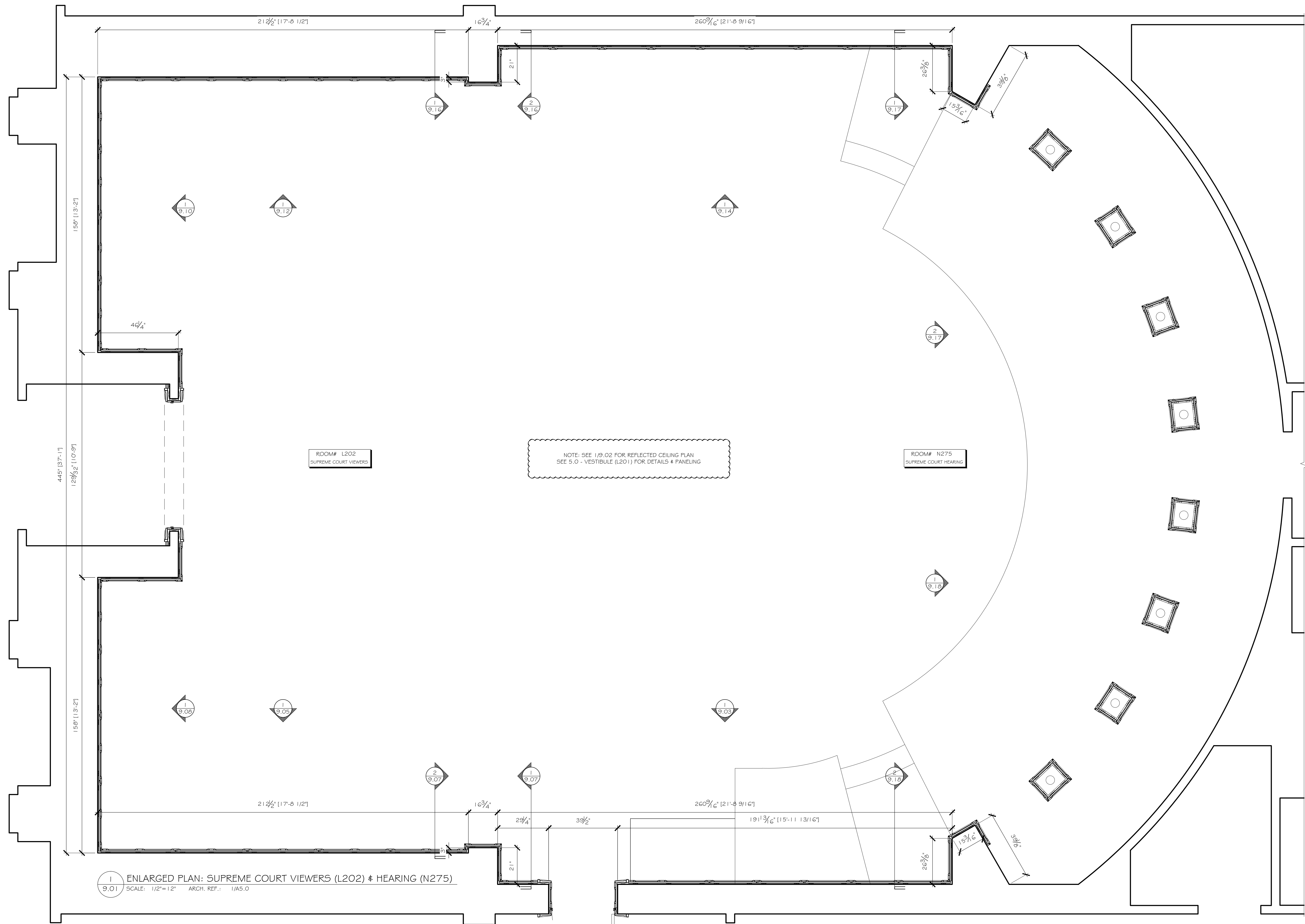


1 KEY PLAN: 2ND FLOOR  
 9.00 SCALE: 3/16"=12" ARCH. REF.: A1.3

INSTITUTIONAL

**blacks outsourcing, inc.**  
 Architectural Woodwork Engineering  
 Our business is drawing yours

9.00

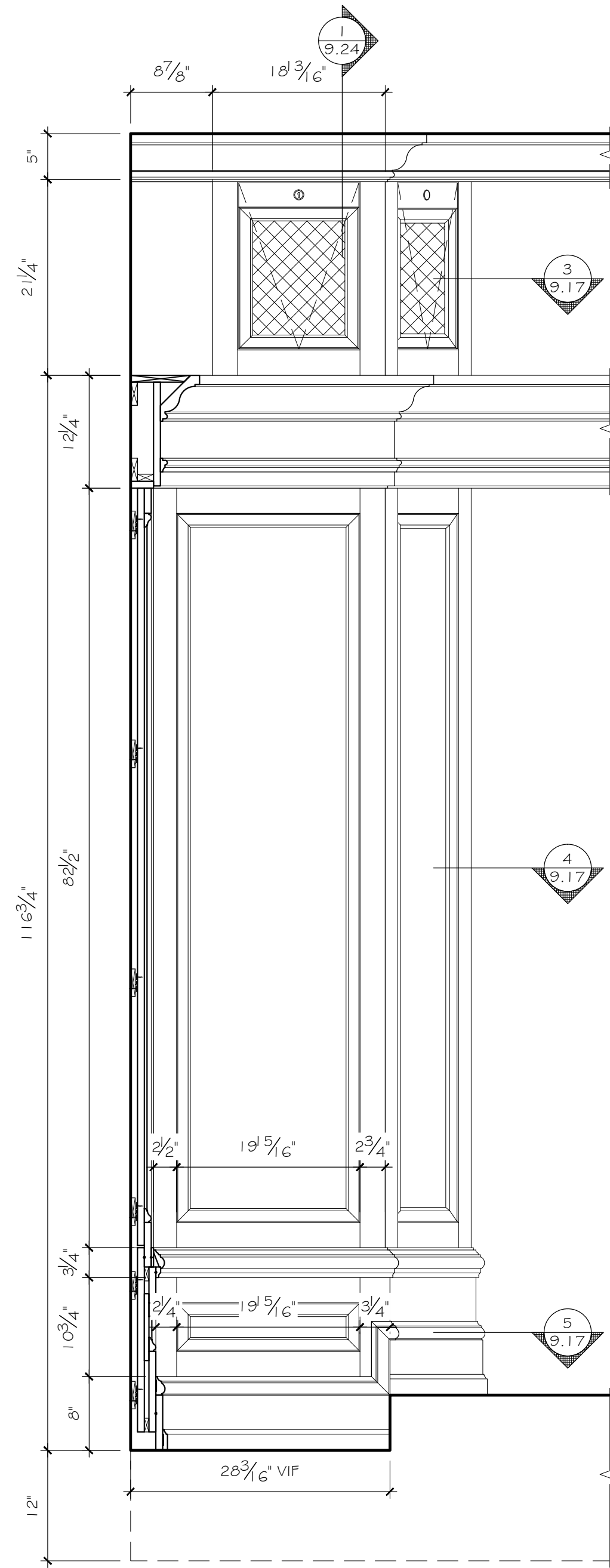


INSTITUTIONAL

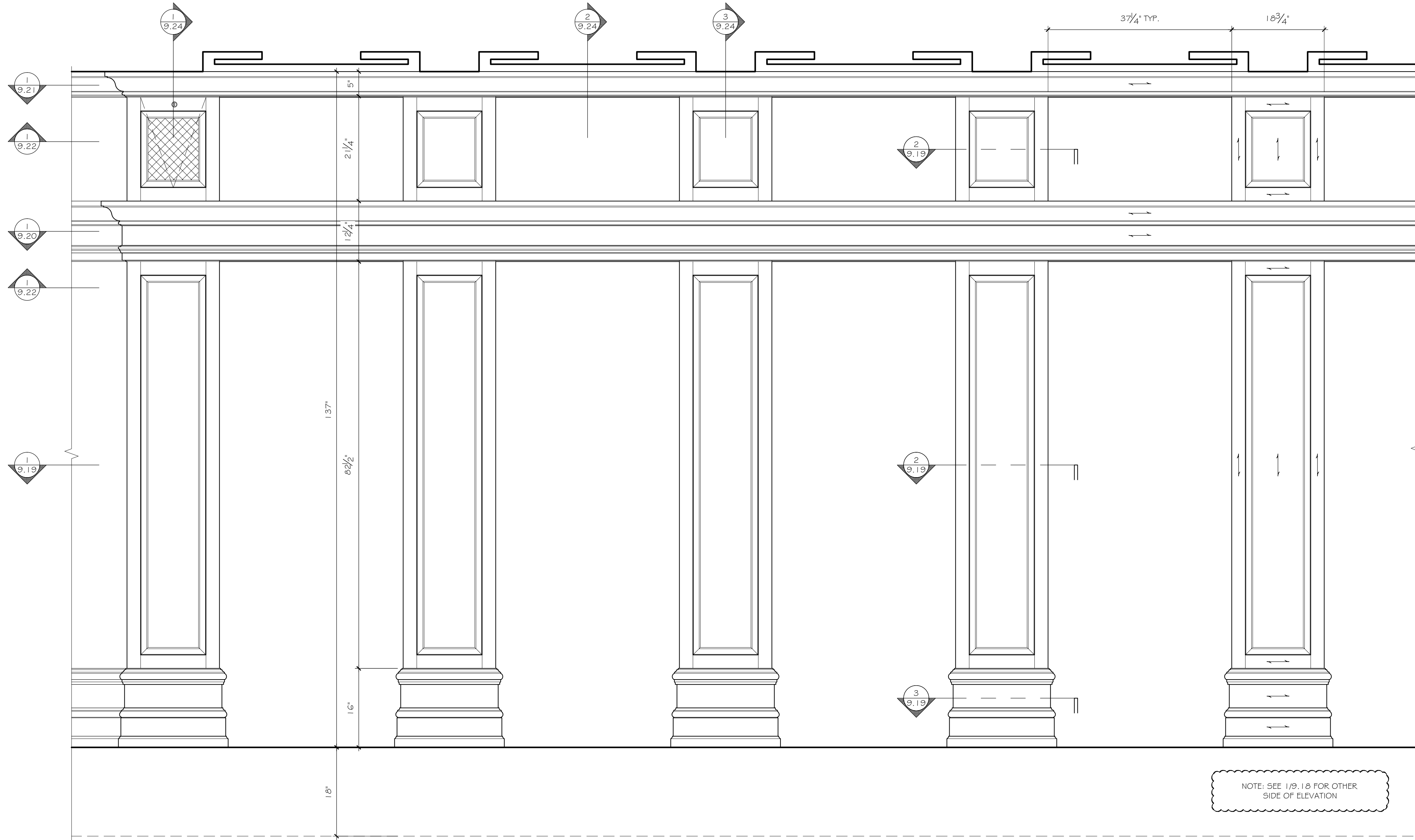
**blacks outsourcing, inc.**  
 Architectural Woodwork Engineering  
 Our business is drawing yours

9.01

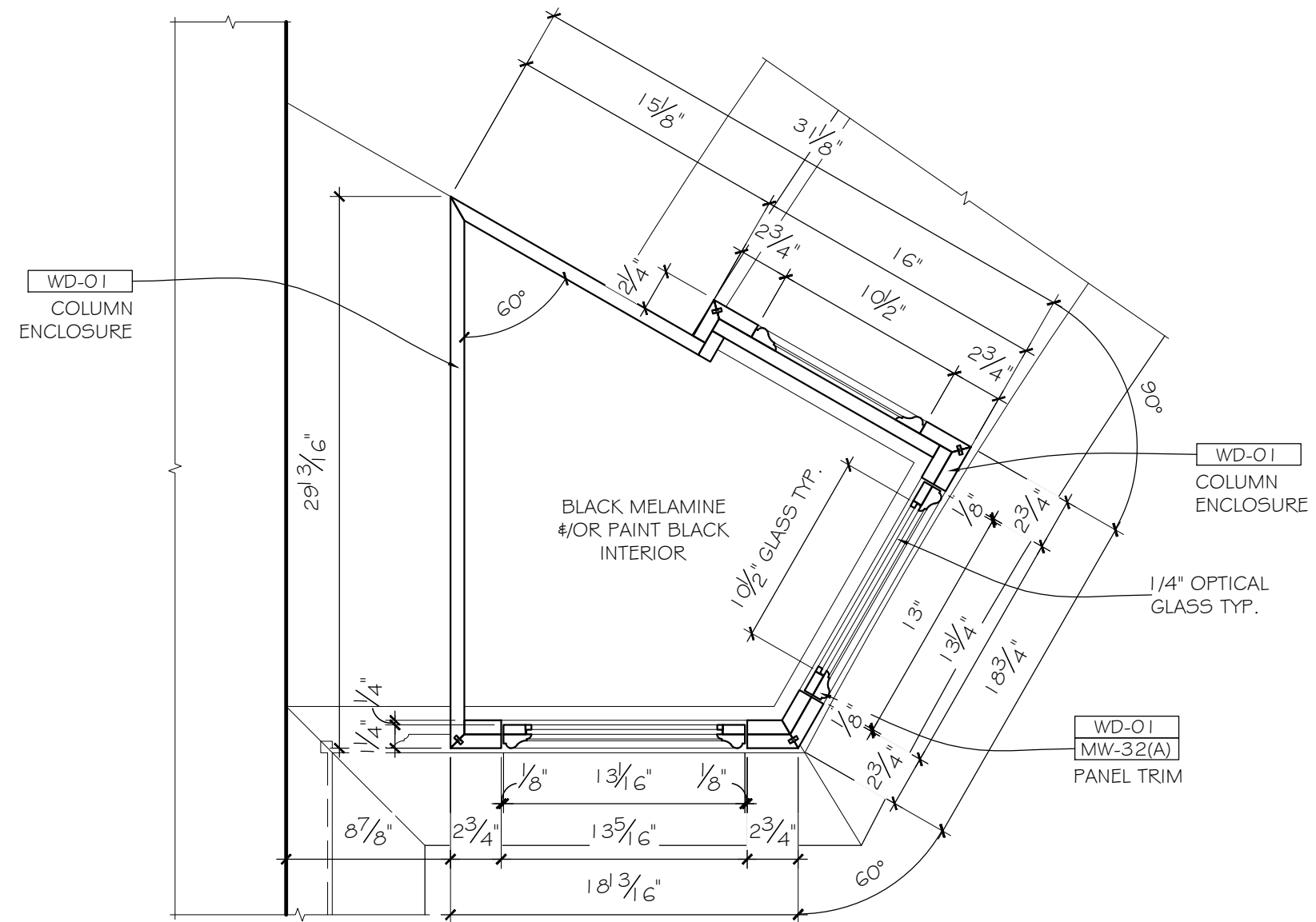
# INSTITUTIONAL



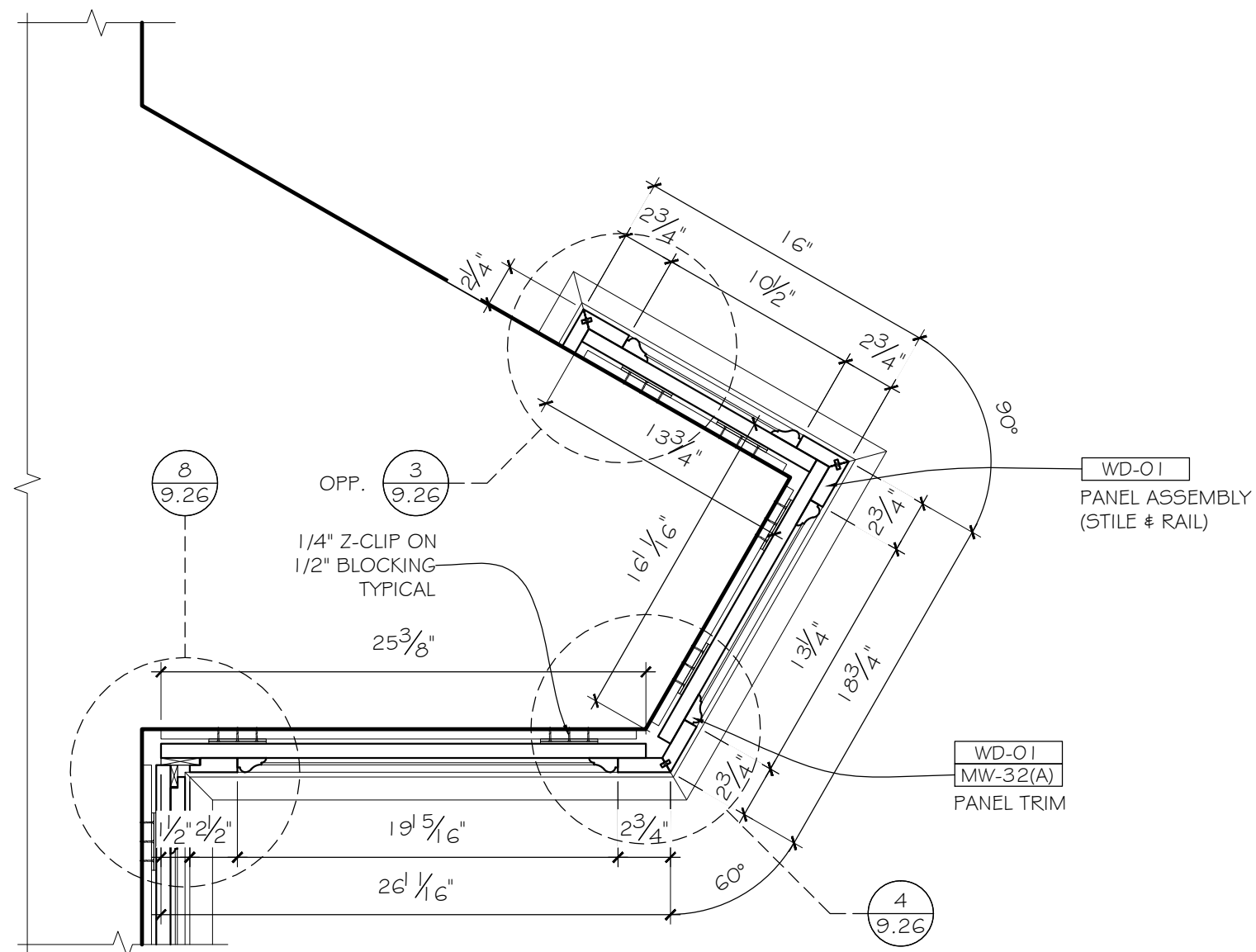
1 ELEVATION:  
9.17 SCALE: 1"=12" ARCH. REF.: 4/A5.0



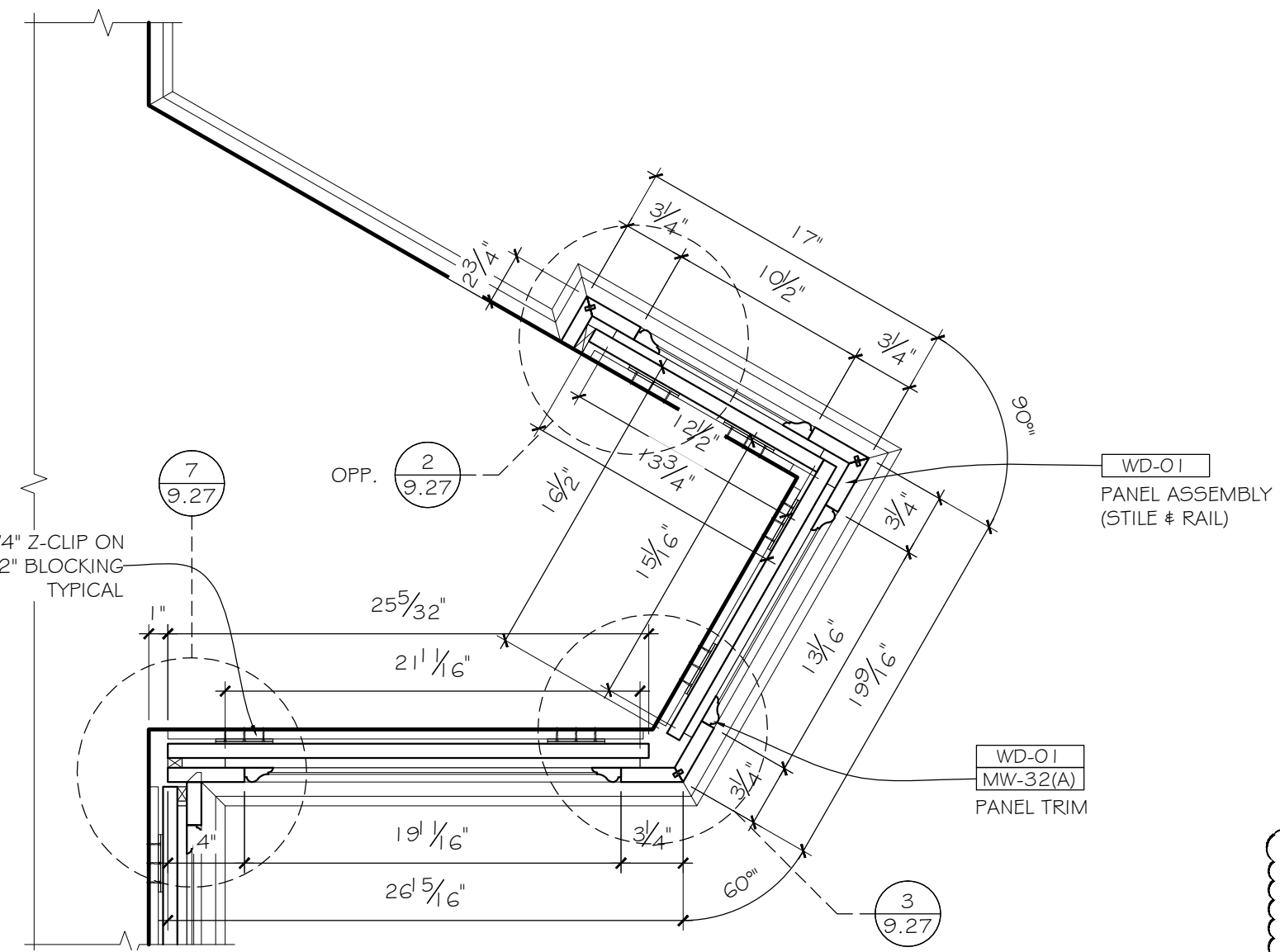
2 ELEVATION: PARTIAL  
9.17 SCALE: 1"=12" ARCH. REF.: 4/A5.0



3 PLAN SECTION:  
9.17 SCALE: 1-1/2"=12" ARCH. REF.: P-134A



4 PLAN SECTION:  
9.17 SCALE: 1-1/2"=12" ARCH. REF.: P-134A

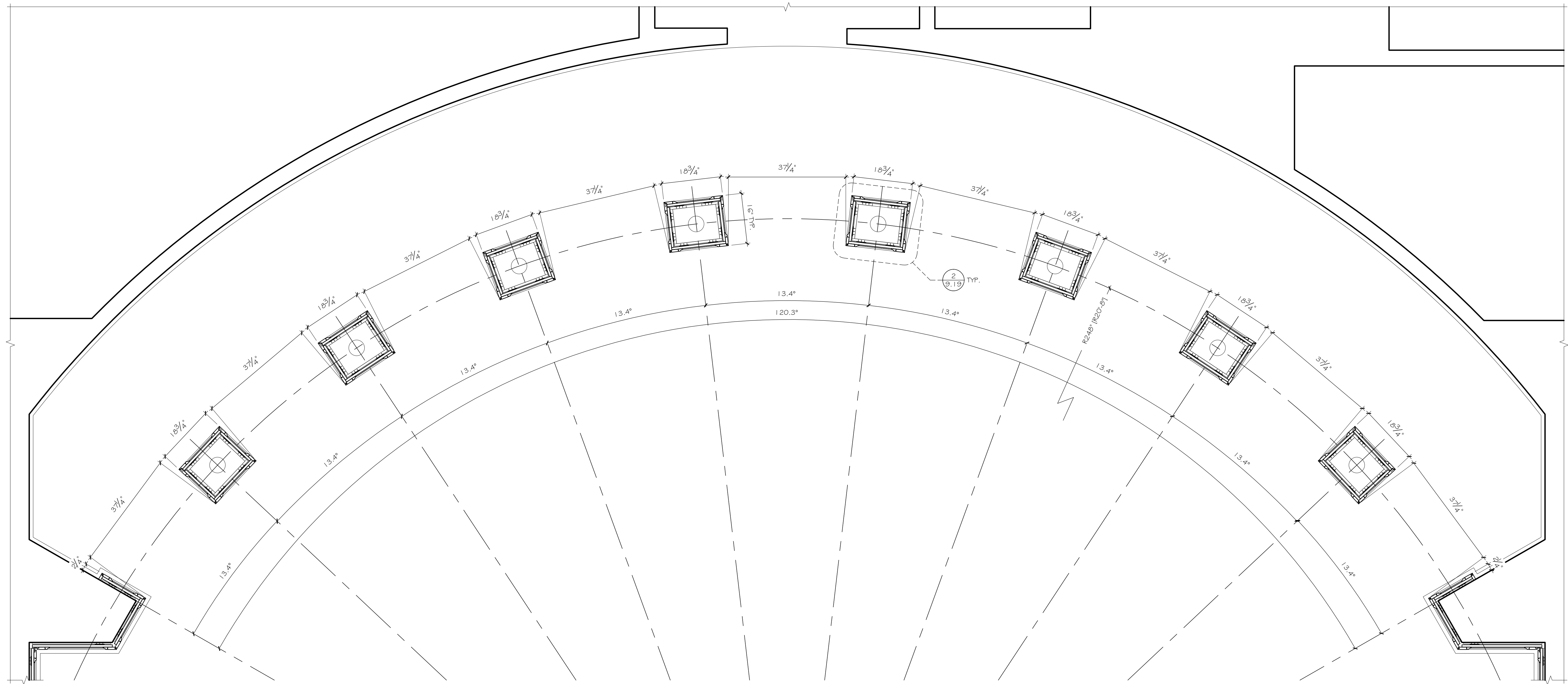


5 PLAN SECTION:  
9.17 SCALE: 1-1/2"=12" ARCH. REF.: P-134A

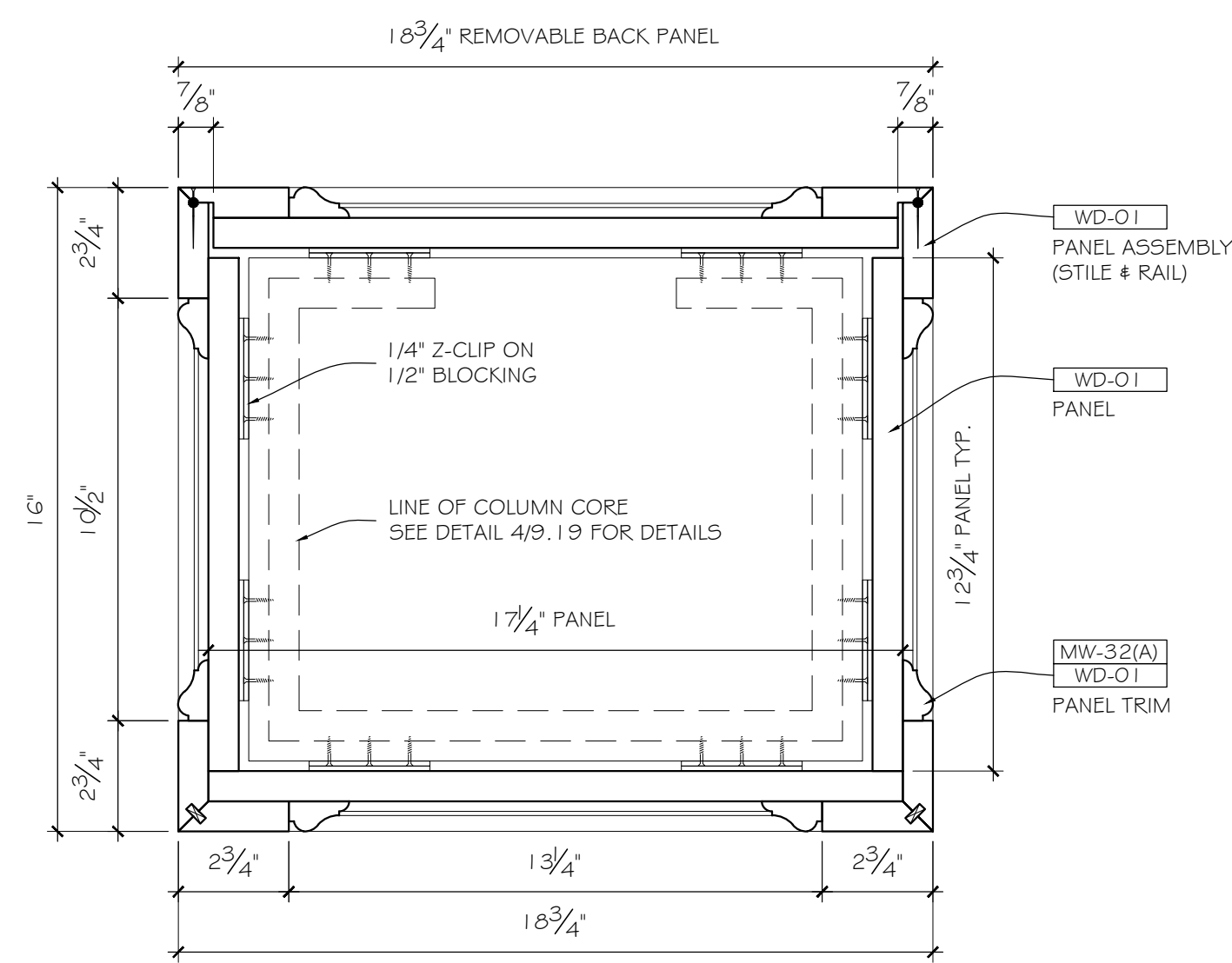
WD-01 ALL TRIM (STILES & RAILS), MOLDINGS, REVEALS, & BASE.  
WD-01A ALL PANELS FACES  
NOTE: SEE RELEVANT SECTIONS / PLAN SECTIONS FOR MOLDING PROFILE CALL OUTS

**blacks outsourcing, inc.**  
Architectural Woodwork Engineering  
Our business is drawing yours

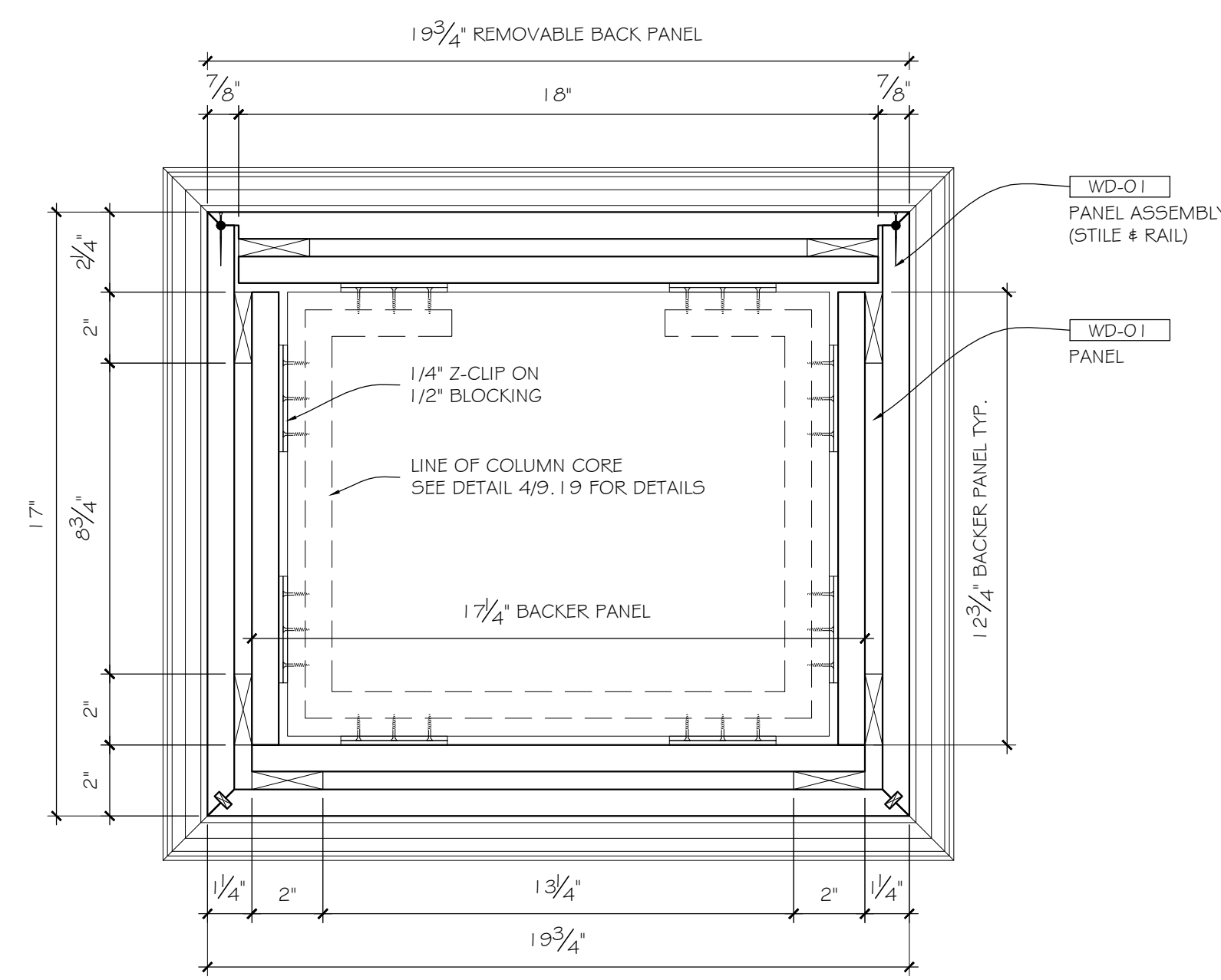
9.17



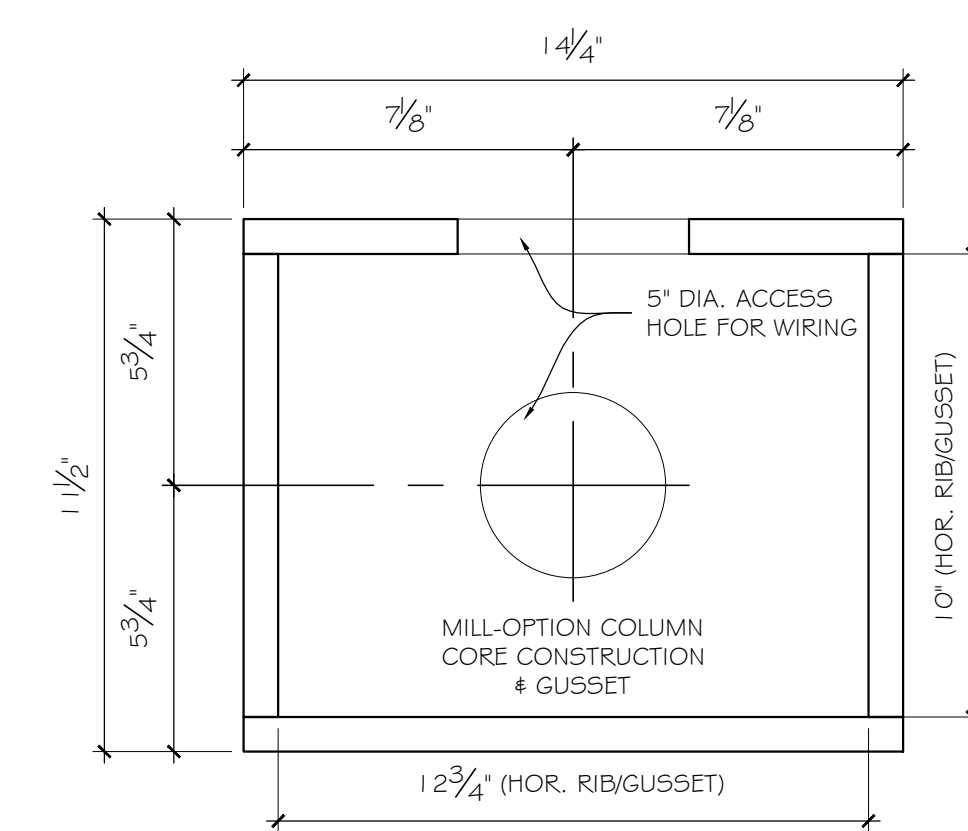
1 PLAN SECTION: COLUMN LOCATION  
 9.19 SCALE: 3/4"=12" ARCH. REF.: 1/A5.0 SIM



2 PLAN SECTION: COLUMN  
 9.19 SCALE: 3"=12" ARCH. REF.: NONE

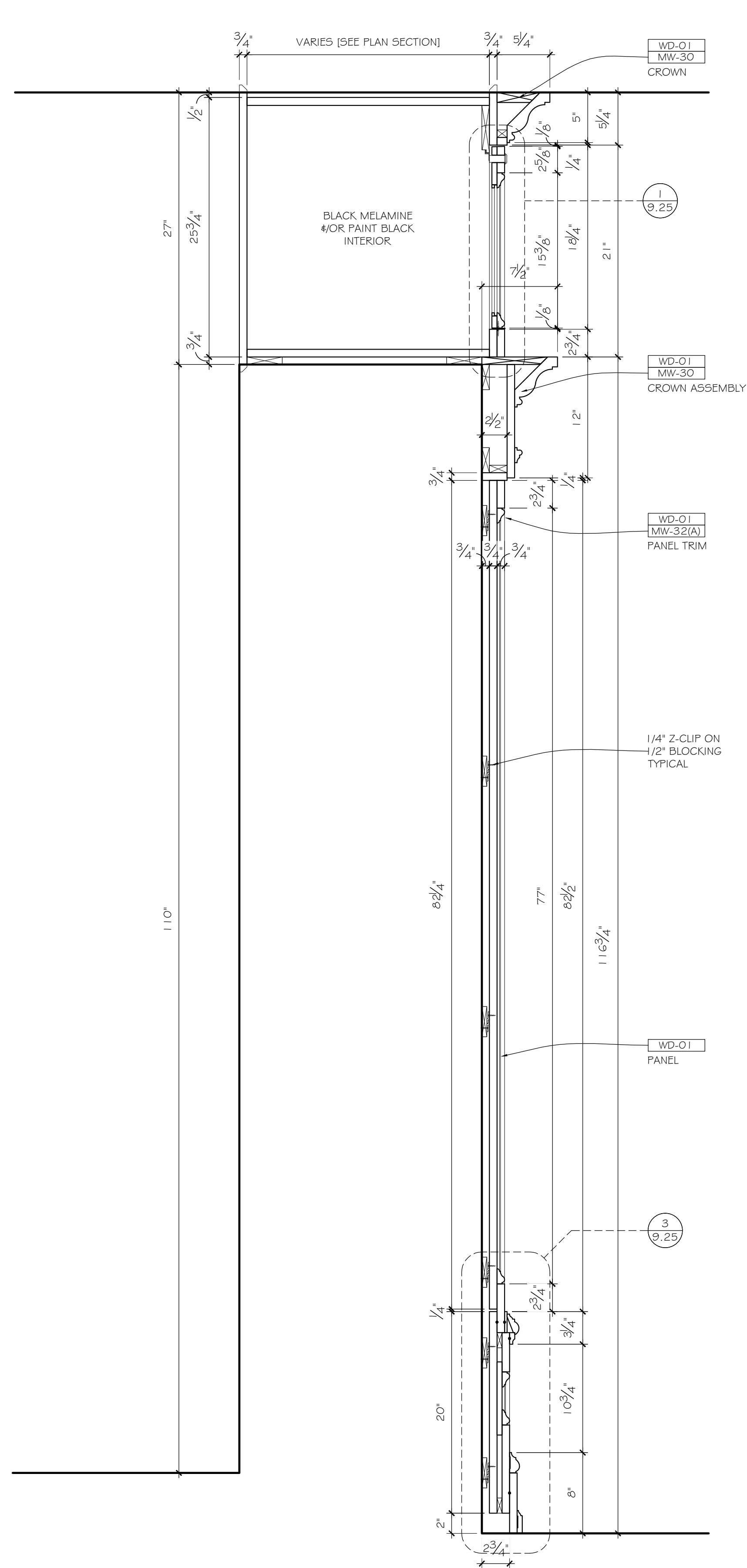


3 PLAN SECTION: COLUMN  
 9.19 SCALE: 3"=12" ARCH. REF.: NONE

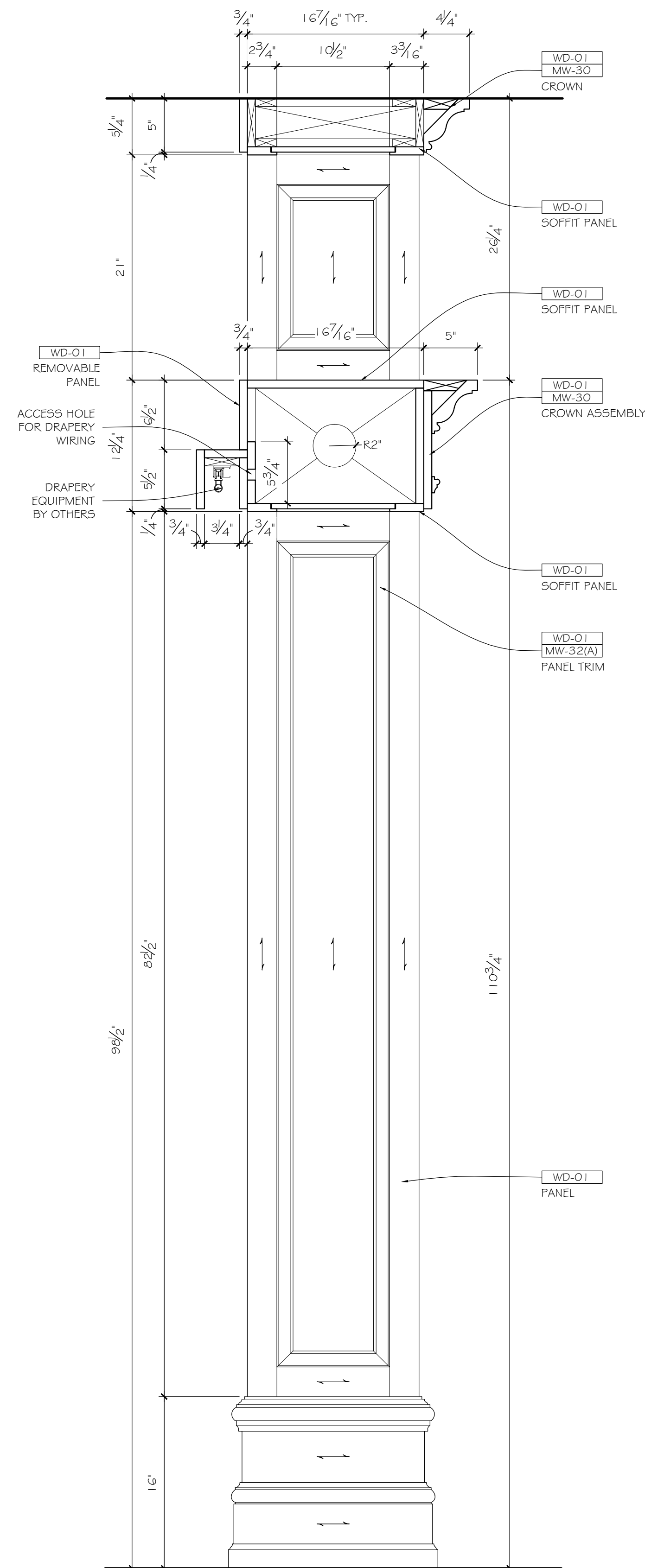


4 PLAN SECTION: COLUMN CORE  
 9.19 SCALE: 3"=12" ARCH. REF.: NONE

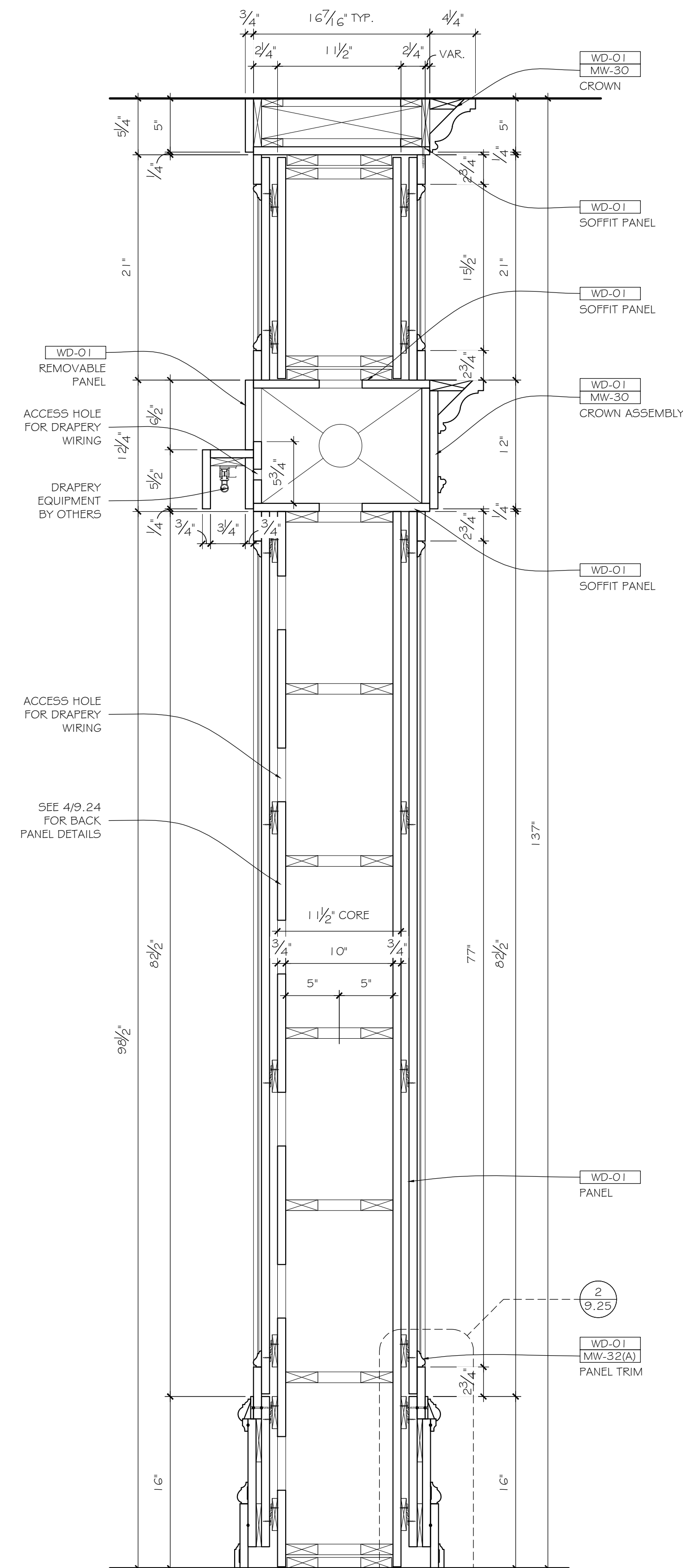
WD-01 ALL TRIM (STILES & RAILS), MOLDINGS, REVEALS, & BASE.  
 WD-01A ALL PANELS FACES  
 NOTE: SEE RELEVANT SECTIONS / PLAN SECTIONS FOR MOLDING PROFILE CALL OUTS



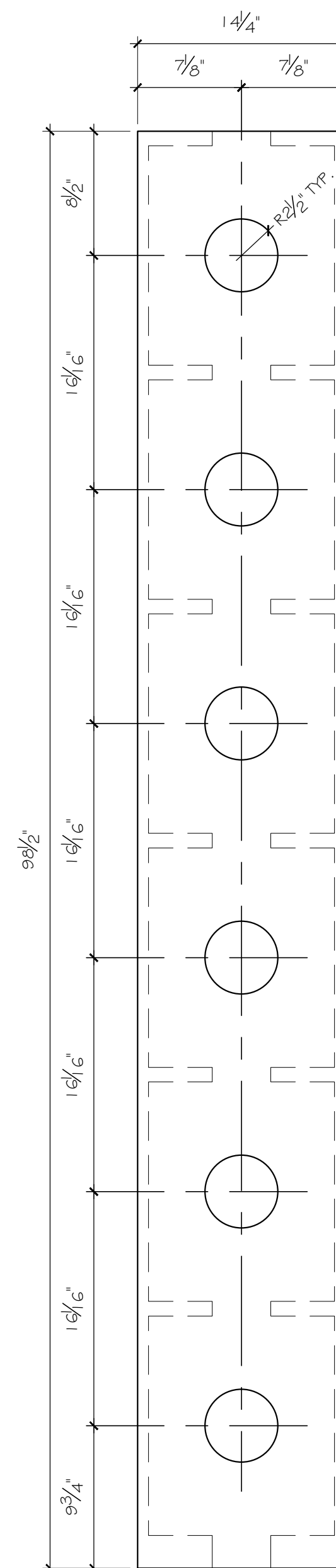
1 SECTION:  
9.24 SCALE: 1-1/2"=12" ARCH. REF.: NONE



2 SECTION:  
9.24 SCALE: 1-1/2"=12" ARCH. REF.: 3/A5.0.1 51M



3 SECTION:  
9.24 SCALE: 1-1/2"=12" ARCH. REF.: 2/A5.0.1 51M



4 ELEVATION: REM. BACK  
9.24 SCALE: 1-1/2"=12" ARCH. REF.: NONE

INSTITUTIONAL

**blacks outsourcing, inc.**  
Architectural Woodwork Engineering  
Our business is drawing yours

9.24

