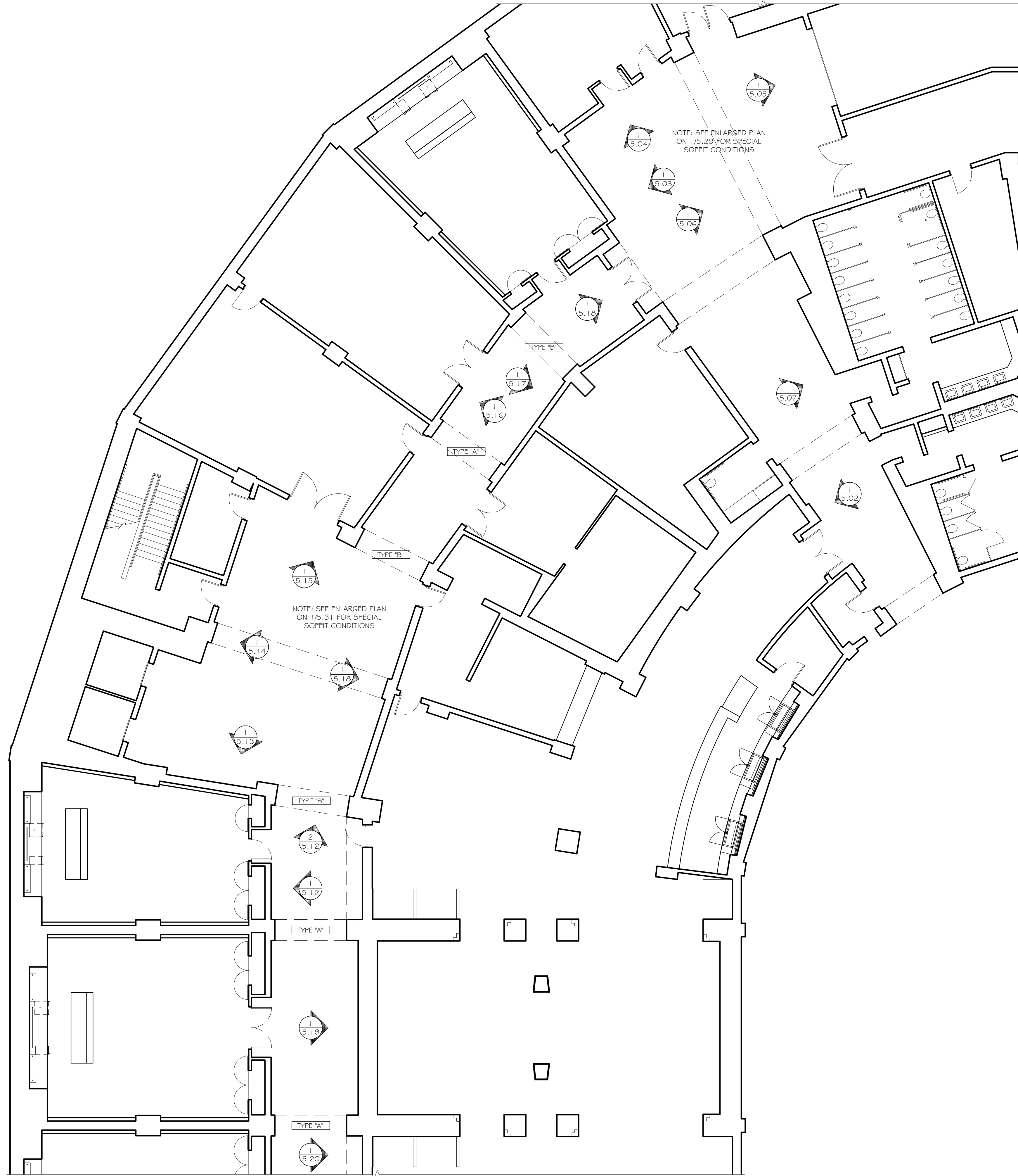


1 PLAN: EVENT LEVEL - SECTOR I
 5.00 SCALE: 1/8"=12" ARCH. REF.: 1/A-111

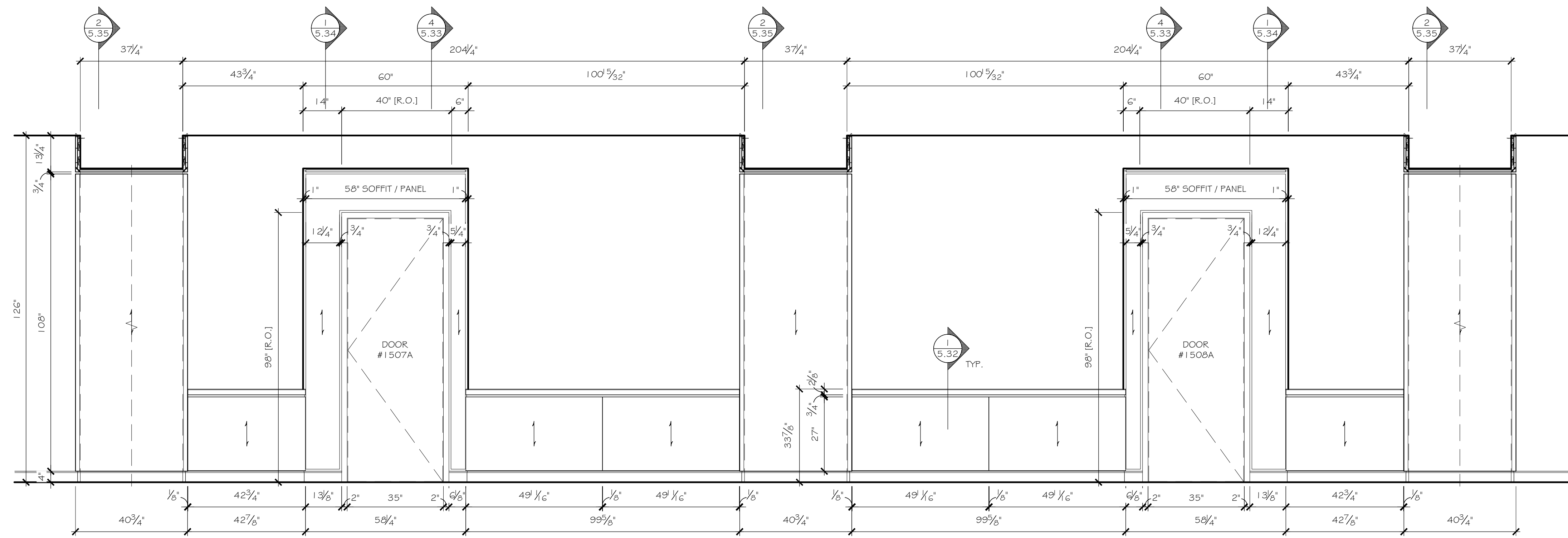


SOFFIT PANEL LEGEND	
TYPE 'A'	REFER TO DETAIL 3/5.31 FOR SOFFIT DETAILS
TYPE 'B'	REFER TO DETAIL 4/5.31 FOR SOFFIT DETAILS

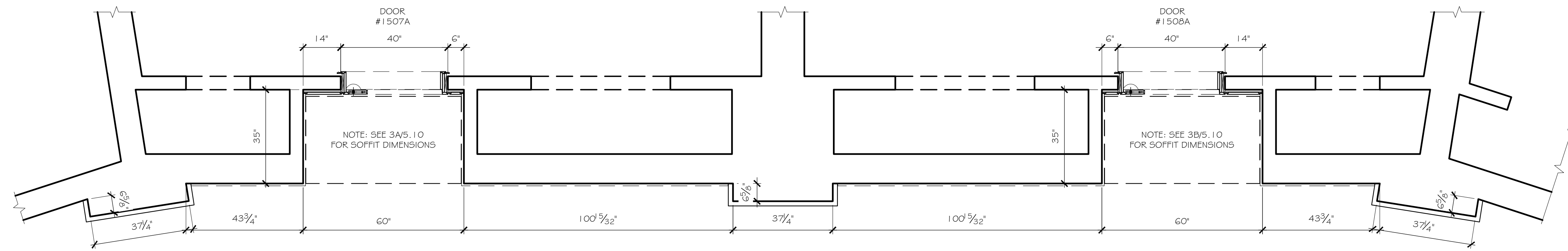
HOSPITALITY

blacks outsourcing, inc.
 Architectural Woodwork Engineering
 Our business is drawing yours

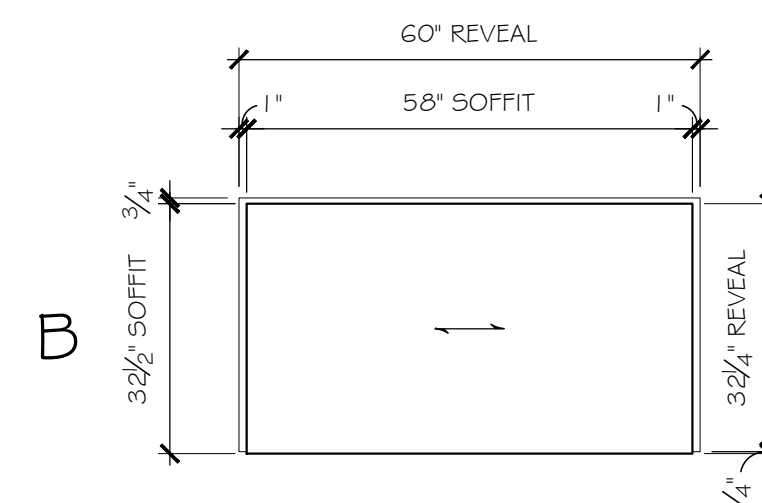
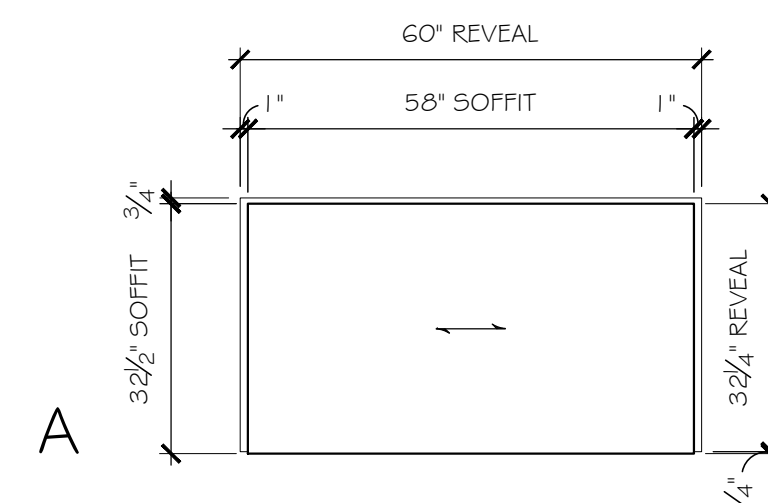
1-5.00



1 ELEVATION: CORRIDOR #1423
 5.10 SCALE: 1/2"=12" ARCH. REF.: 4/A-517-4

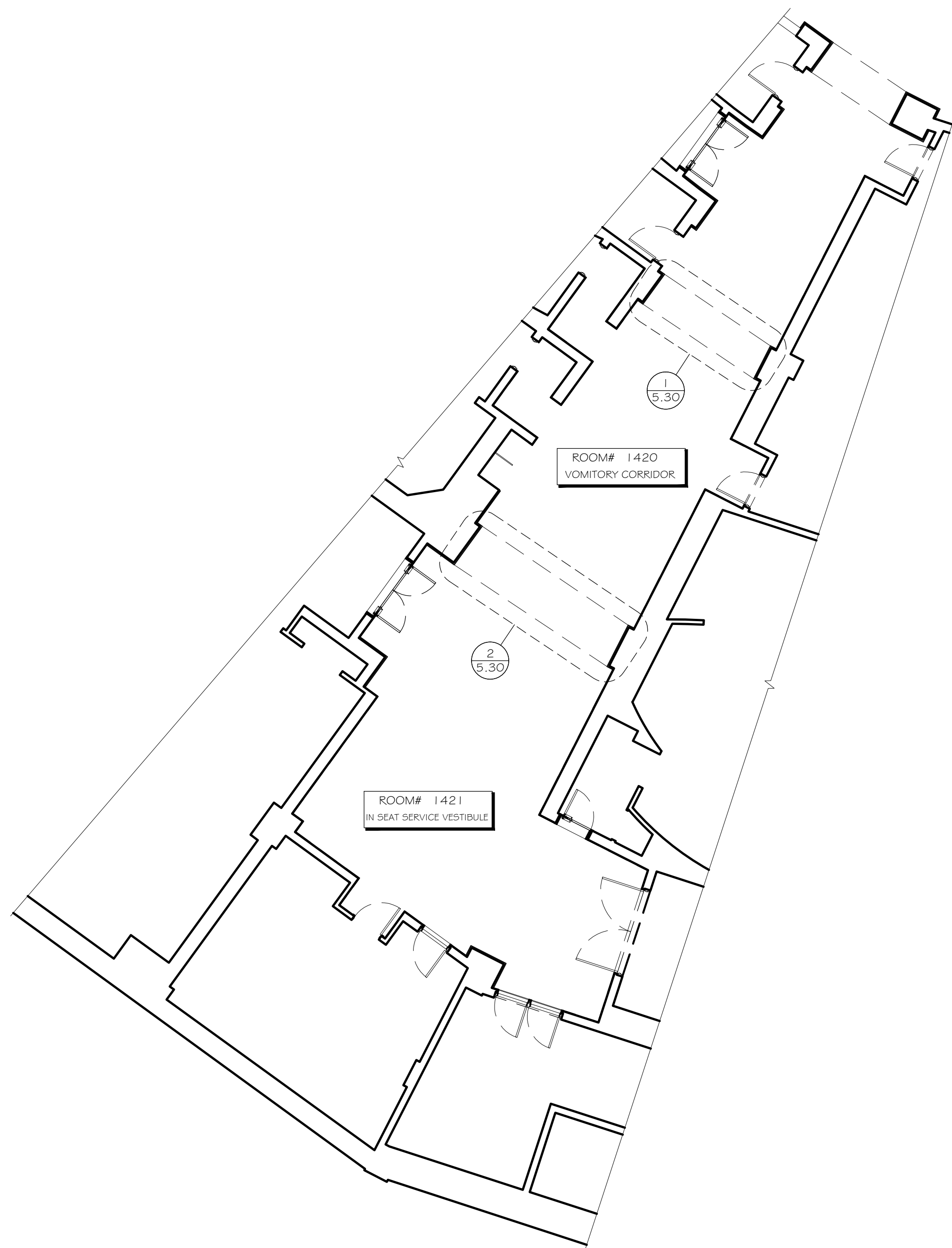


2 ENLARGED PLAN
 5.10 SCALE: 1/2"=12" ARCH. REF.: 4/A-114

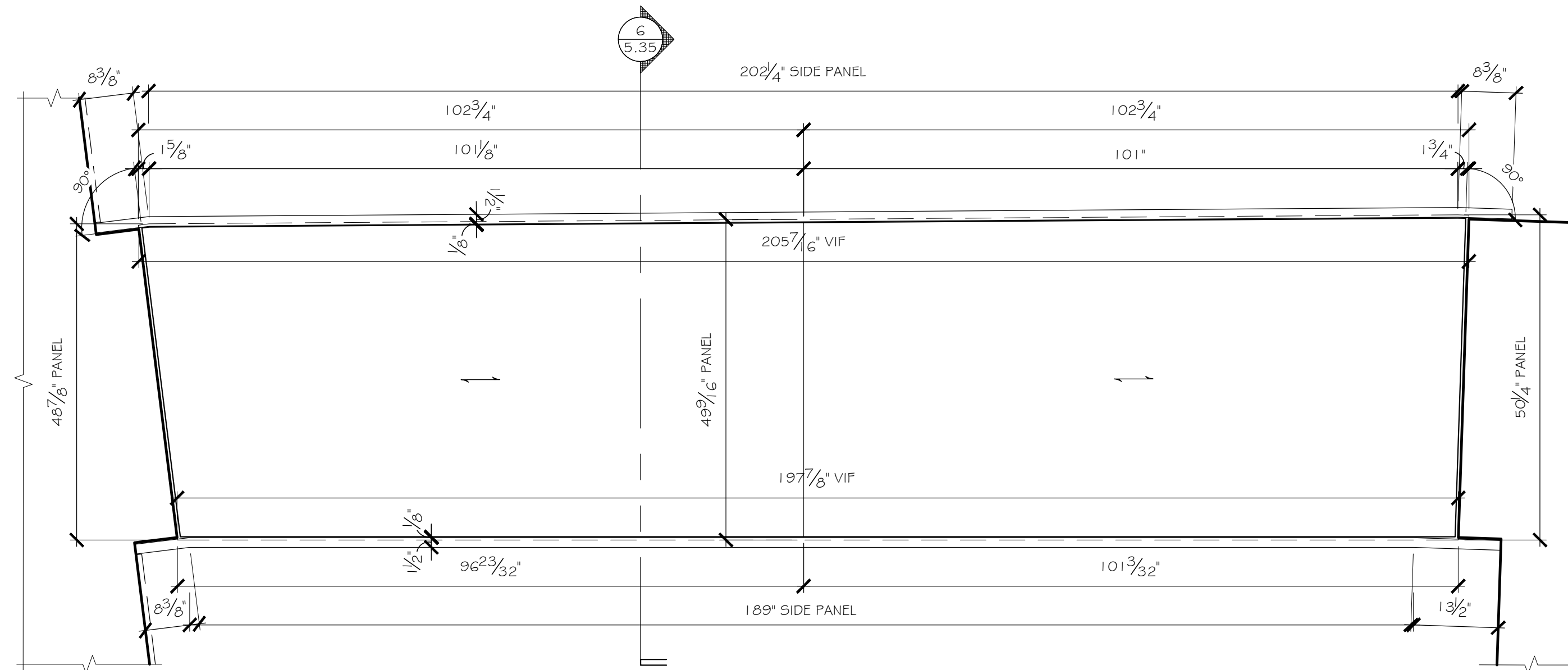


3 RCP: SOFFIT PANELS
 5.10 SCALE: 1/2"=12" ARCH. REF.: 1/AR-111

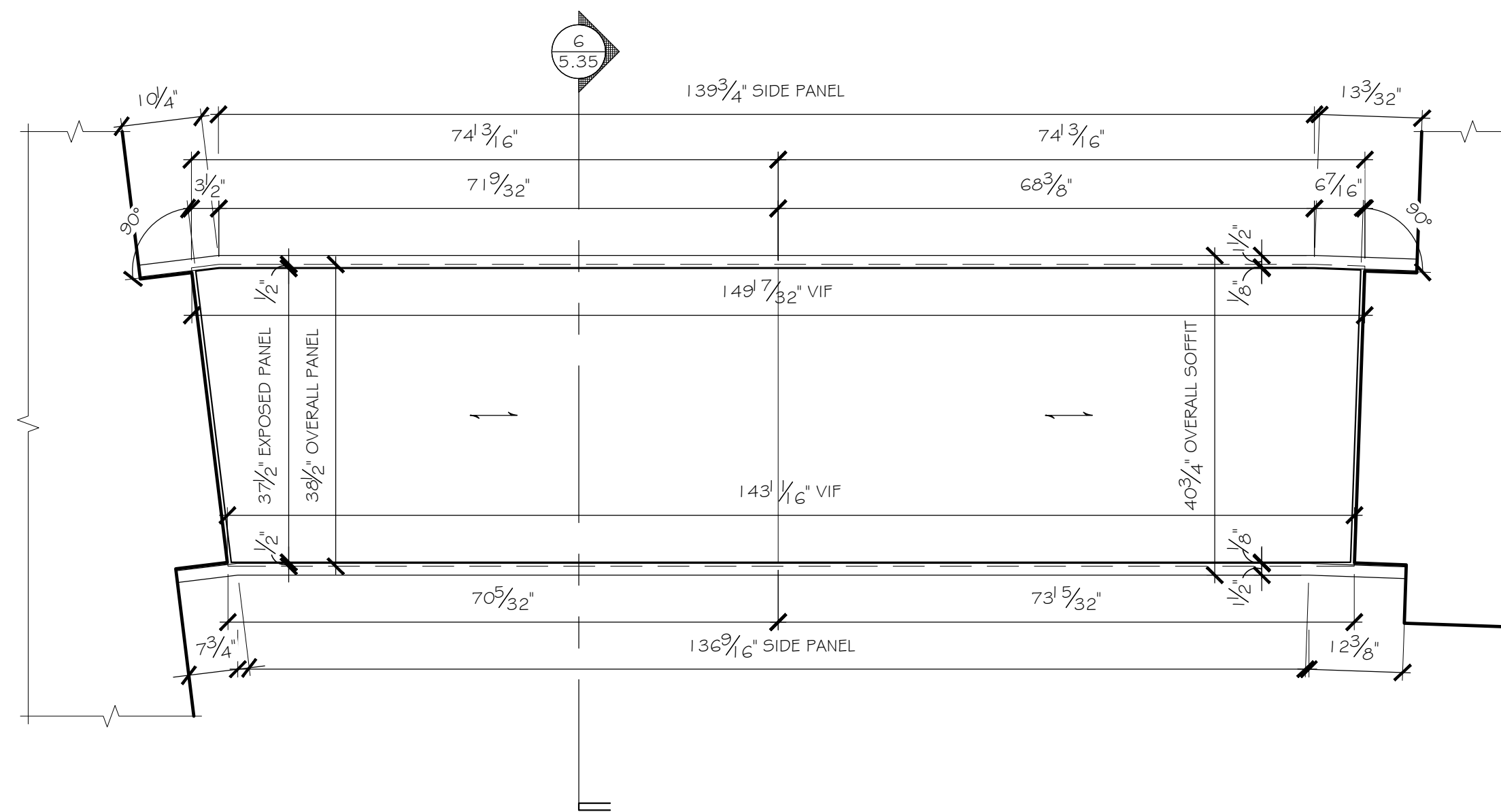
NOTES:
 WS-27 ALL PANELING, WAINSCOT, & SOFFIT PANEL ASSEMBLIES
 ALL ENLARGED PLANS BELOW ELEVATIONS ARE FOR FIELD DIMENSION VERIFICATION
 SEE DETAIL 5/5.28 FOR TYPICAL COLUMN CONSTRUCTION
 COORDINATE WITH DOOR VENDOR SCHEDULE FOR JAMB REQUIREMENTS



1 ENLARGED PLAN: VOMITORY CORRIDOR #1420 & IN SEAT SERVICE VESTIBULE #1421
 5.30 SCALE: 1/8"=12" ARCH. REF.: 1/AR-111

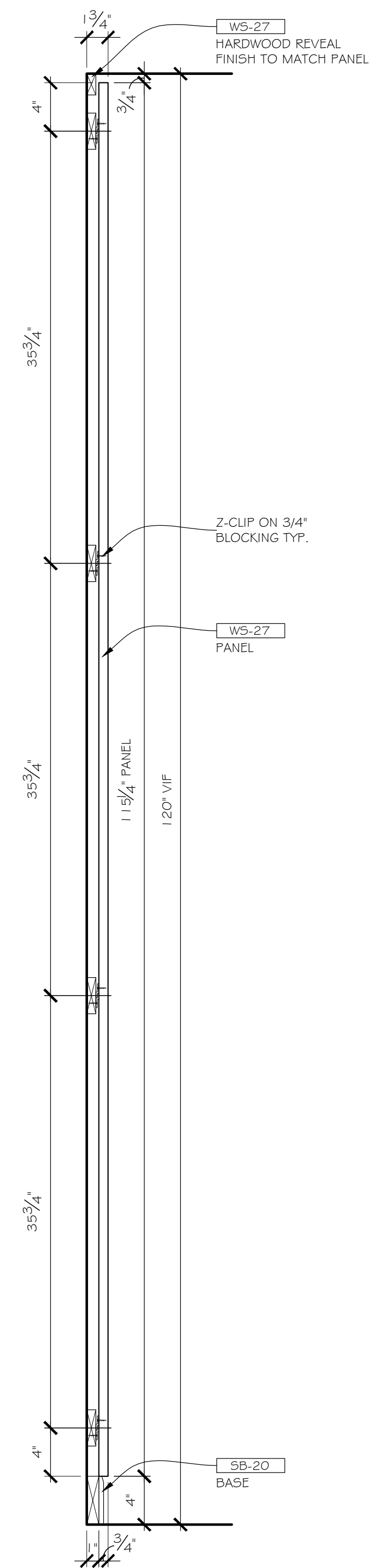


2 RCP: SOFFIT PANEL
 5.30 SCALE: 3/4"=12" ARCH. REF.: 1/AR-111

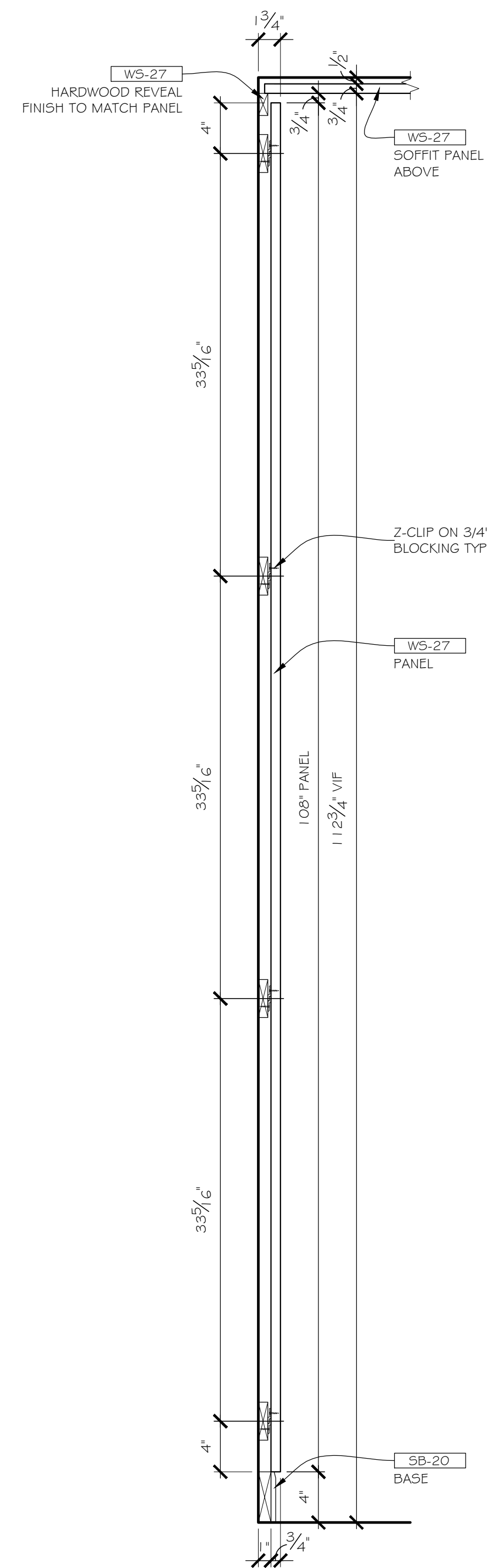


3 RCP: SOFFIT PANEL
 5.30 SCALE: 3/4"=12" ARCH. REF.: 1/AR-111

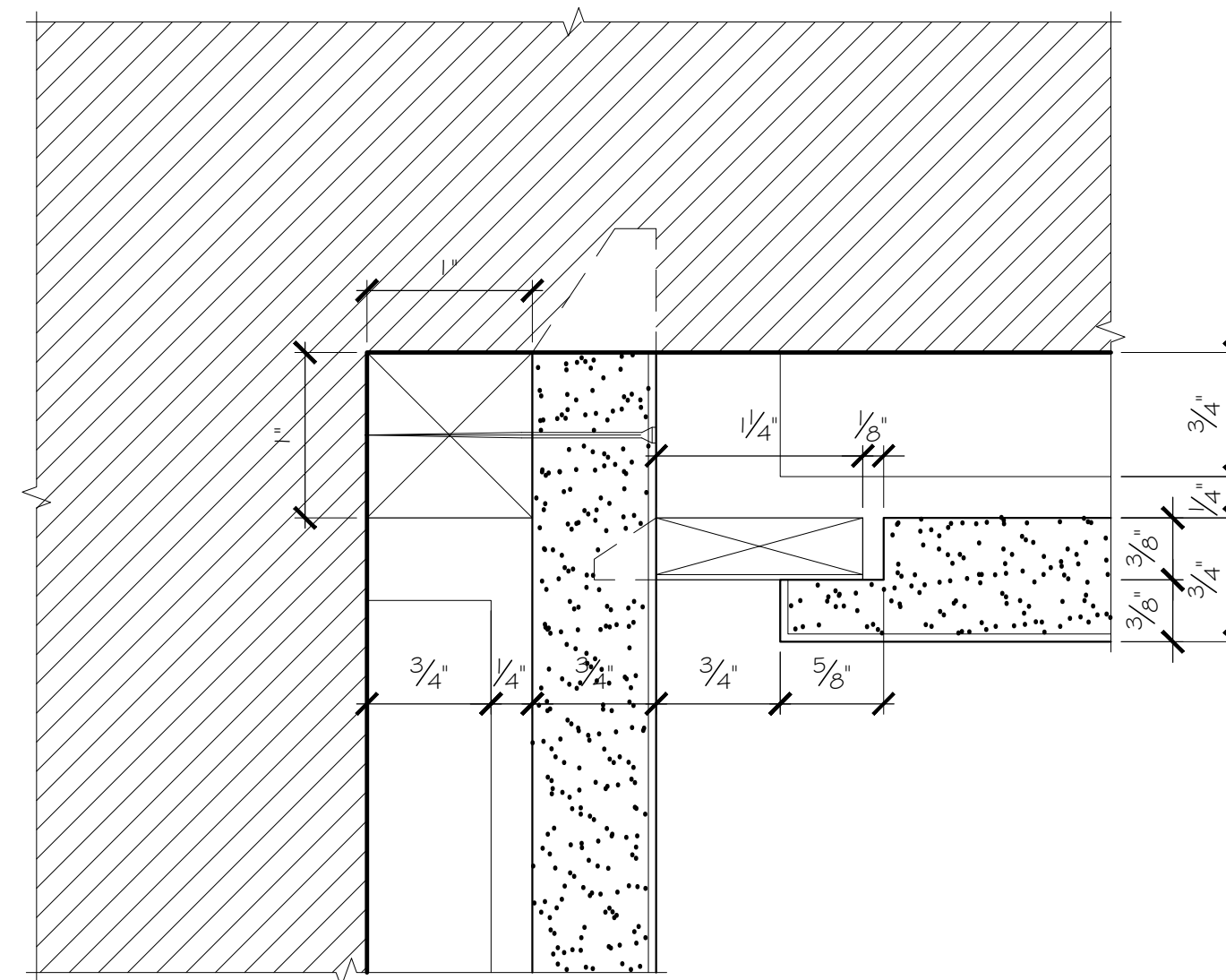
NOTES:
 WS-27 ALL PANELING, WAINSCOT, & SOFFIT PANEL ASSEMBLIES
 ALL ENLARGED PLANS BELOW ELEVATIONS ARE FOR FIELD DIMENSION VERIFICATION
 SEE DETAIL 5/5.28 FOR TYPICAL COLUMN CONSTRUCTION
 COORDINATE WITH DOOR VENDOR SCHEDULE FOR JAMB REQUIREMENTS



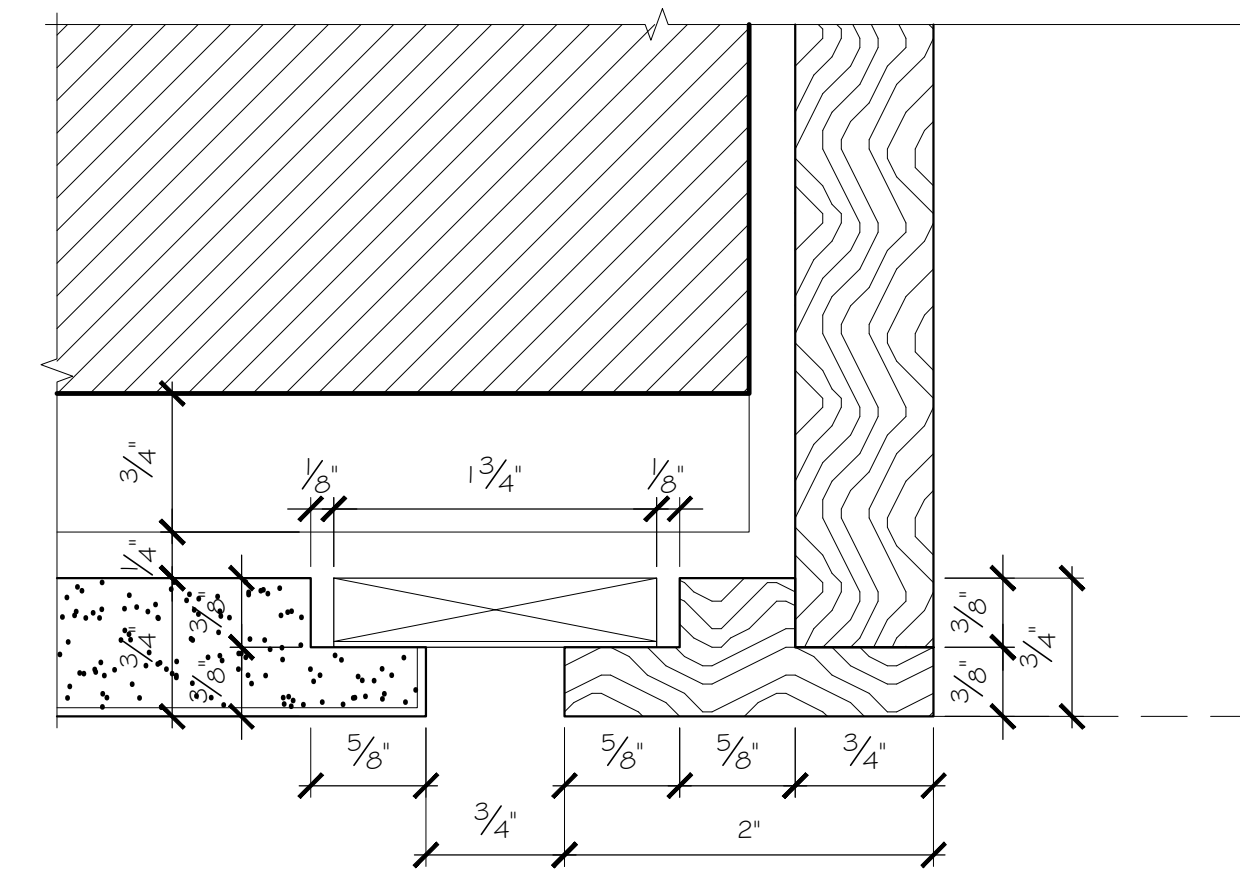
1 SECTION:
5.35 SCALE: 3/4"=12" ARCH. REF.: NONE



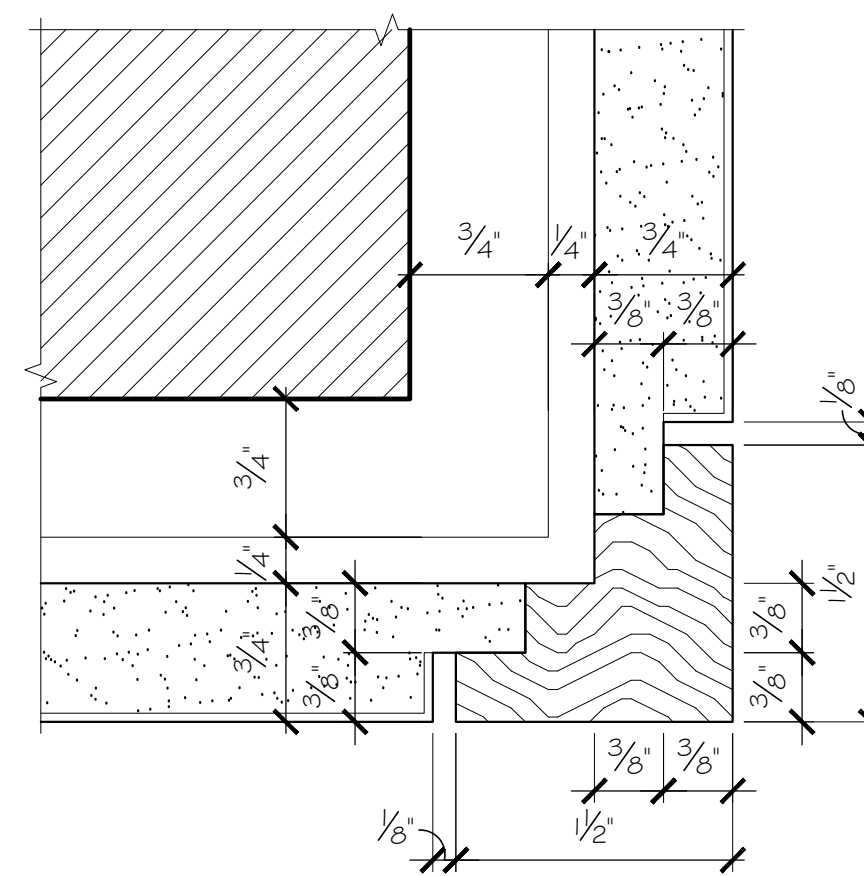
2 SECTION:
5.35 SCALE: 3/4"=12" ARCH. REF.: NONE



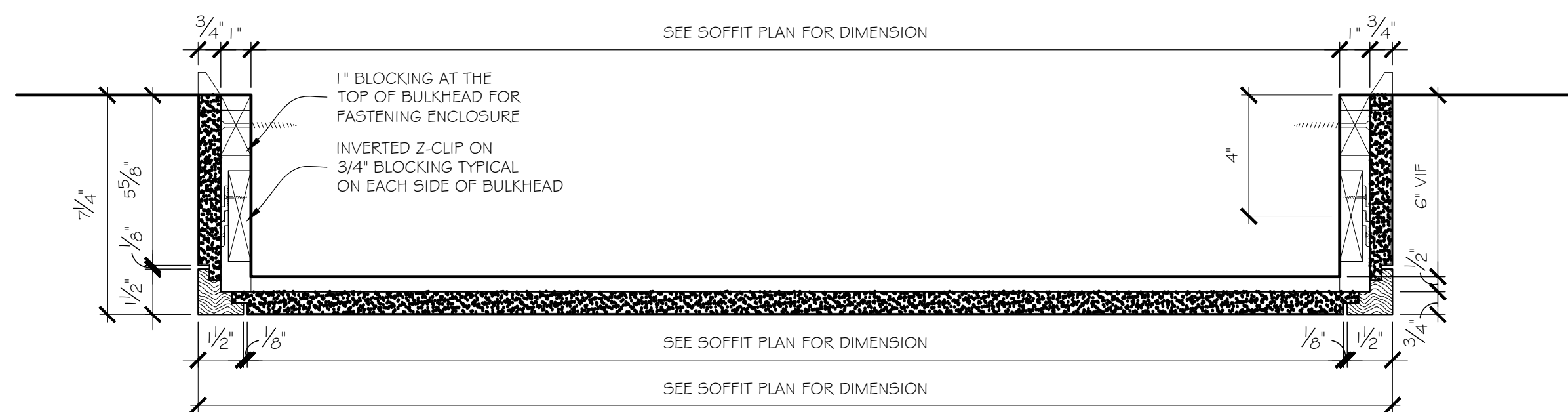
3 DETAIL: CORNER - PANEL TO PANEL
5.35 SCALE: FULL ARCH. REF.: NONE



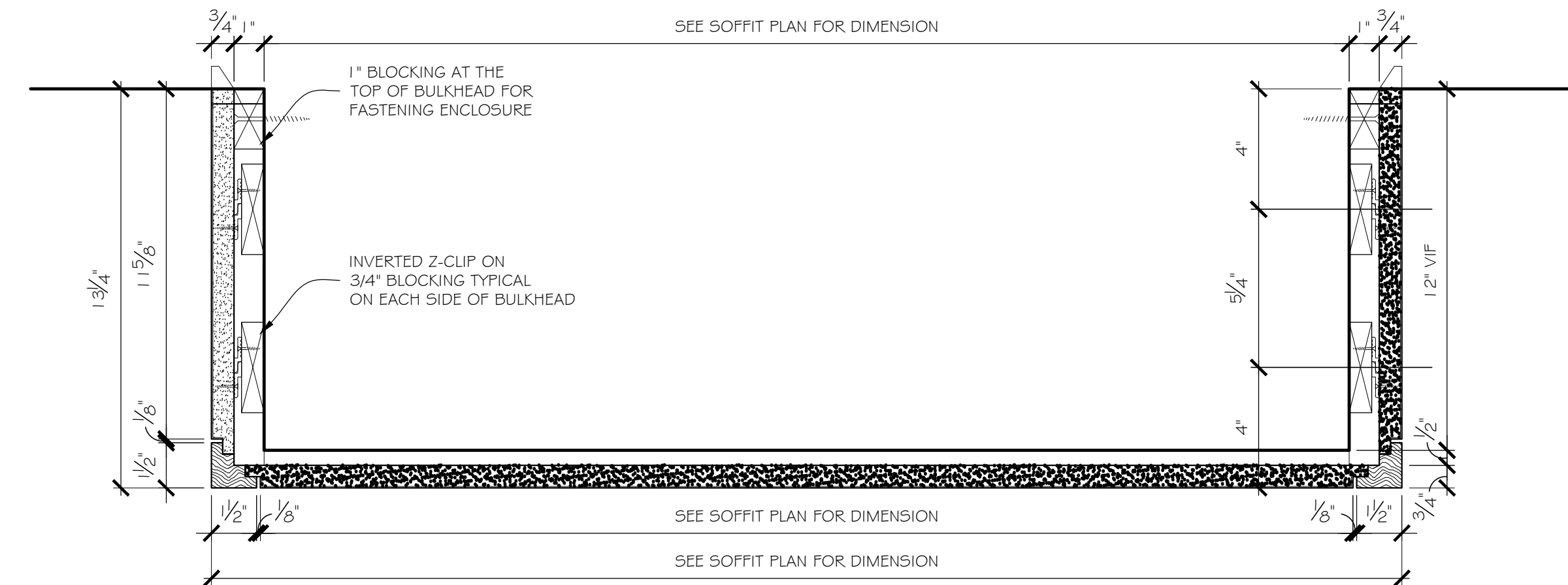
4 DETAIL: CORNER - PANEL TO JAMB
5.35 SCALE: FULL ARCH. REF.: NONE



5 DETAIL: TYPICAL OUTSIDE CORNER
5.35 SCALE: FULL ARCH. REF.: NONE



6 SECTION: TYPICAL SOFFIT
5.35 SCALE: 3"=12" ARCH. REF.: NONE



7 SECTION: TYPICAL SOFFIT
5.35 SCALE: 3"=12" ARCH. REF.: NONE