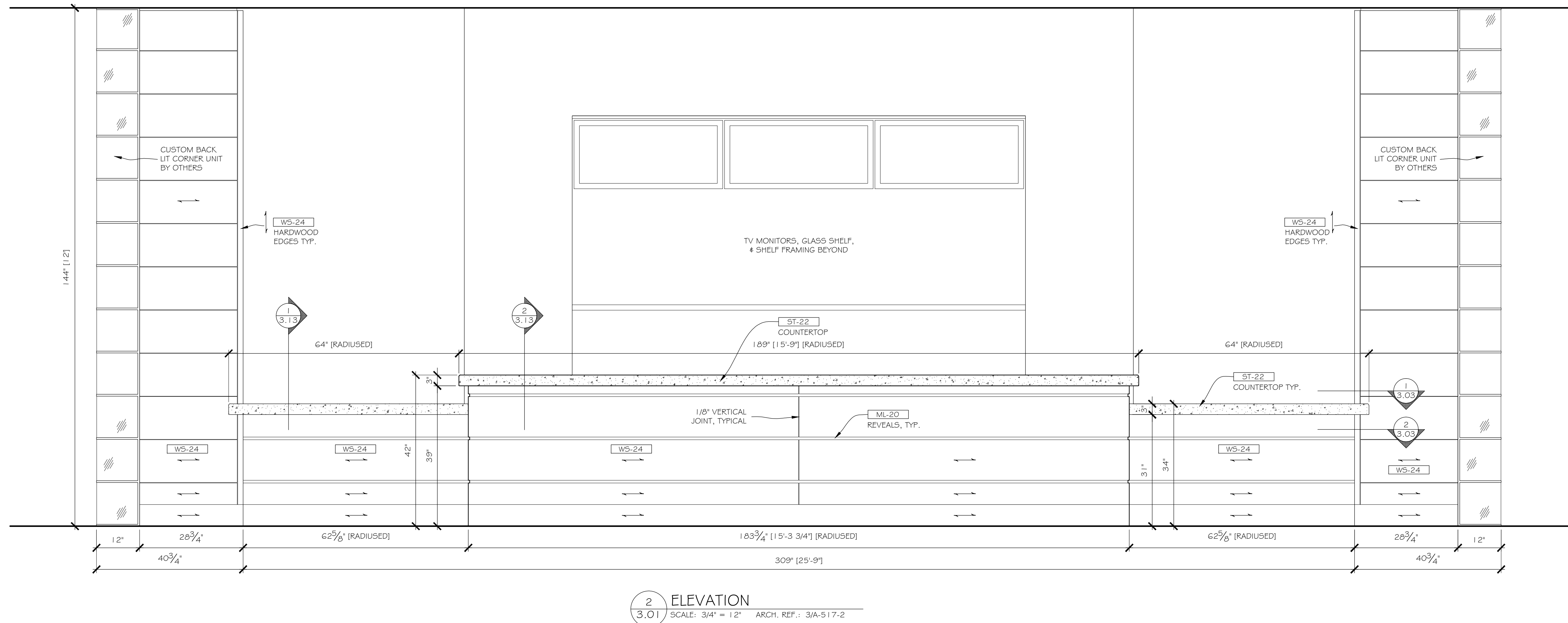
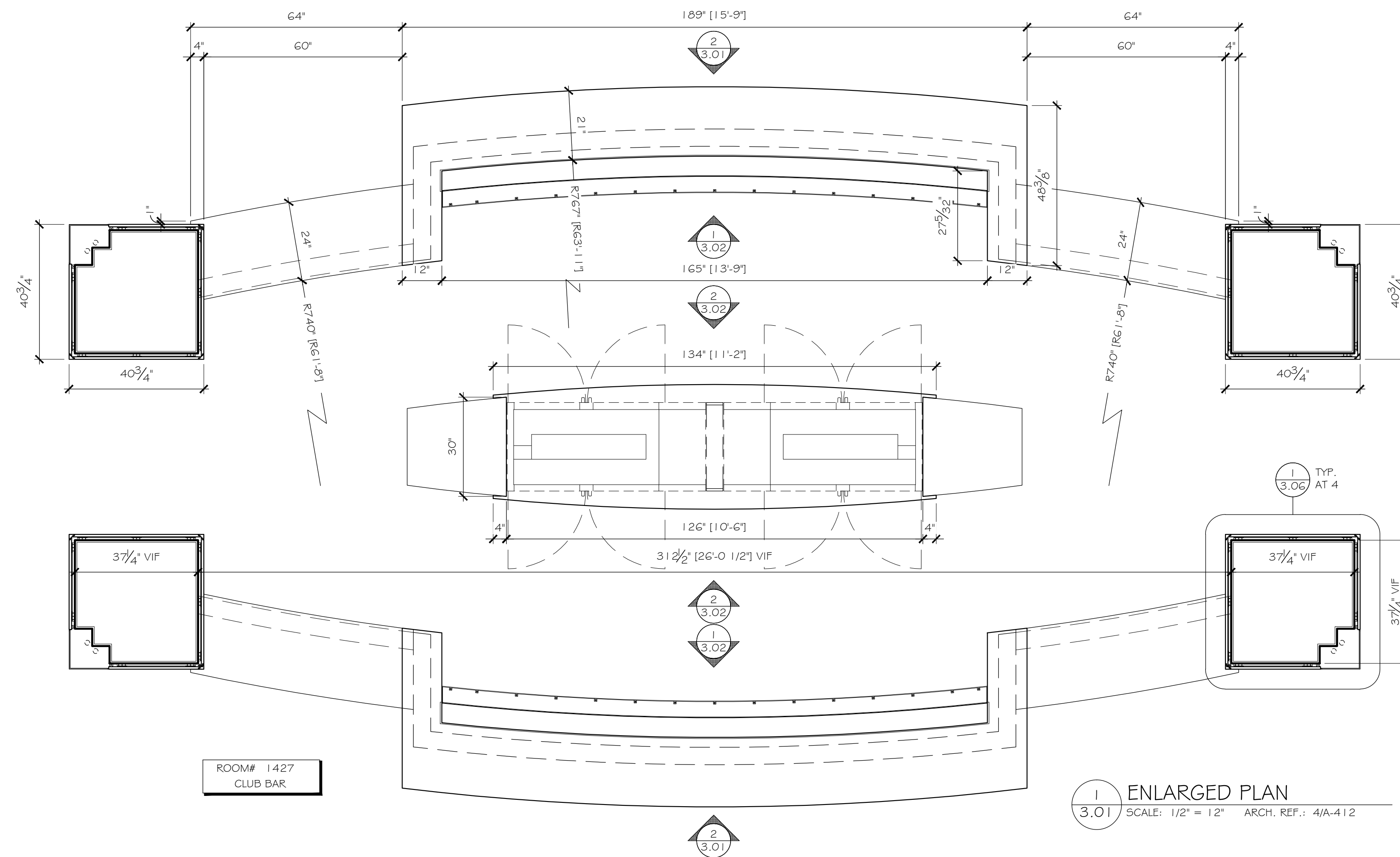


1 KEY PLAN: EVENT LEVEL CLUB
 3.00 SCALE: 3/16" = 12" ARCH. REF.: A-111 & A-114

HOSPITALITY

blacks outsourcing, inc.
 Architectural Woodwork Engineering
 Our business is drawing yours

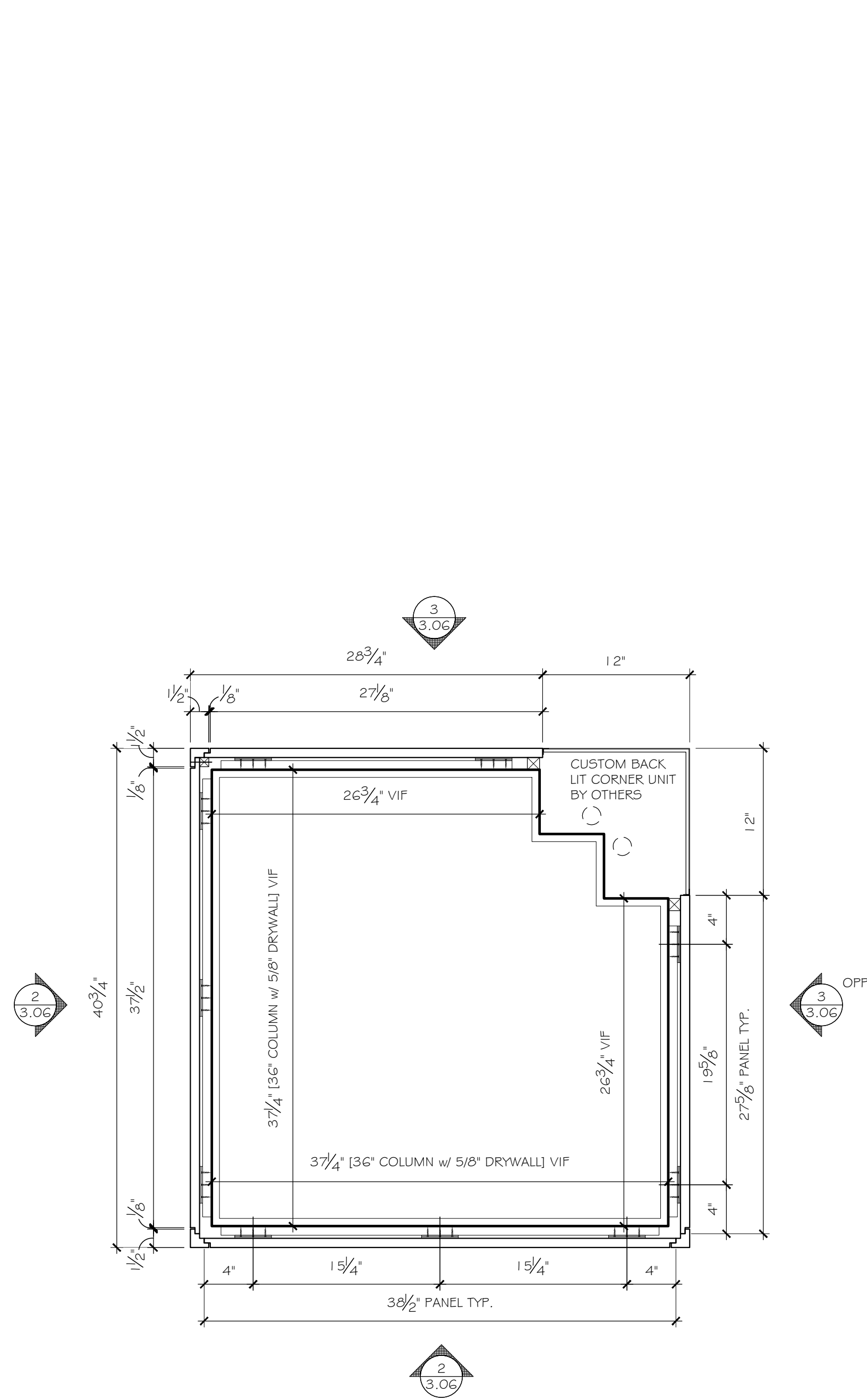
1-3.00



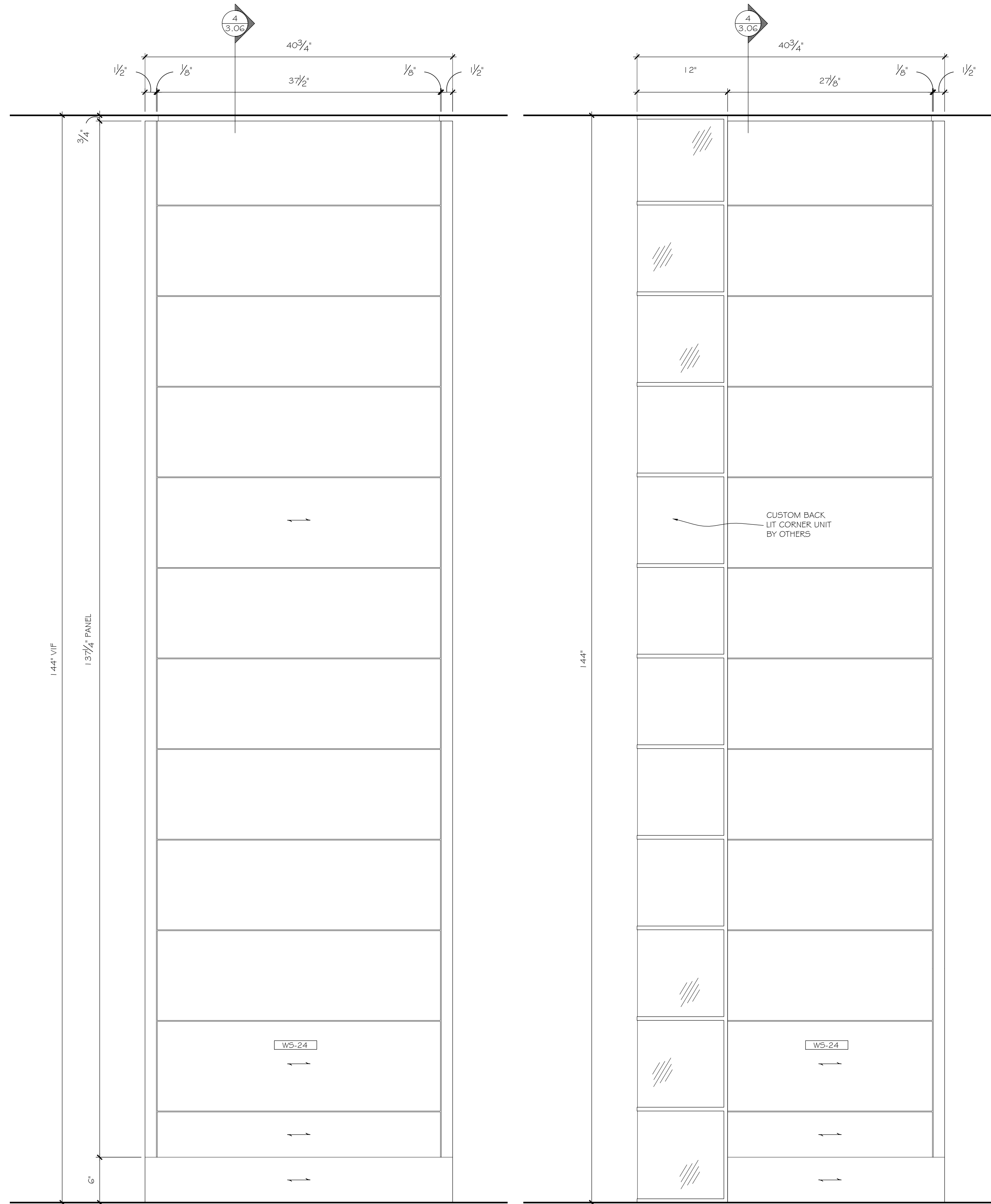
HOSPITALITY

blacks outsourcing, inc.
Architectural Woodwork Engineering
Our business is drawing yours

1-3.01

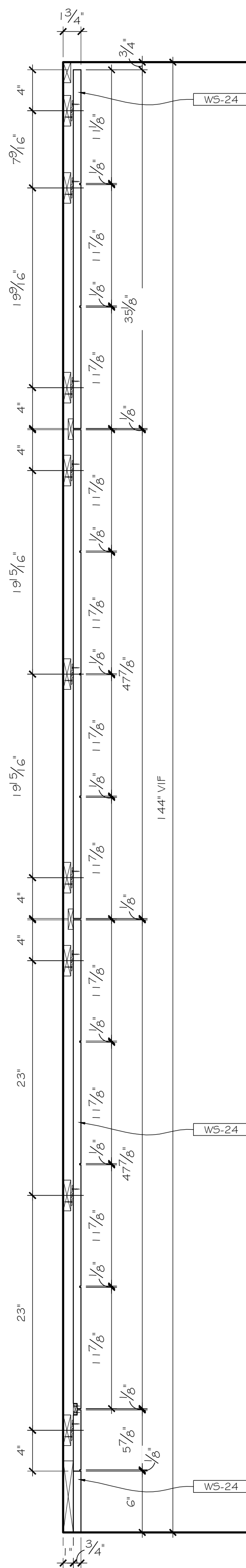


1 SECTION ELEVATION
 3.06 SCALE: 1 1/2" = 12" ARCH. REF.: 4 * 5/A-575



2 ELEVATION
 3.06 SCALE: 1 1/2" = 12" ARCH. REF.: 2 * 3/A-517-2.0

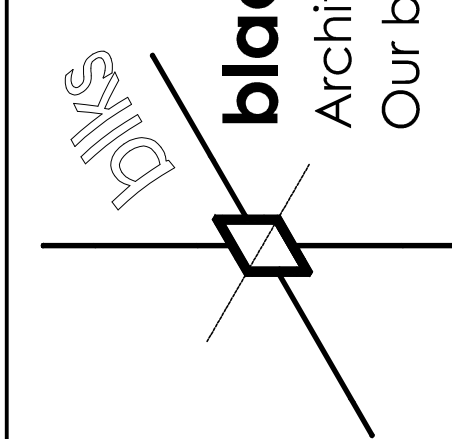
3 ELEVATION
 3.06 SCALE: 1 1/2" = 12" ARCH. REF.: 2 * 3/A-517-2.0



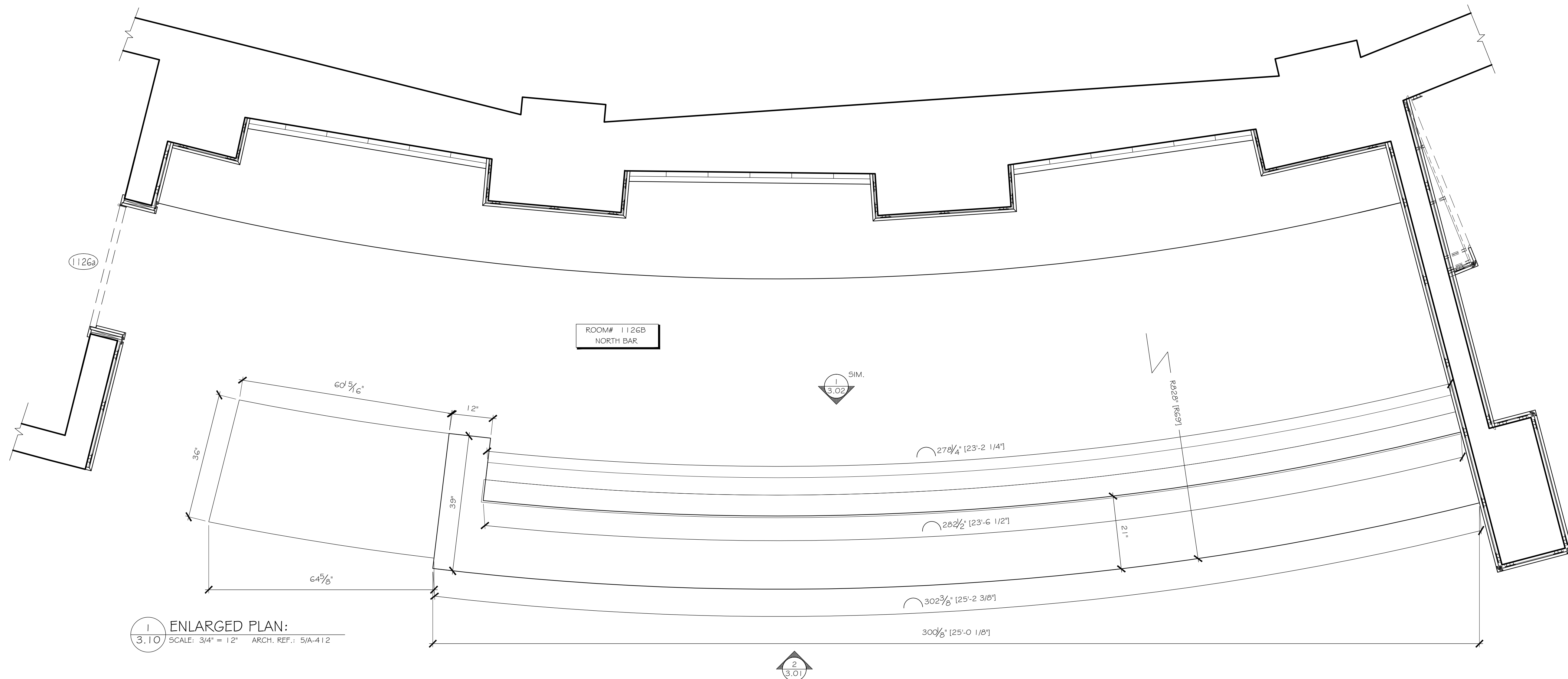
4 SECTION ELEVATION
 3.06 SCALE: 1 1/2" = 12" ARCH. REF.: -

HOSPITALITY

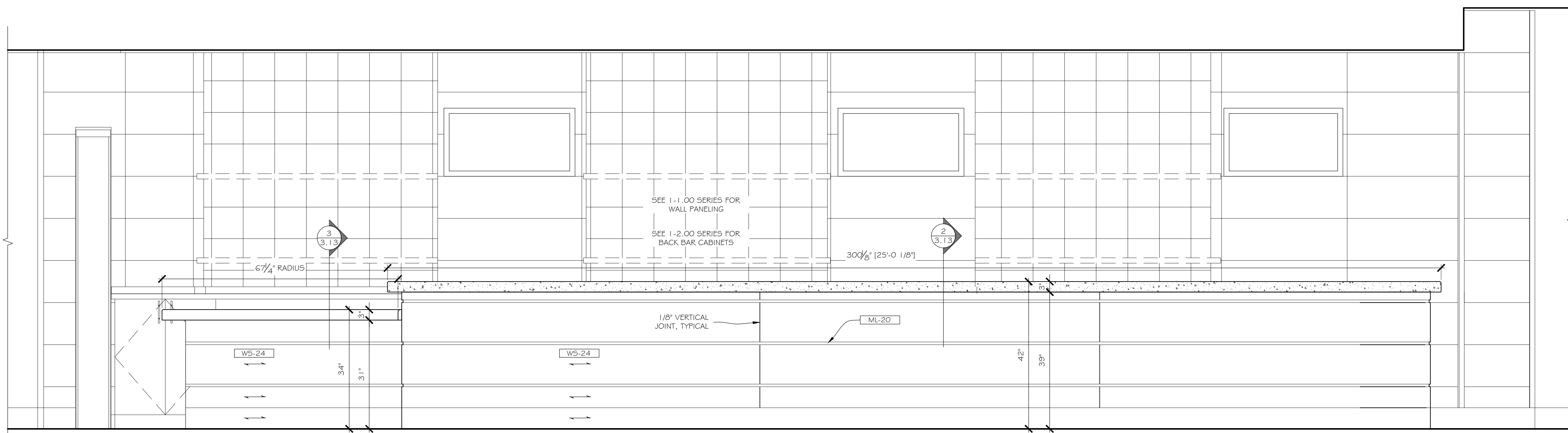
blacks outsourcing, inc.
 Architectural Woodwork Engineering
 Our business is drawing yours



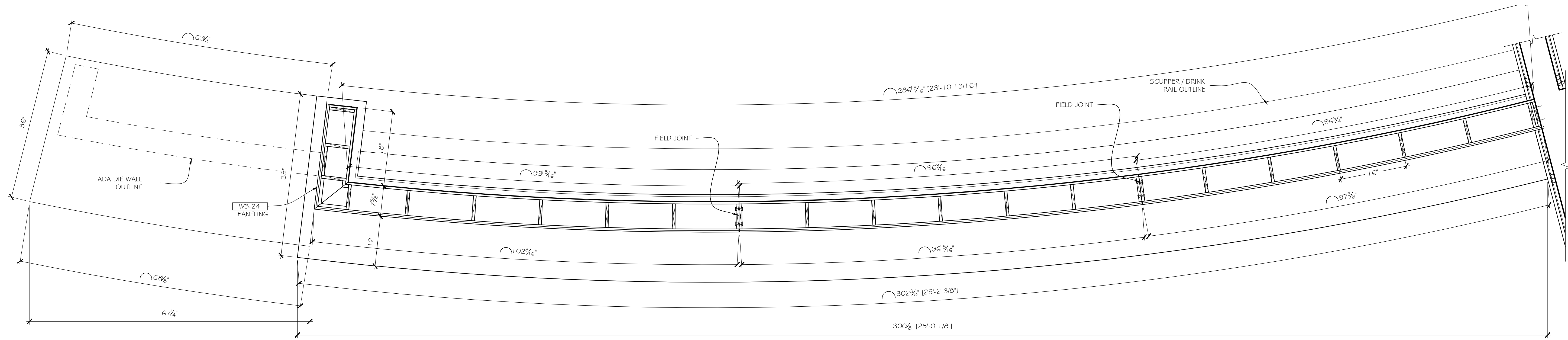
1-3.06



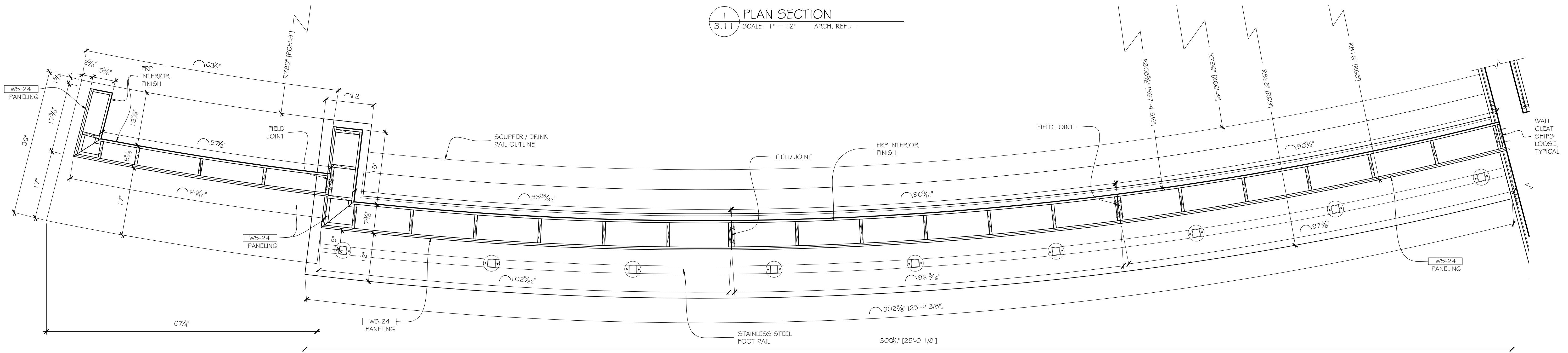
1 ENLARGED PLAN:
3.10 SCALE: 3/4" = 12" ARCH. REF.: 5/A-412



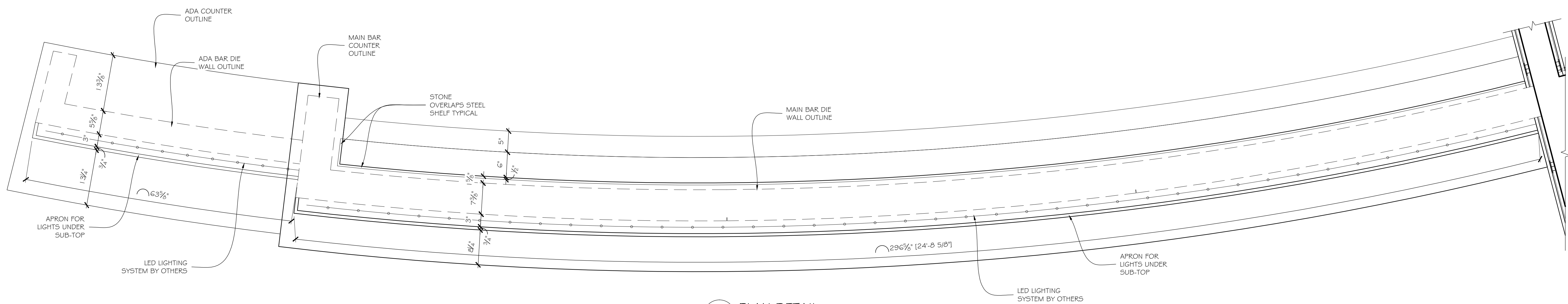
2 ELEVATION
3.10 SCALE: 3/4" = 12" ARCH. REF.: 11/A-517-2



1 PLAN SECTION
3.11 SCALE: 1" = 12" ARCH. REF.: -



2 PLAN SECTION
3.11 SCALE: 1" = 12" ARCH. REF.: -

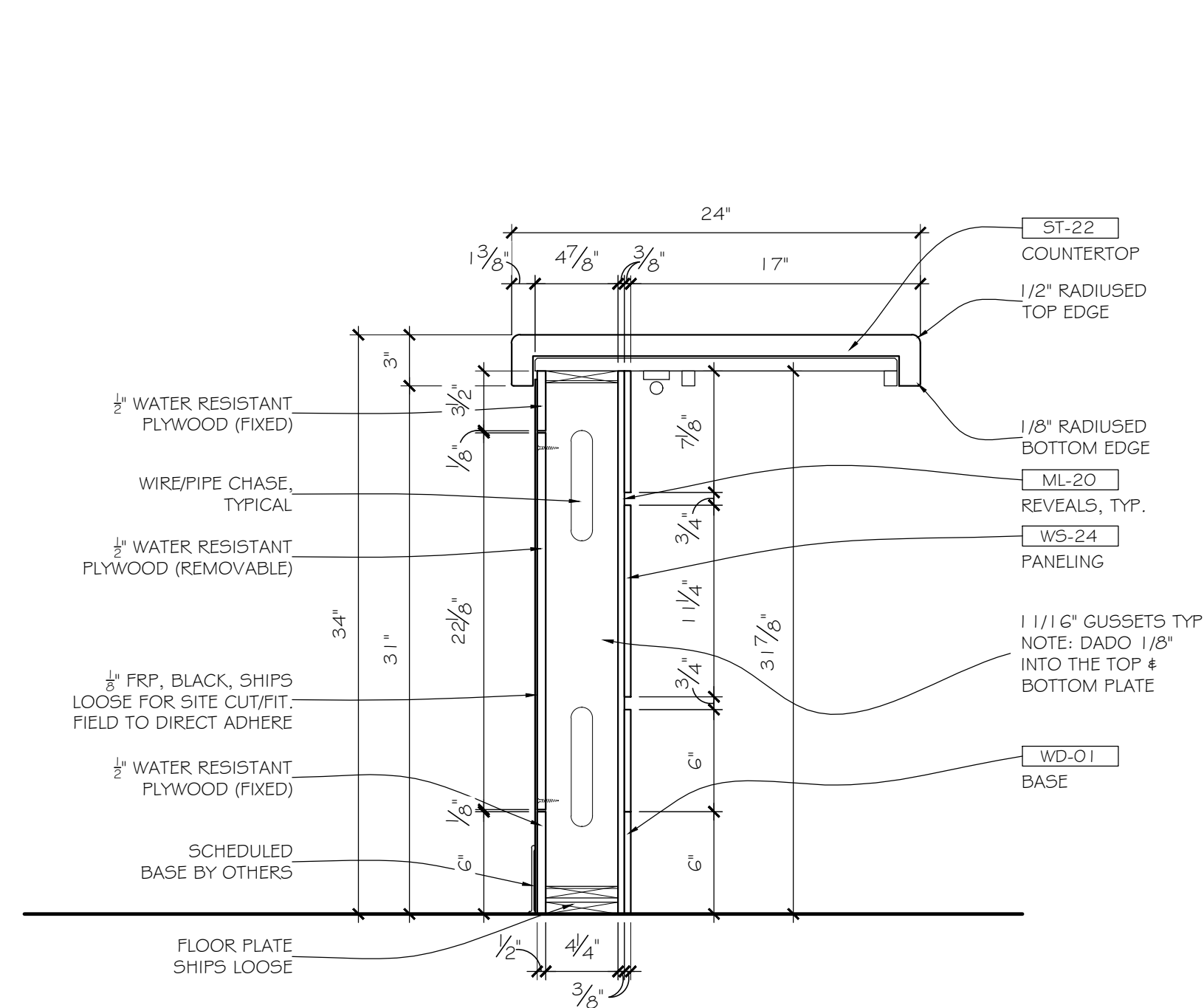


3 PLAN DETAIL
3.11 SCALE: 1" = 12" ARCH. REF.: -

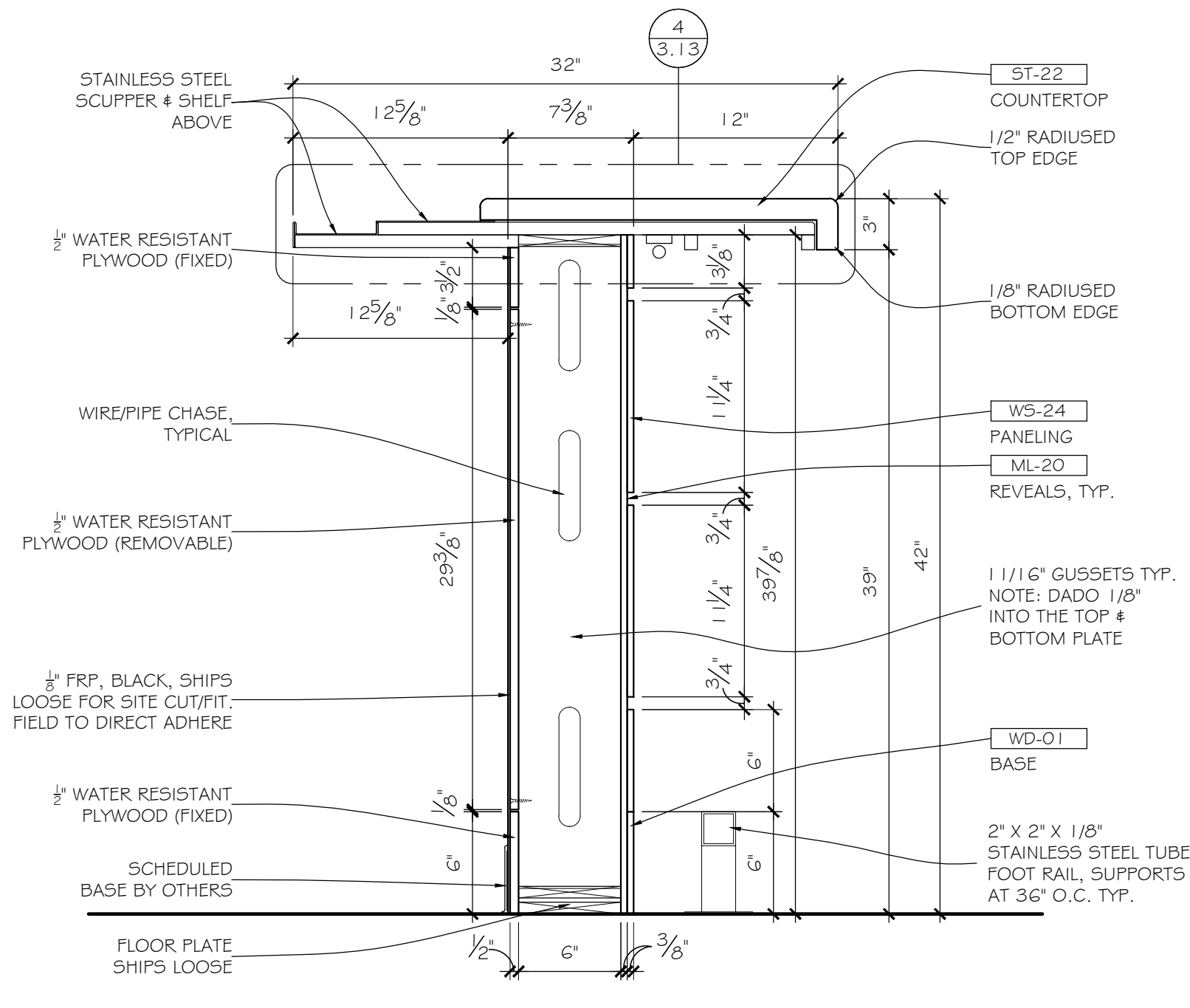
HOSPITALITY

blacks outsourcing, inc.
Architectural Woodwork Engineering
Our business is drawing yours

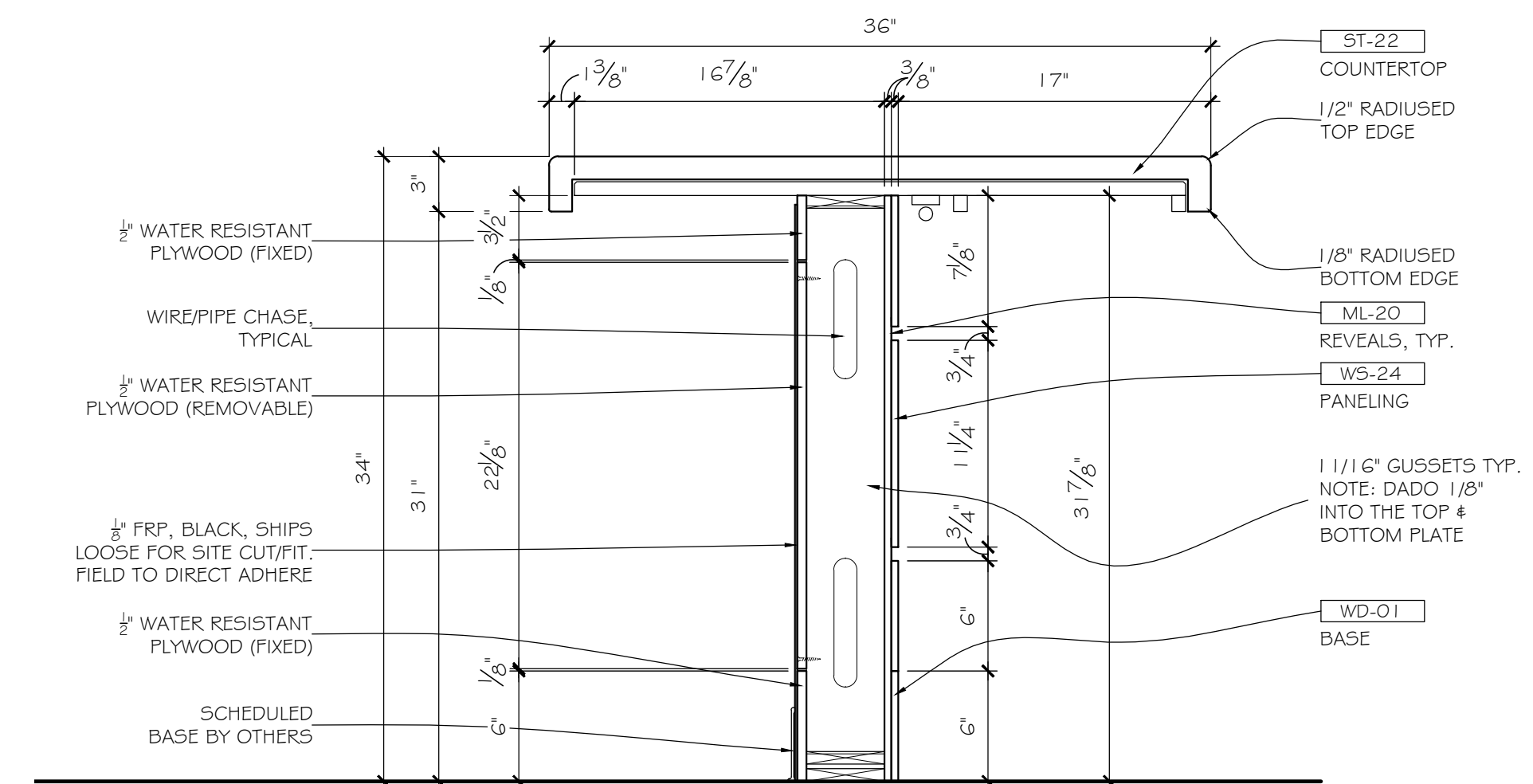
1-3.11



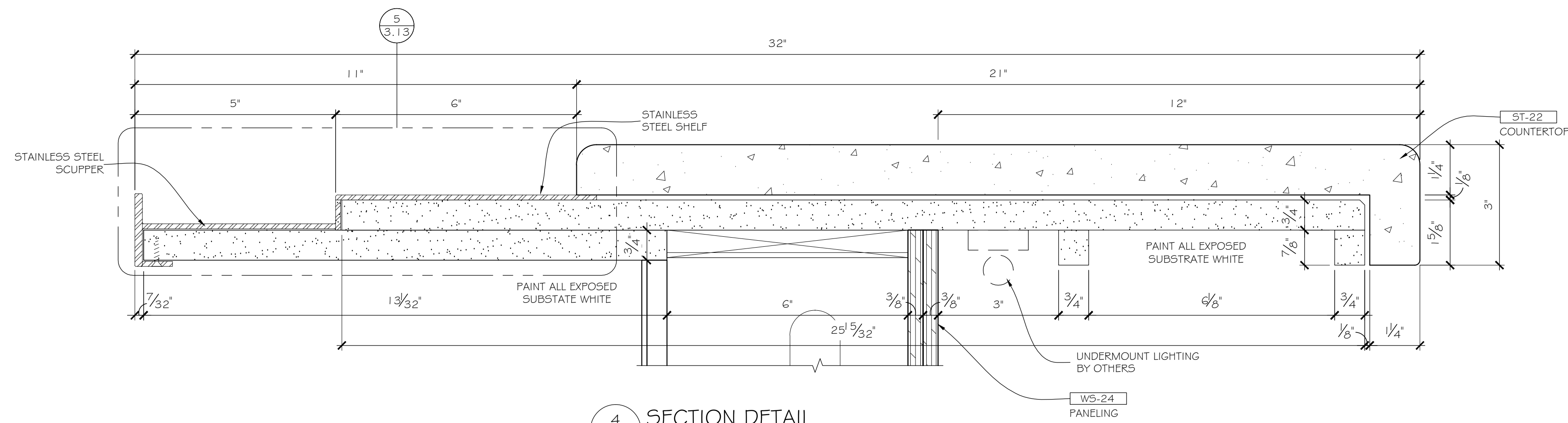
1 SECTION ELEVATION
3.13 SCALE: 1/2" = 12" ARCH. REF.: 10/A-574



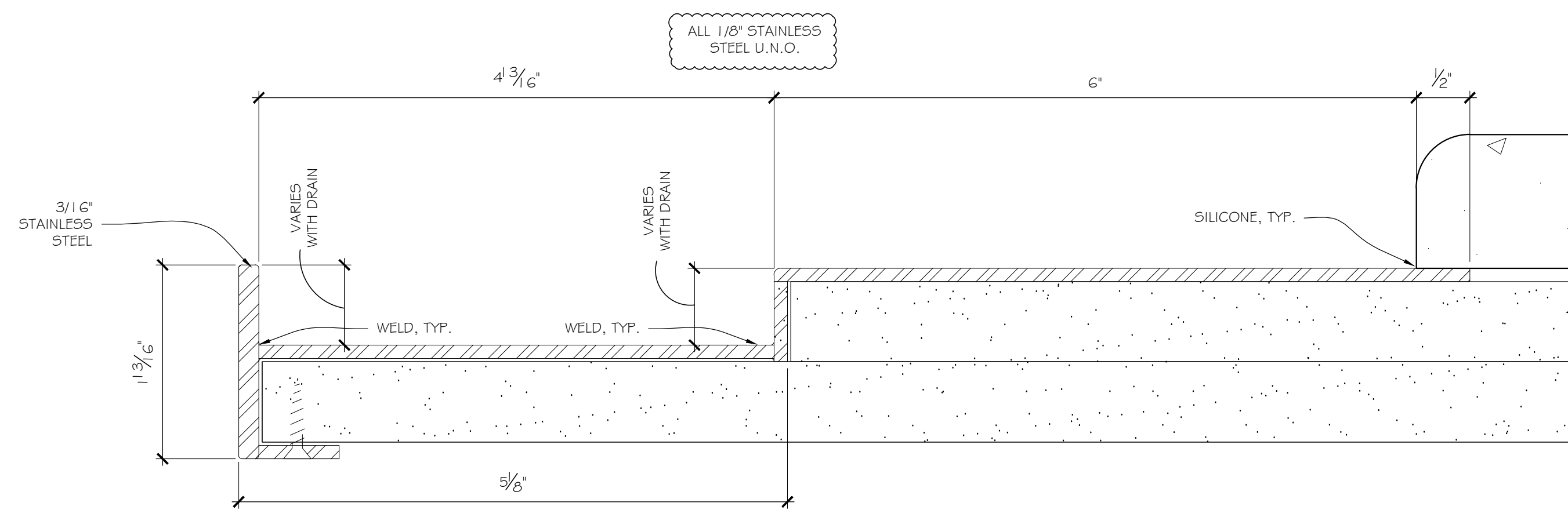
2 SECTION ELEVATION
3.13 SCALE: 1/2" = 12" ARCH. REF.: 9/A-574



3 SECTION ELEVATION
3.13 SCALE: 1/2" = 12" ARCH. REF.: 11/A-574



4 SECTION DETAIL
3.13 SCALE: 6" = 12" ARCH. REF.: 9/A-574



5 SECTION DETAIL
3.13 SCALE: FULL ARCH. REF.: -

HOSPITALITY

blacks outsourcing, inc.
Architectural Woodwork Engineering
Our business is drawing yours

1-3.13