

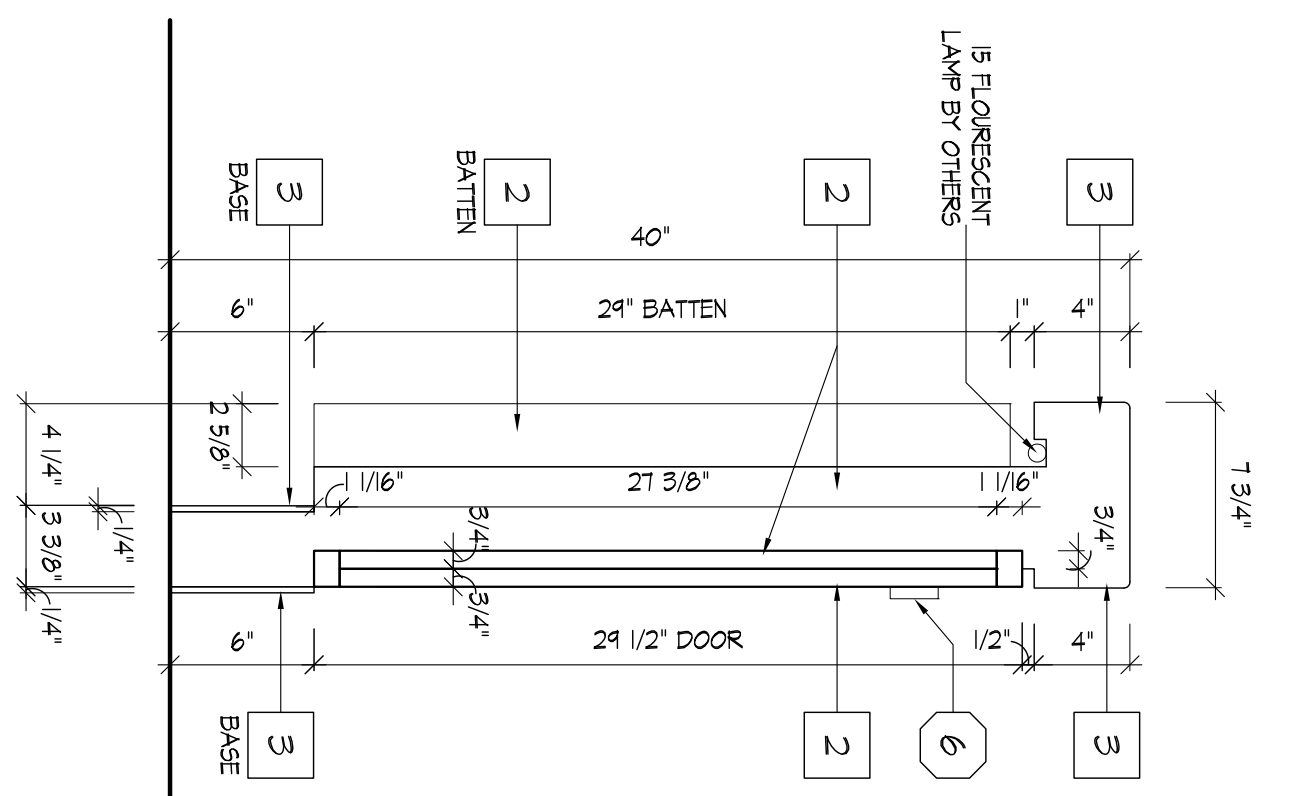
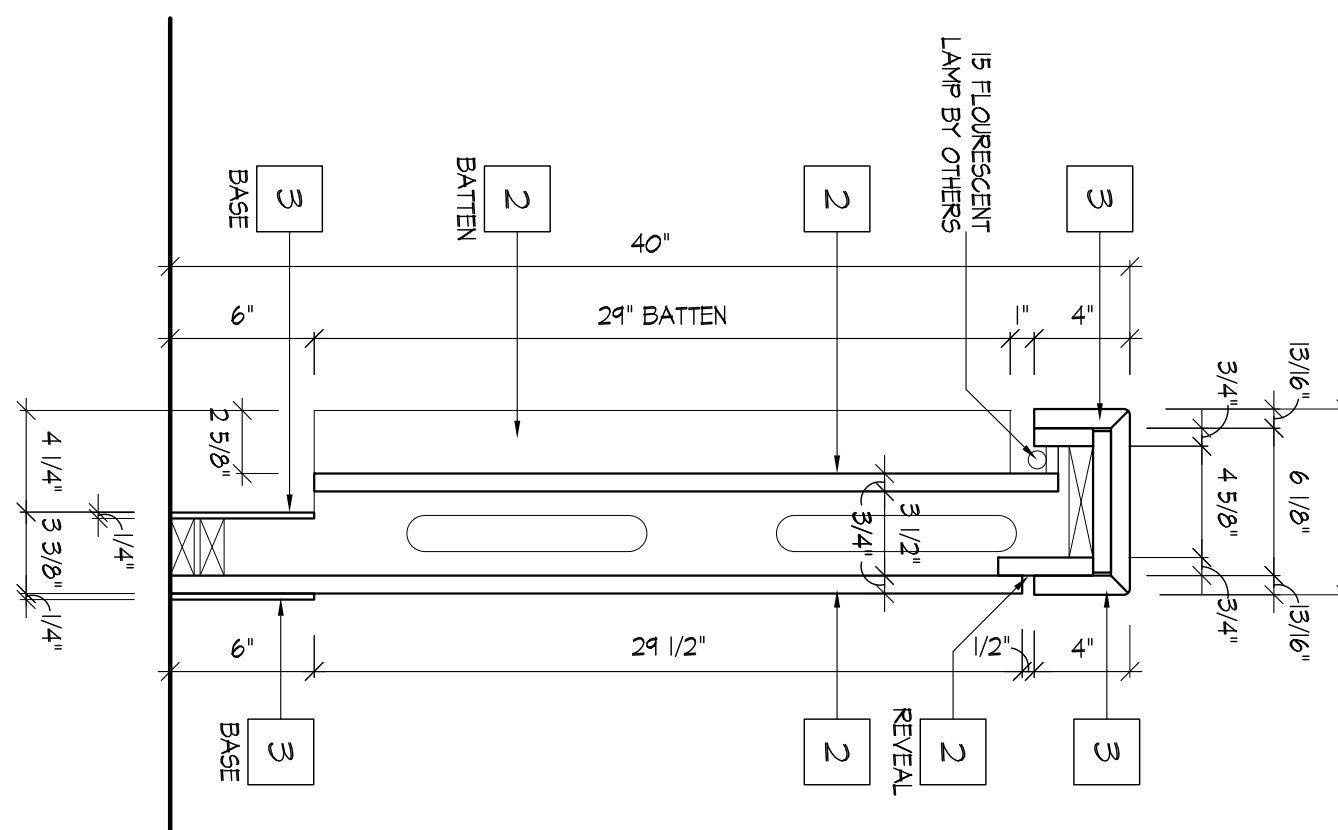
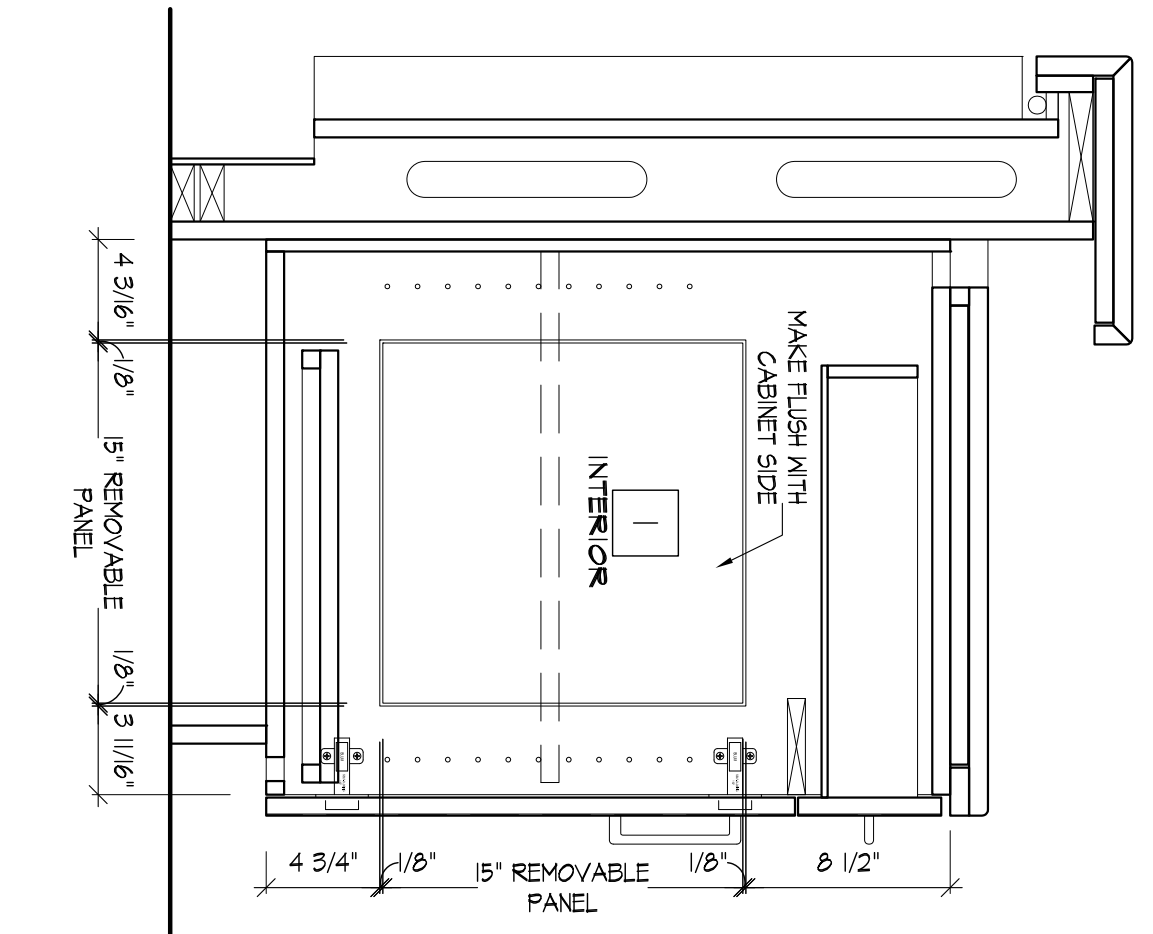
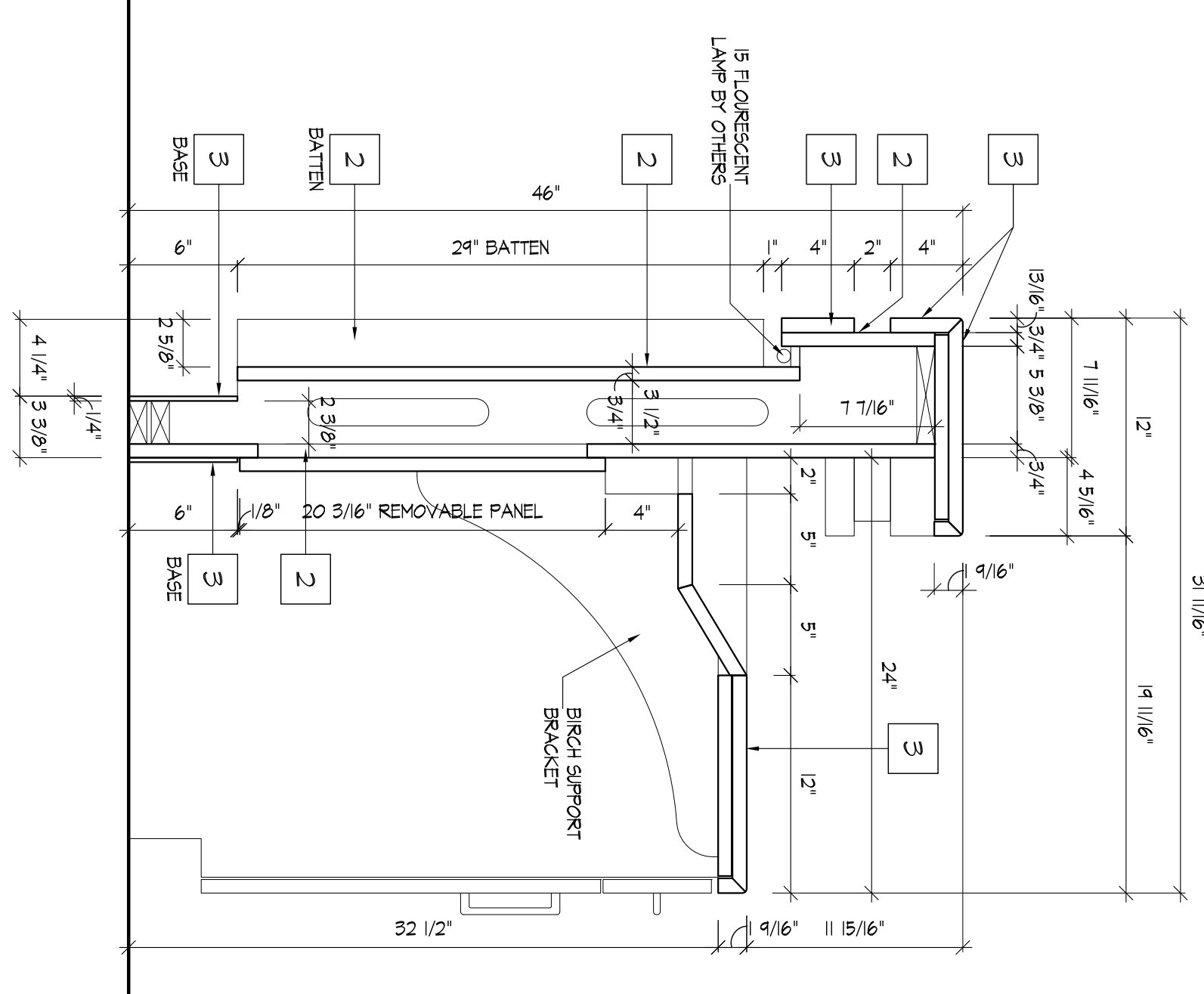
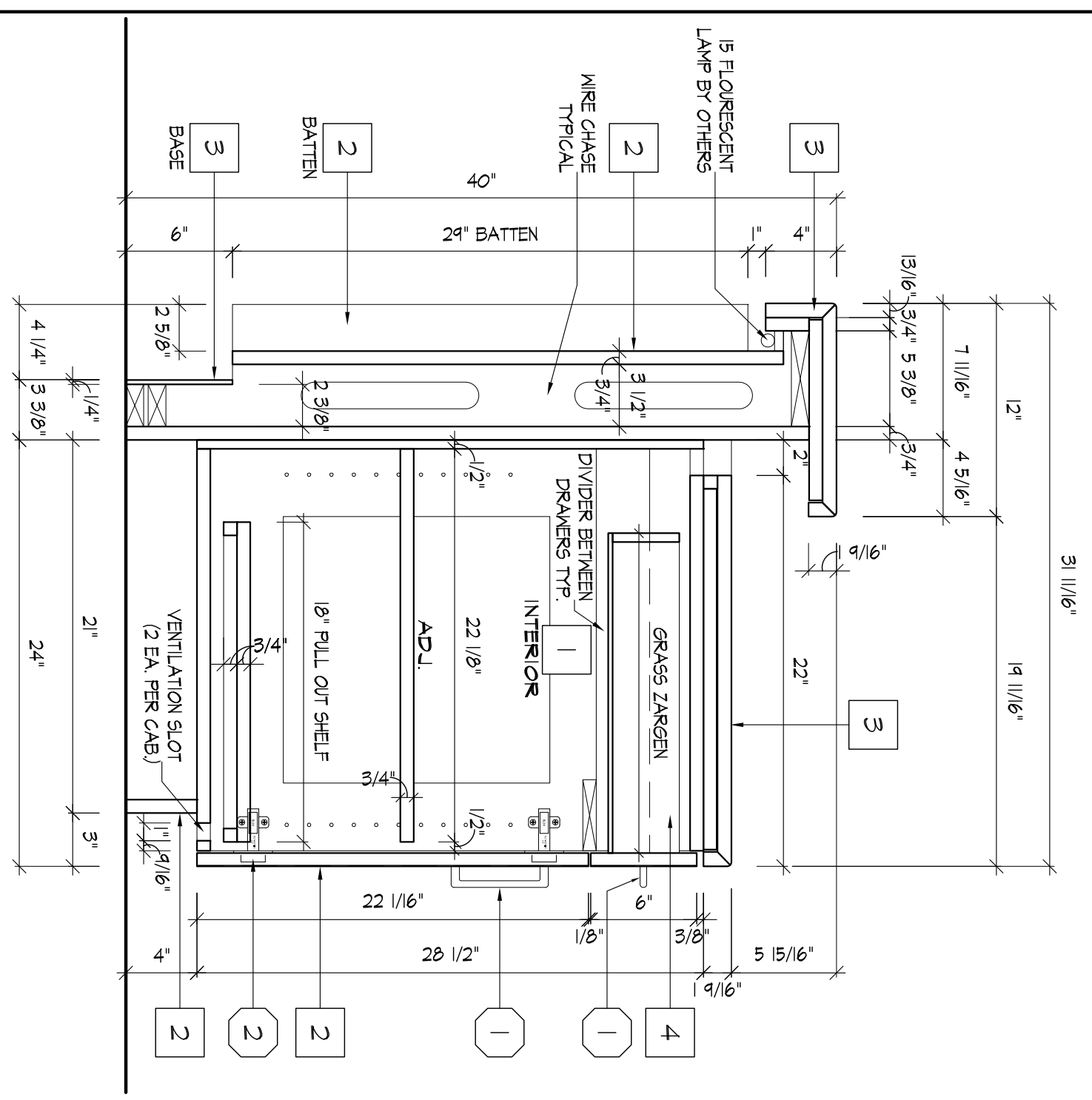
3 ELEVATION:  
SCALE: 3/4"=1'-0" ARCH. REF.: EIPAGE 2

4 ELEVATION:  
SCALE: 3/4"=1'-0" ARCH. REF.: EIPAGE 2

5 ELEVATION:  
SCALE: 3/4"=1'-0" ARCH. REF.: EIPAGE 2

PLAN: M&I BANK GUARD DESK  
SCALE: 3/4"=1'-0" ARCH. REF.: PAGE 1

2 ELEVATION:  
SCALE: 3/4"=1'-0" ARCH. REF.: EIPAGE 2



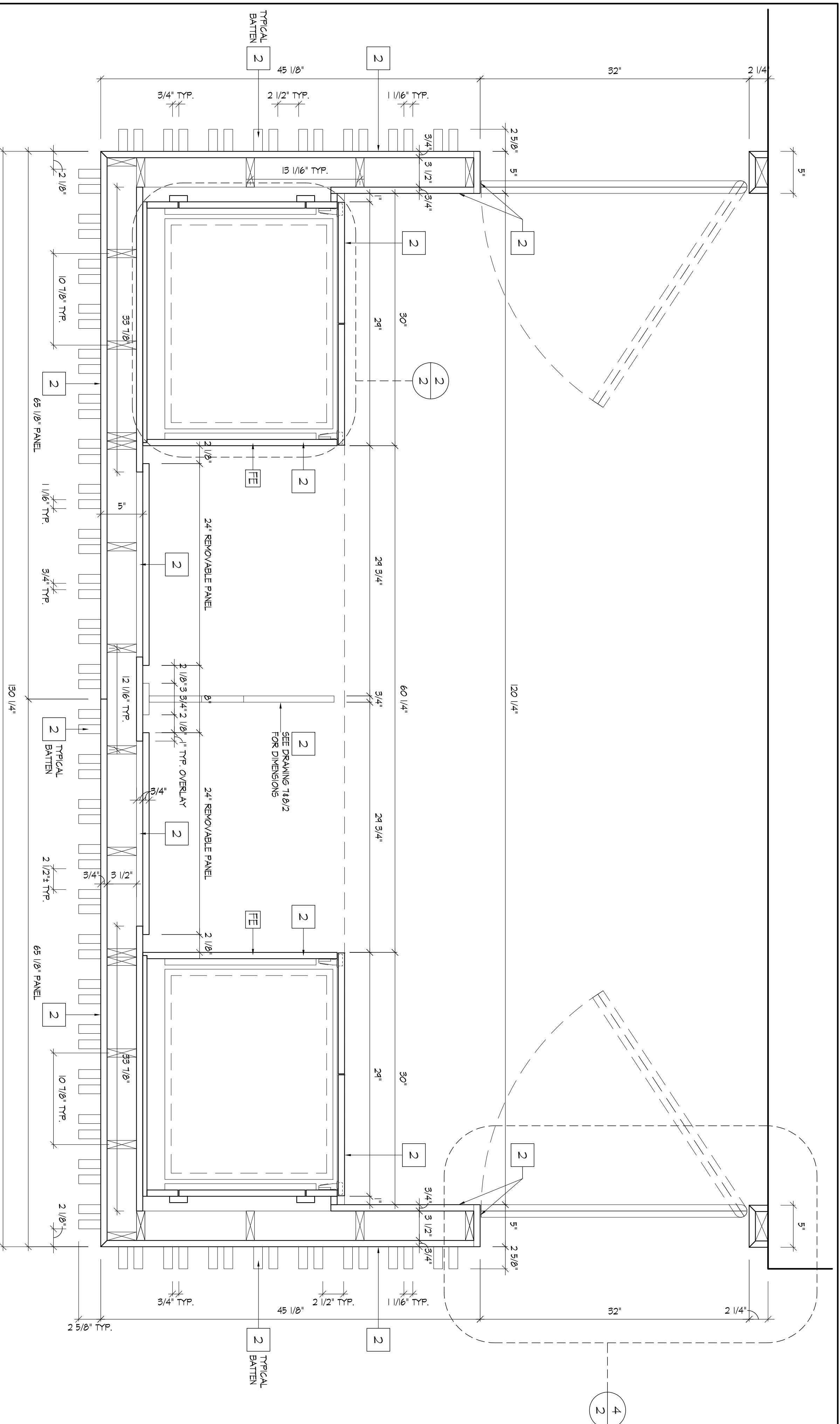
6 SECTION:  
SCALE: 1/2"=1'-0" ARCH. REF.: NONE

7 SECTION:  
SCALE: 1/2"=1'-0" ARCH. REF.: S/PAGE 3

8 SECTION: ACCESS PANEL  
SCALE: 1/2"=1'-0" ARCH. REF.: NONE

9 SECTION:  
SCALE: 1/2"=1'-0" ARCH. REF.: S/PAGE 3

10 SECTION: GATE  
SCALE: 1/2"=1'-0" ARCH. REF.: NONE

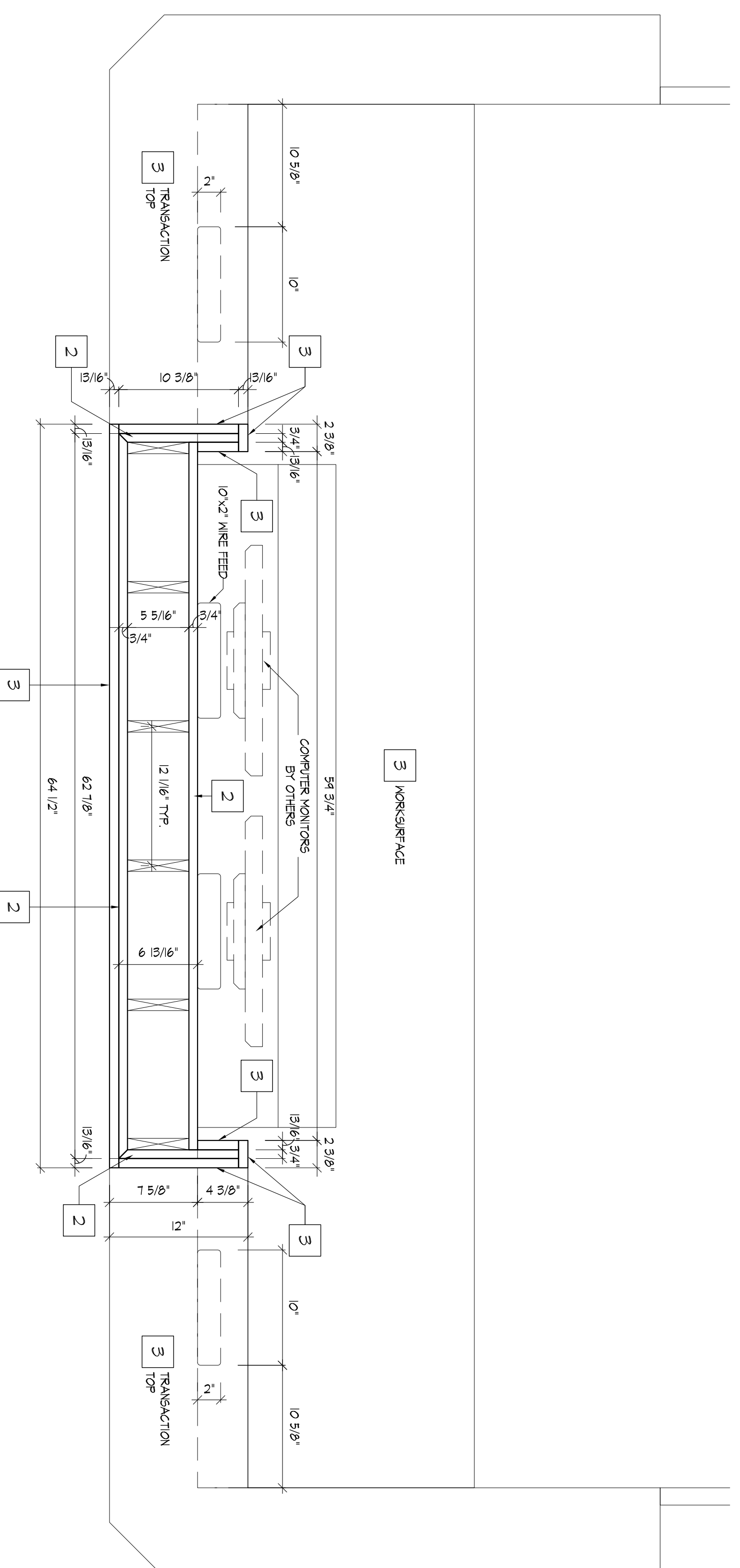
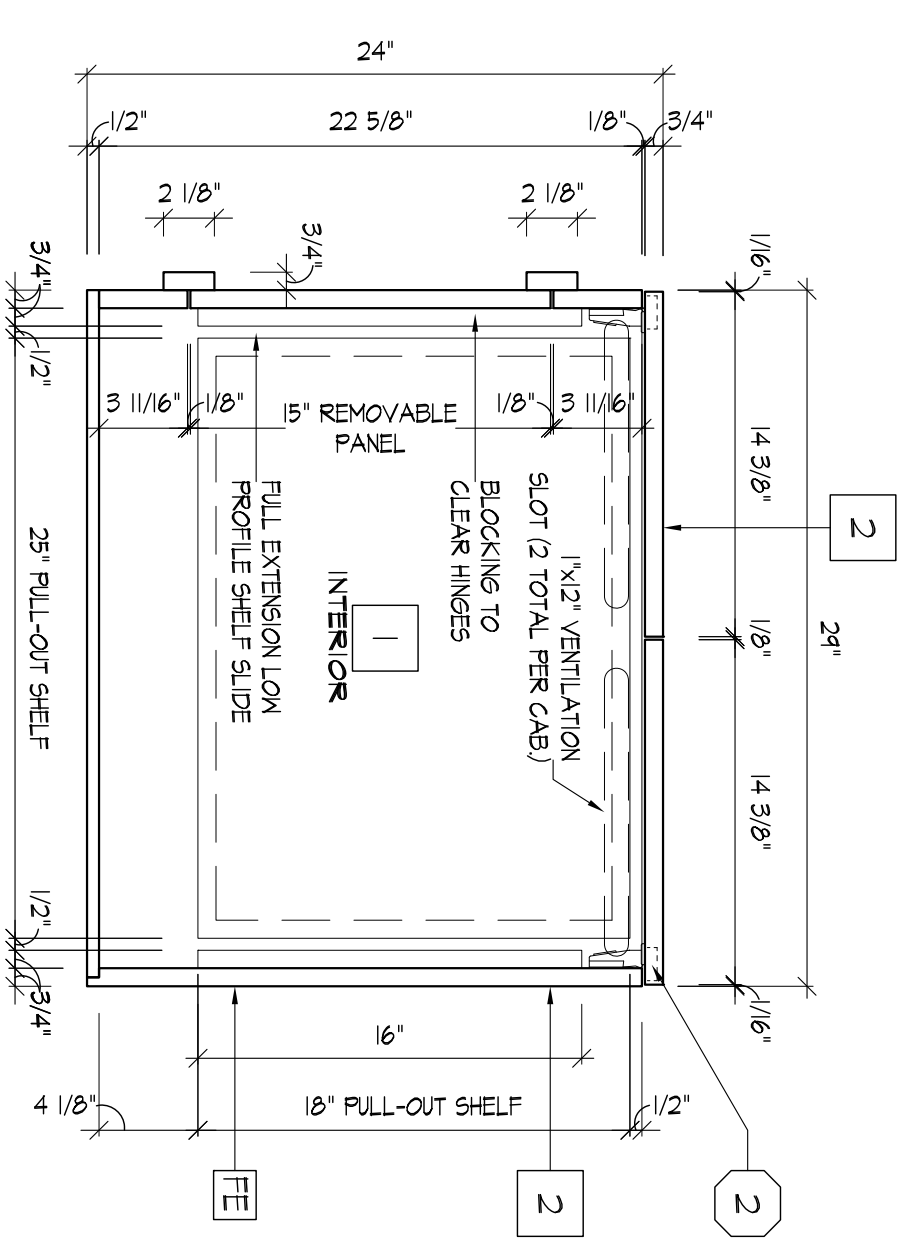
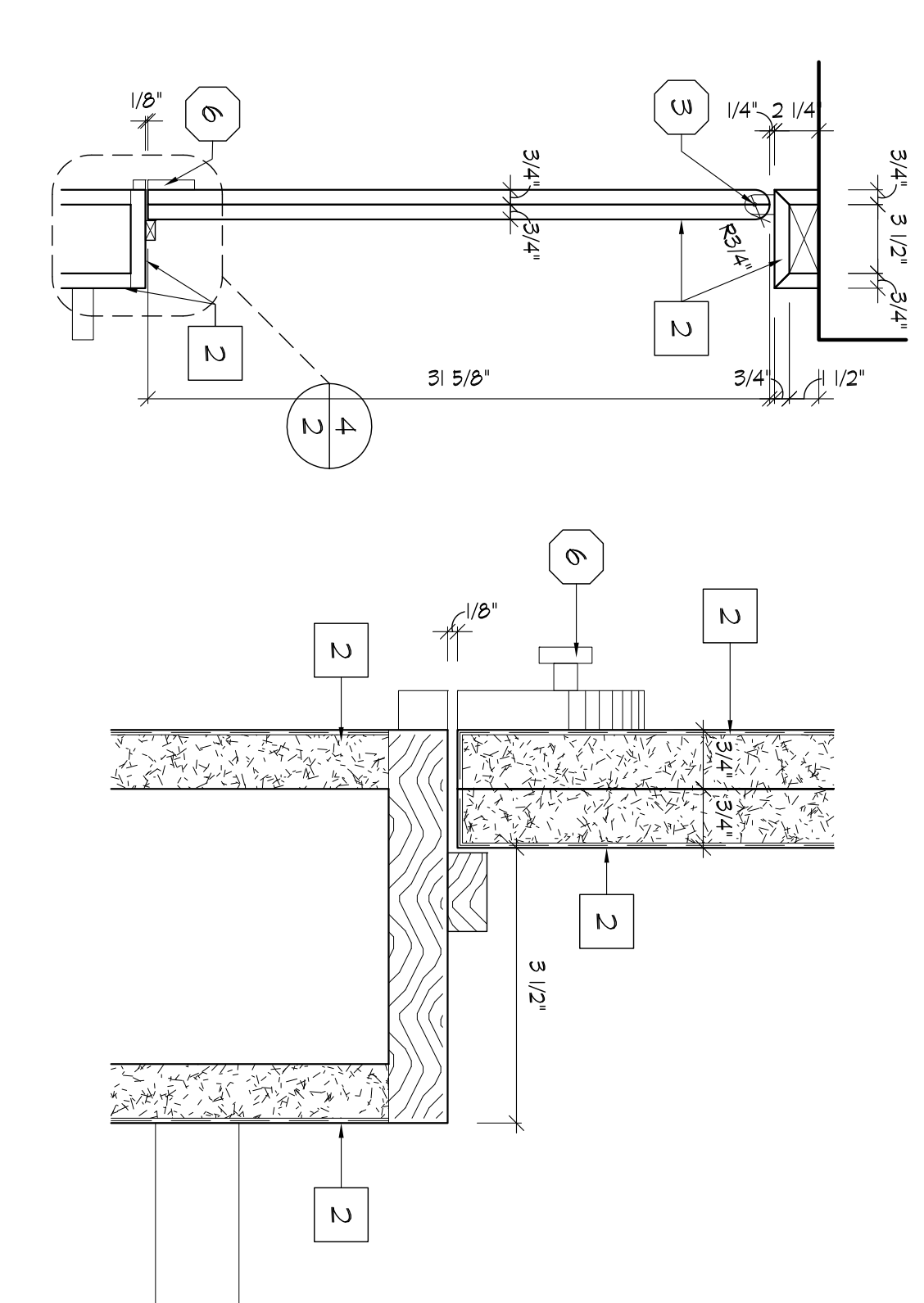


1 PLAN SECTION:  
SCALE: 1/2"=1'-0" ARCH. REF.: NONE

3 PLAN SECTION:  
SCALE: 1/2"=1'-0" ARCH. REF.: NONE

4 PLAN SECTION DETAIL:  
SCALE: 6"=1'-0" ARCH. REF.: NONE

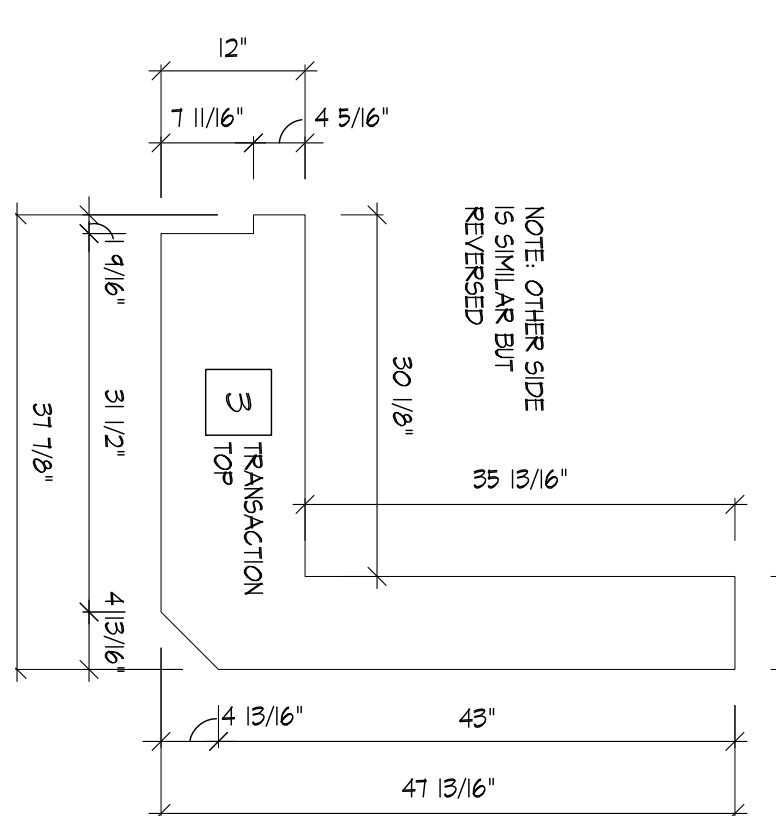
2 PLAN SECTION:  
SCALE: 1/2"=1'-0" ARCH. REF.: NONE



5 PLAN SECTION:  
SCALE: 1/2"=1'-0" ARCH. REF.: NONE

6 PLAN: TRANSACTION TOP TYP.  
SCALE: 1/2"=1'-0" ARCH. REF.: NONE

8 ELEVATION: SUPPORT BRACKET  
SCALE: 1/2"=1'-0" ARCH. REF.: NONE



7 SECTION: SUPPORT BRACKET  
SCALE: 1/2"=1'-0" ARCH. REF.: NONE

