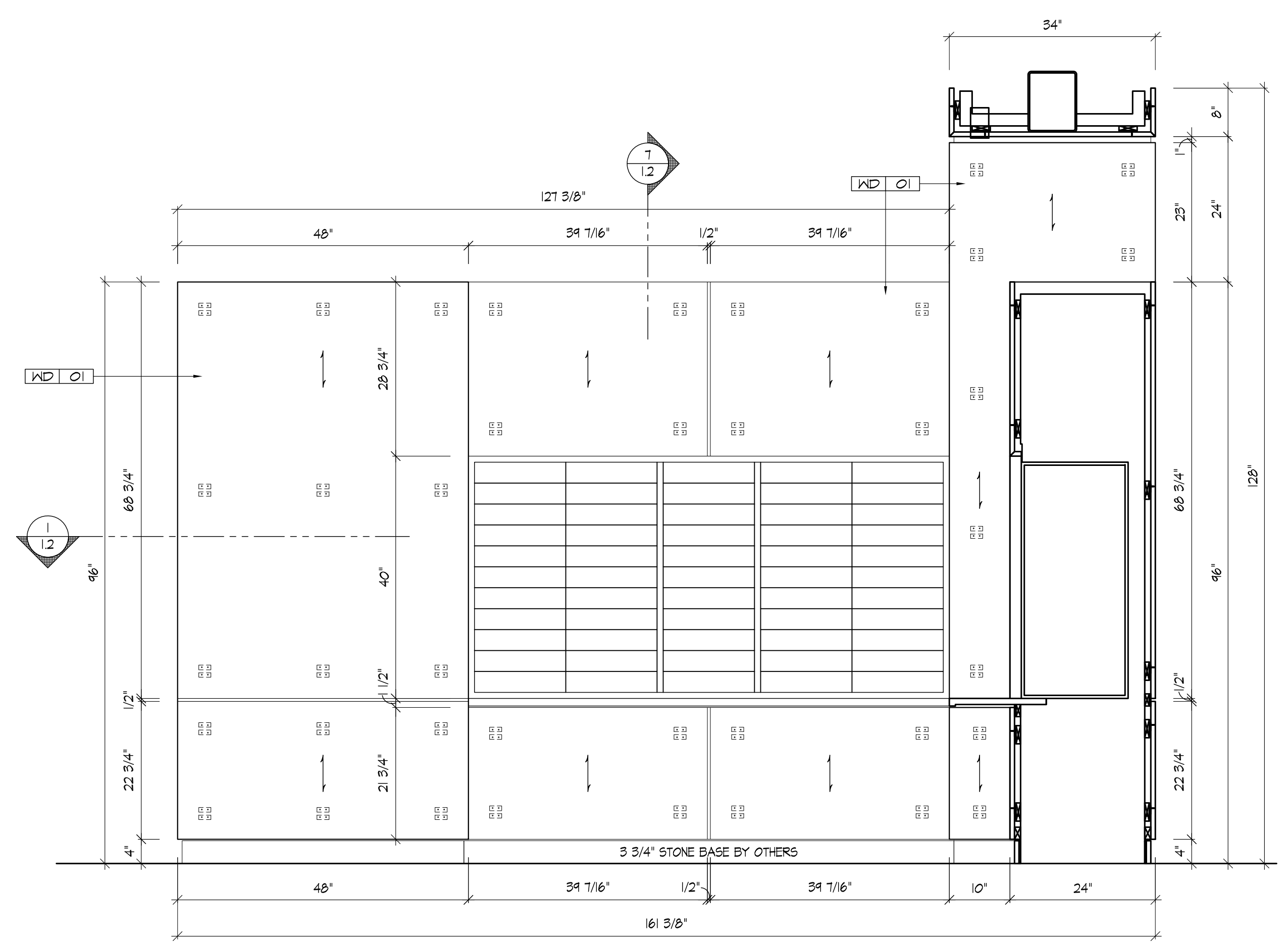
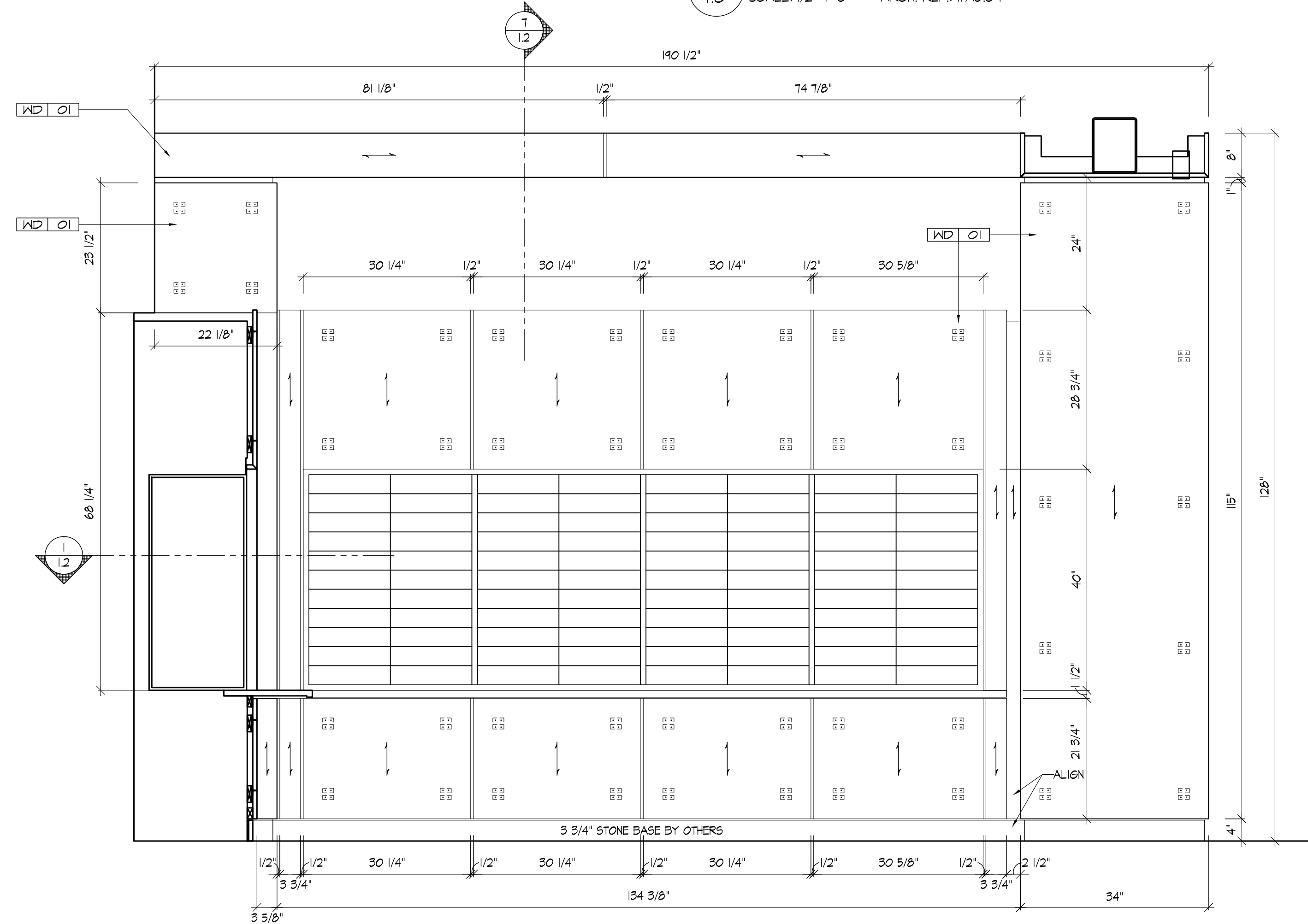


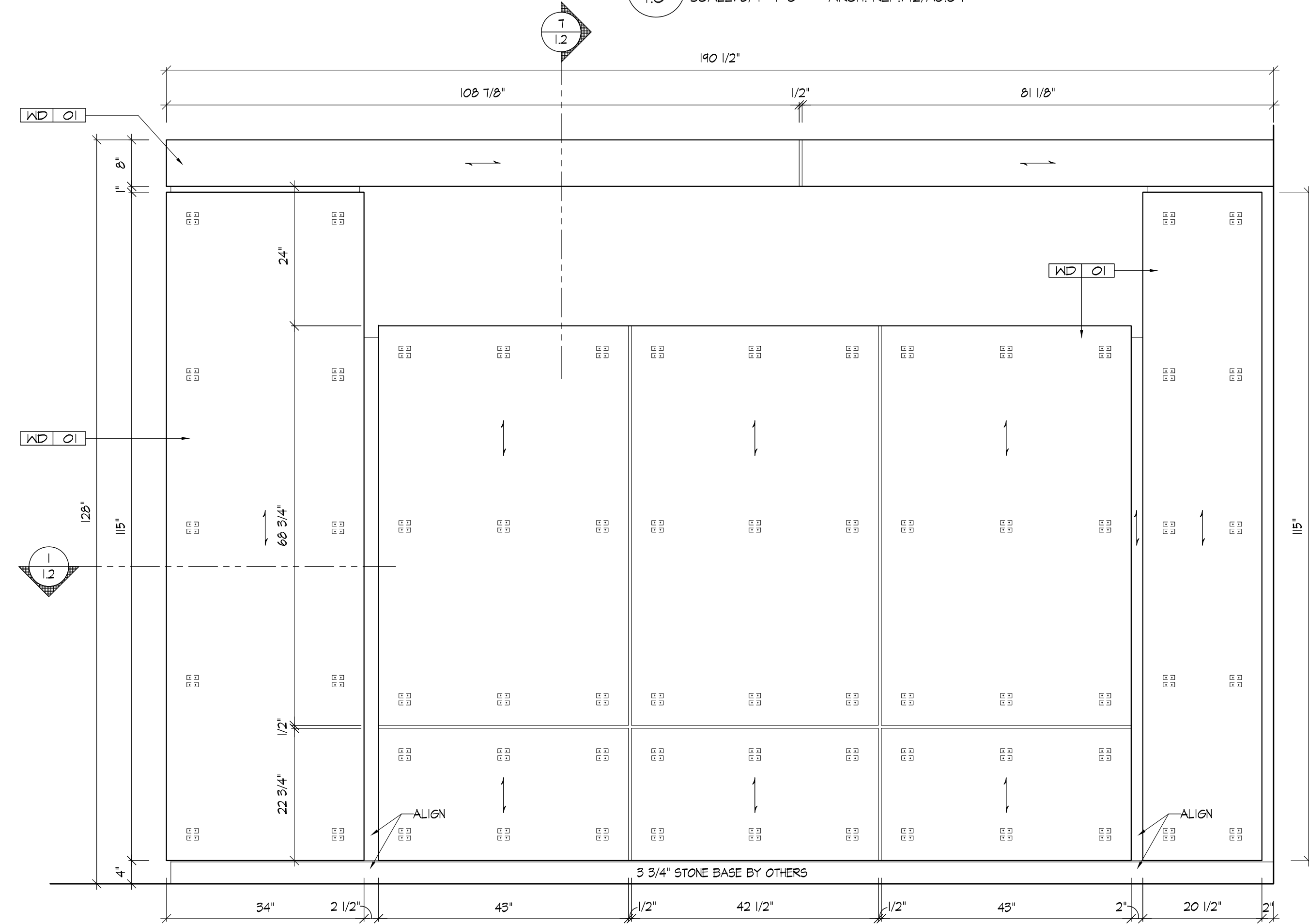
1 PLAN: MAIL ROOM 102  
SCALE: 1/2"=1'-0" ARCH. REF.: 1/A6.04



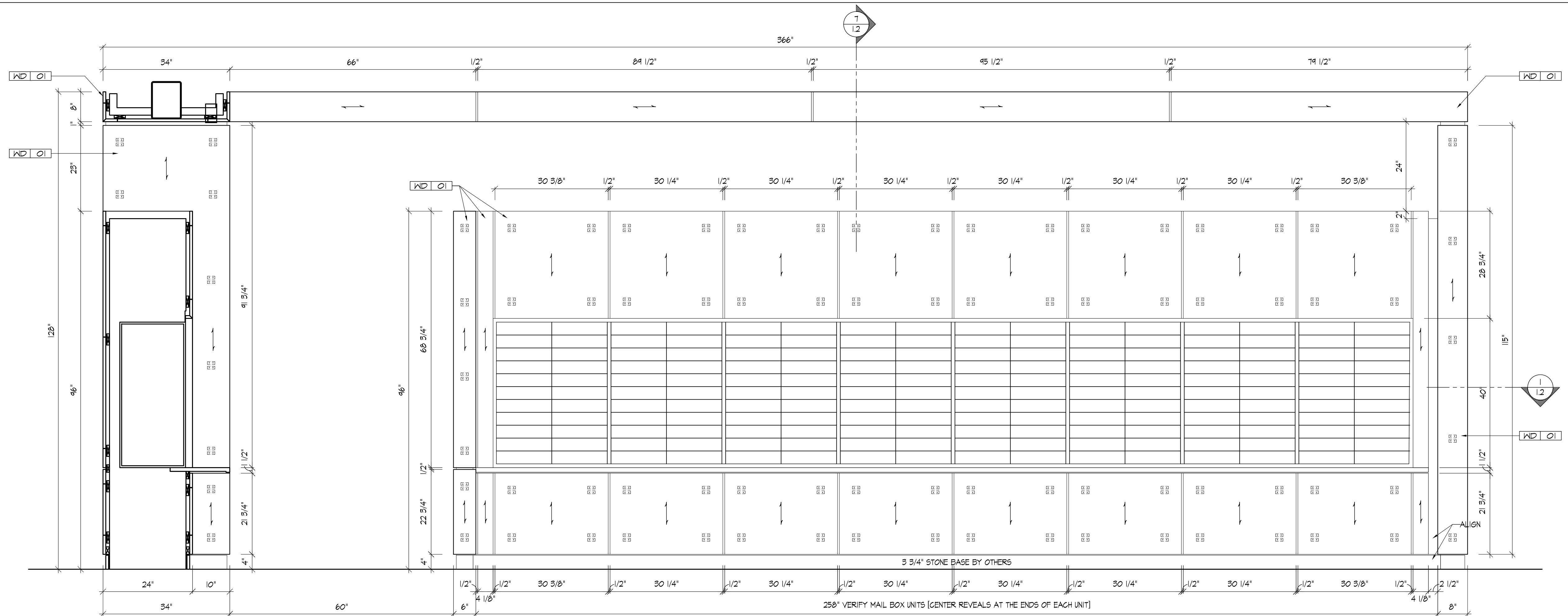
2 ELEVATION:  
SCALE: 3/4"=1'-0" ARCH. REF.: 12/A6.04



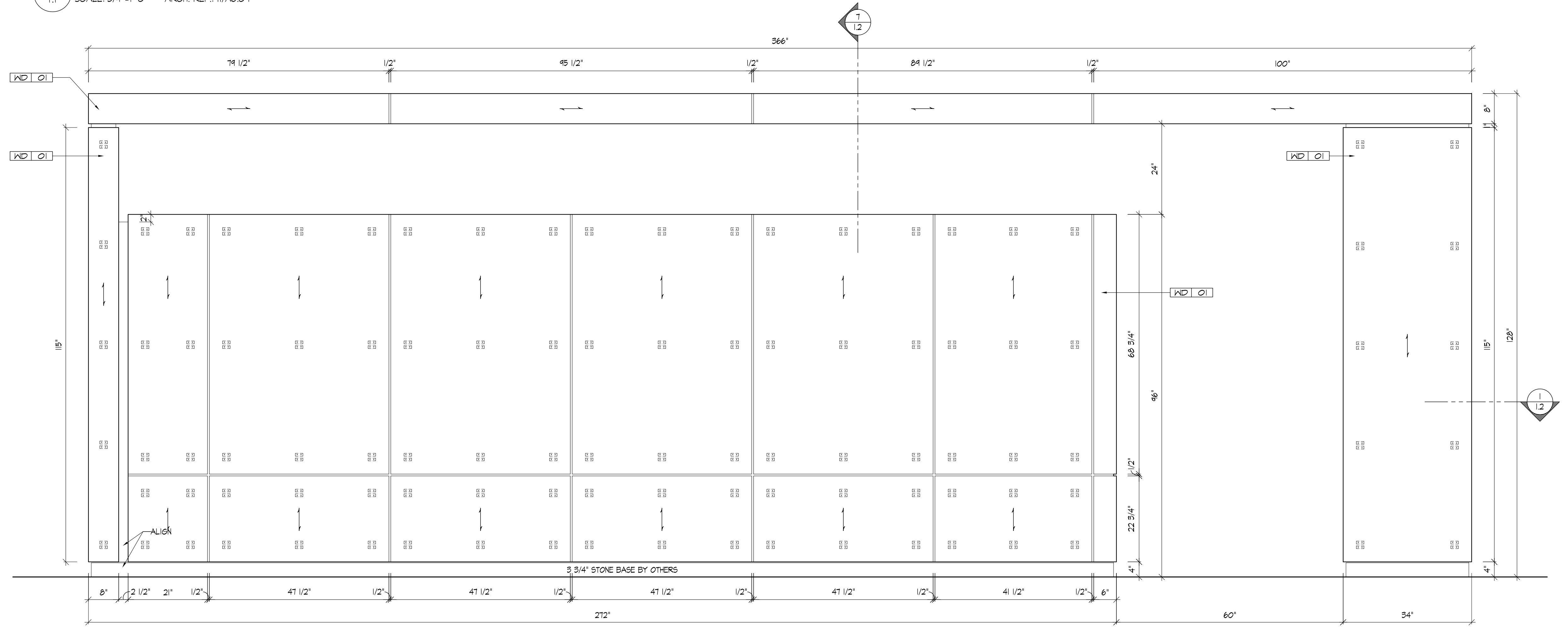
3 ELEVATION:  
SCALE: 3/4"=1'-0" ARCH. REF.: 2/A6.04



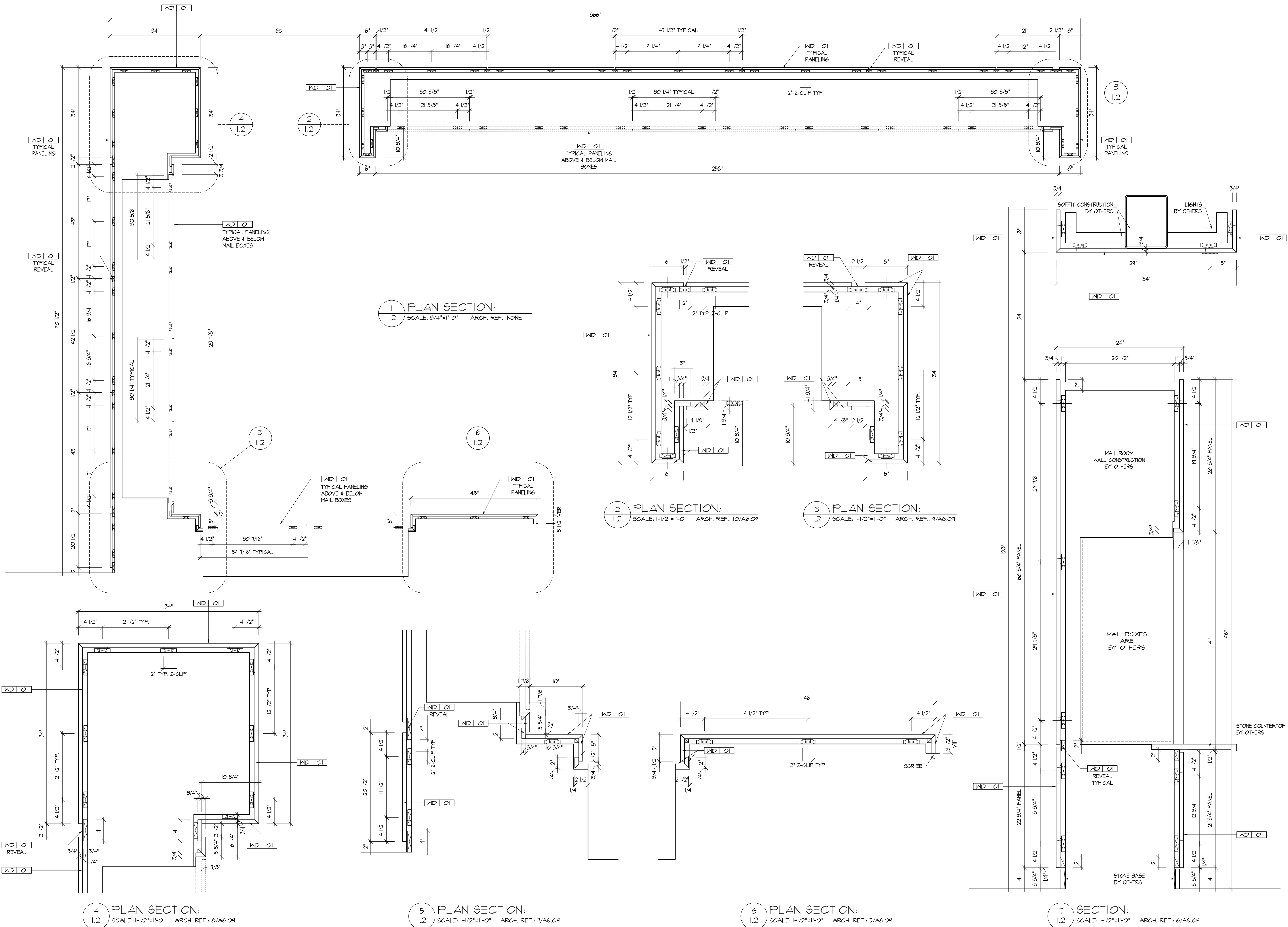
4 ELEVATION:  
SCALE: 3/4"=1'-0" ARCH. REF.: 3/A6.04



1 ELEVATION:  
 1.1 SCALE: 3/4"=1'-0" ARCH. REF.: 11/A6.04



2 ELEVATION:  
 1.1 SCALE: 3/4"=1'-0" ARCH. REF.: 4/A6.04



1 PLAN SECTION:  
SCALE: 3/4"=1'-0" ARCH. REF.: NONE

2 PLAN SECTION:  
SCALE: 1-1/2"=1'-0" ARCH. REF.: 10/A6.09

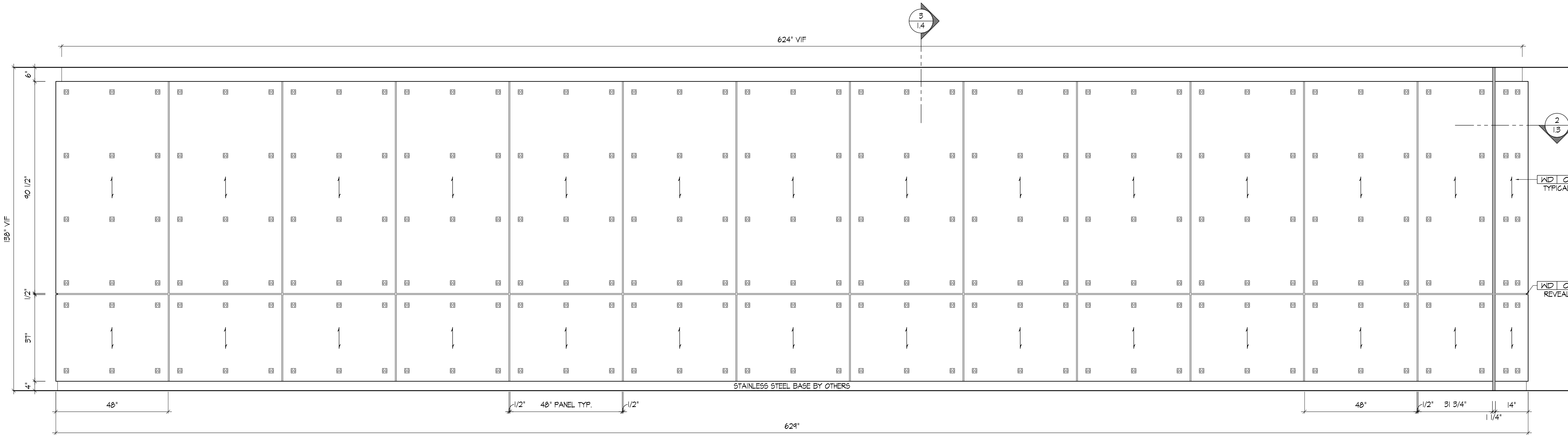
3 PLAN SECTION:  
SCALE: 1-1/2"=1'-0" ARCH. REF.: 9/A6.09

4 PLAN SECTION:  
SCALE: 1-1/2"=1'-0" ARCH. REF.: 8/A6.09

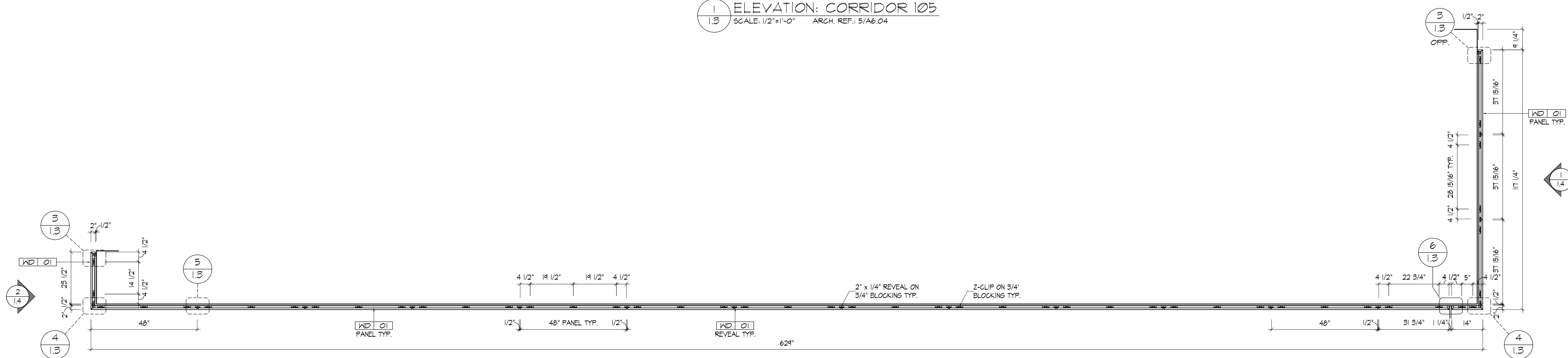
5 PLAN SECTION:  
SCALE: 1-1/2"=1'-0" ARCH. REF.: 7/A6.09

6 PLAN SECTION:  
SCALE: 1-1/2"=1'-0" ARCH. REF.: 5/A6.09

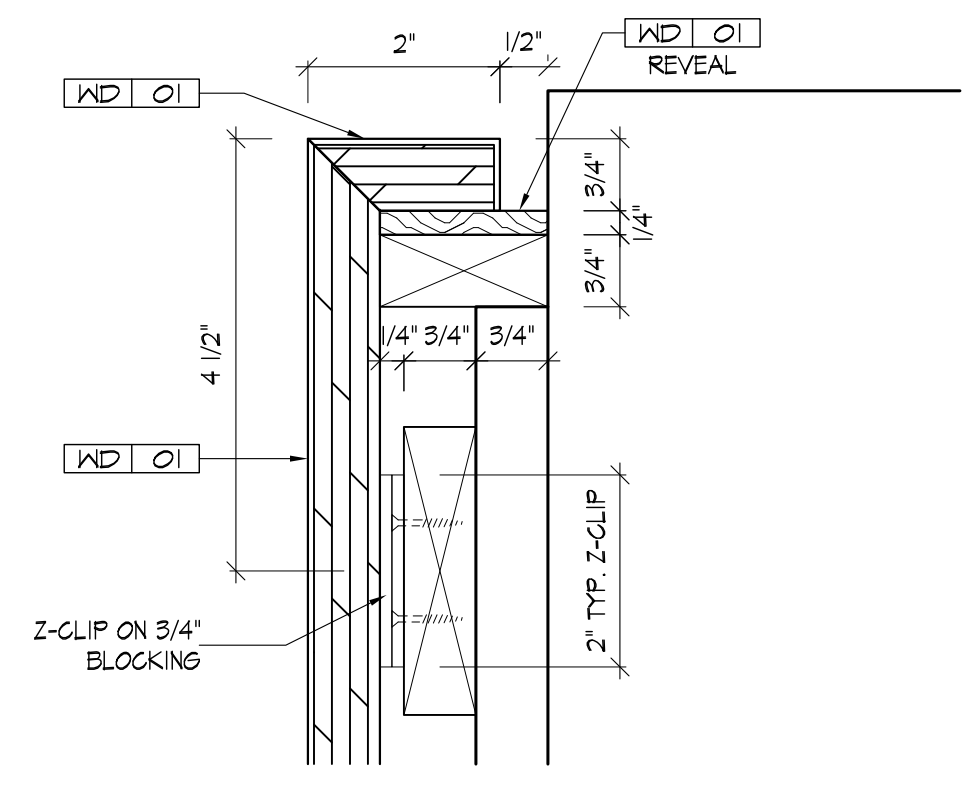
7 SECTION:  
SCALE: 1-1/2"=1'-0" ARCH. REF.: 6/A6.09



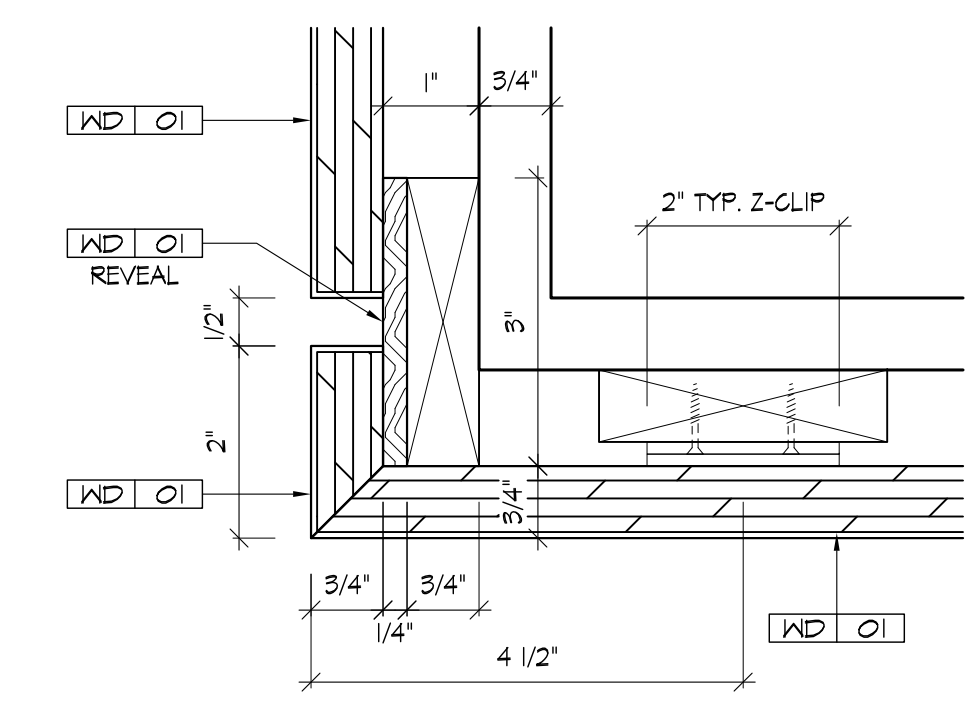
1 ELEVATION: CORRIDOR 105  
 1.3 SCALE: 1/2"=1'-0" ARCH. REF.: 5/A6.04



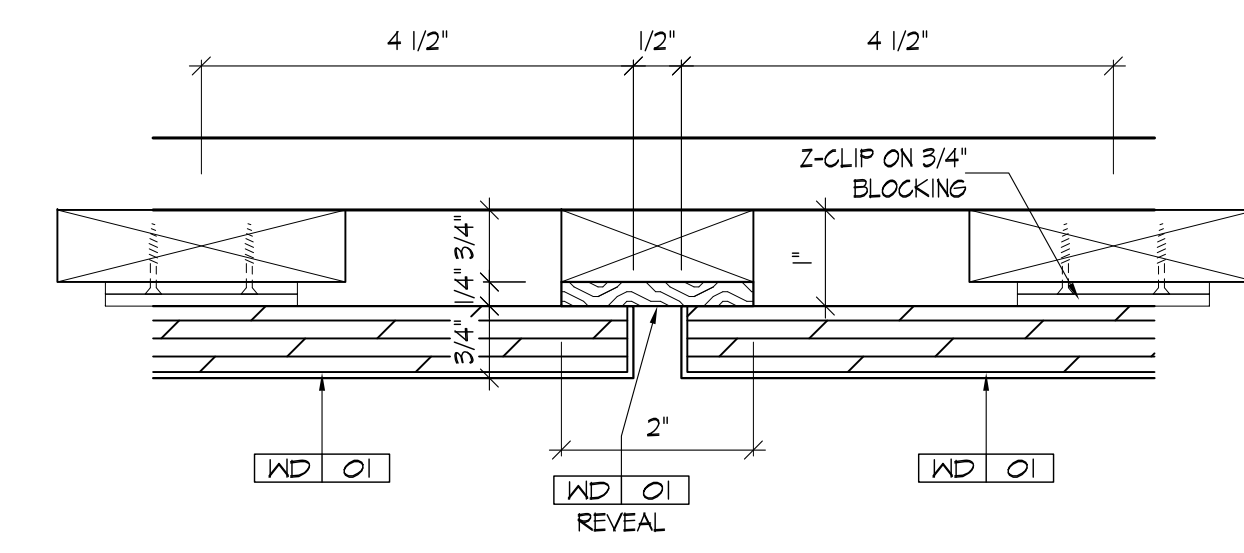
2 PLAN SECTION:  
 1.3 SCALE: 1/2"=1'-0" ARCH. REF.: NONE



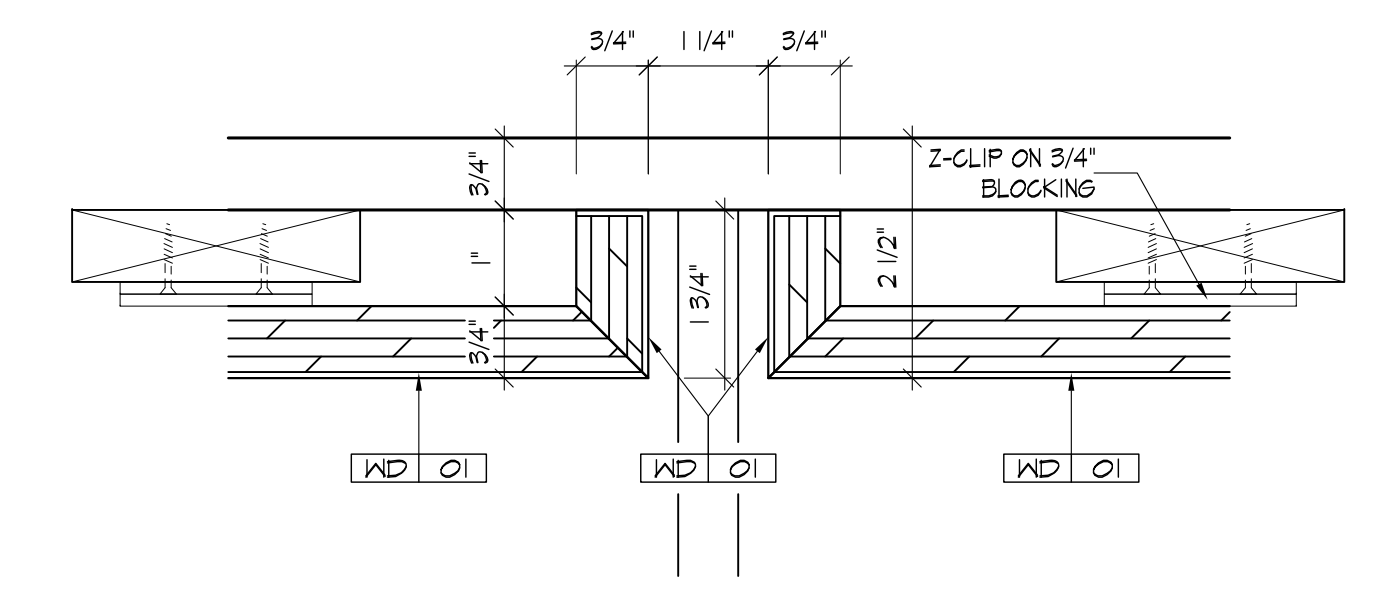
3 DETAIL: TYP. @ ENDS  
 1.3 SCALE: HALF ARCH. REF.: 4/A6.06



4 DETAIL: TYP. @ CORNERS  
 1.3 SCALE: HALF ARCH. REF.: 4/A6.06



5 DETAIL: TYP. REVEAL  
 1.3 SCALE: HALF ARCH. REF.: 5/A6.06



6 DETAIL: @ GLASS WALL  
 1.3 SCALE: HALF ARCH. REF.: 7/A6.07