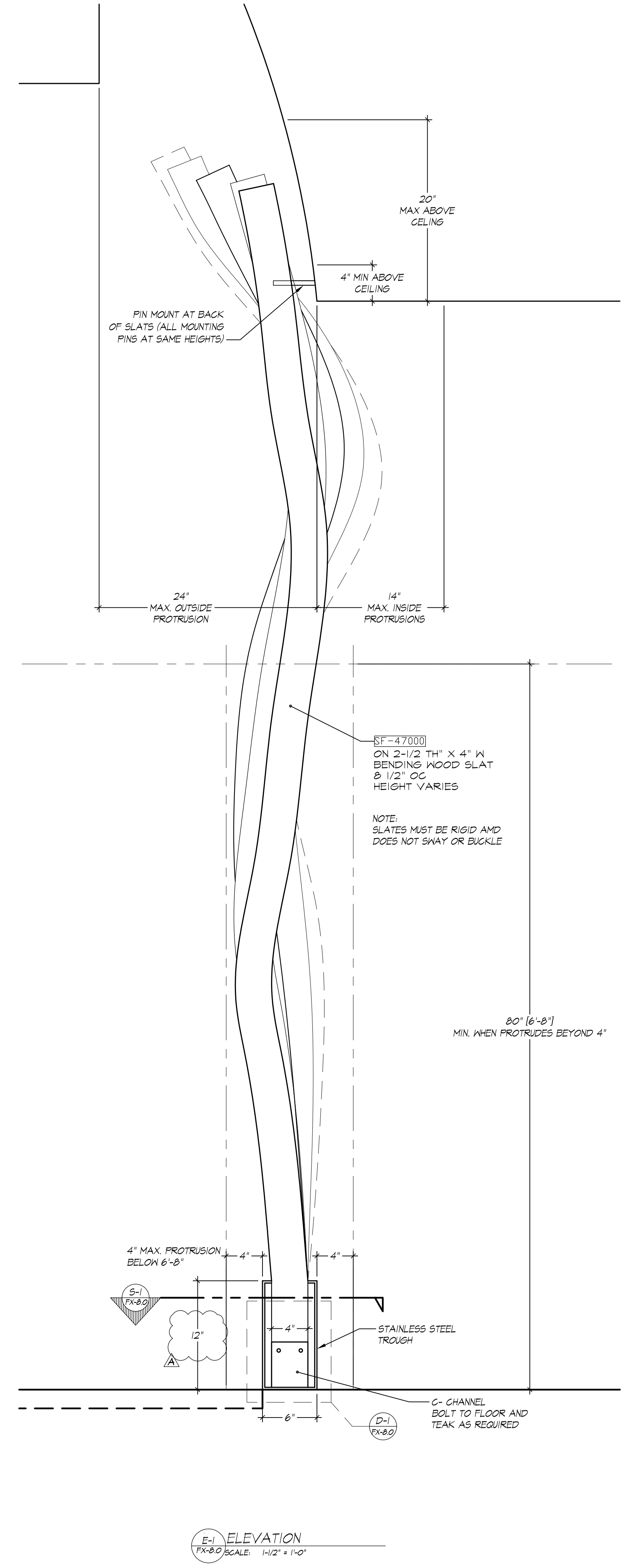
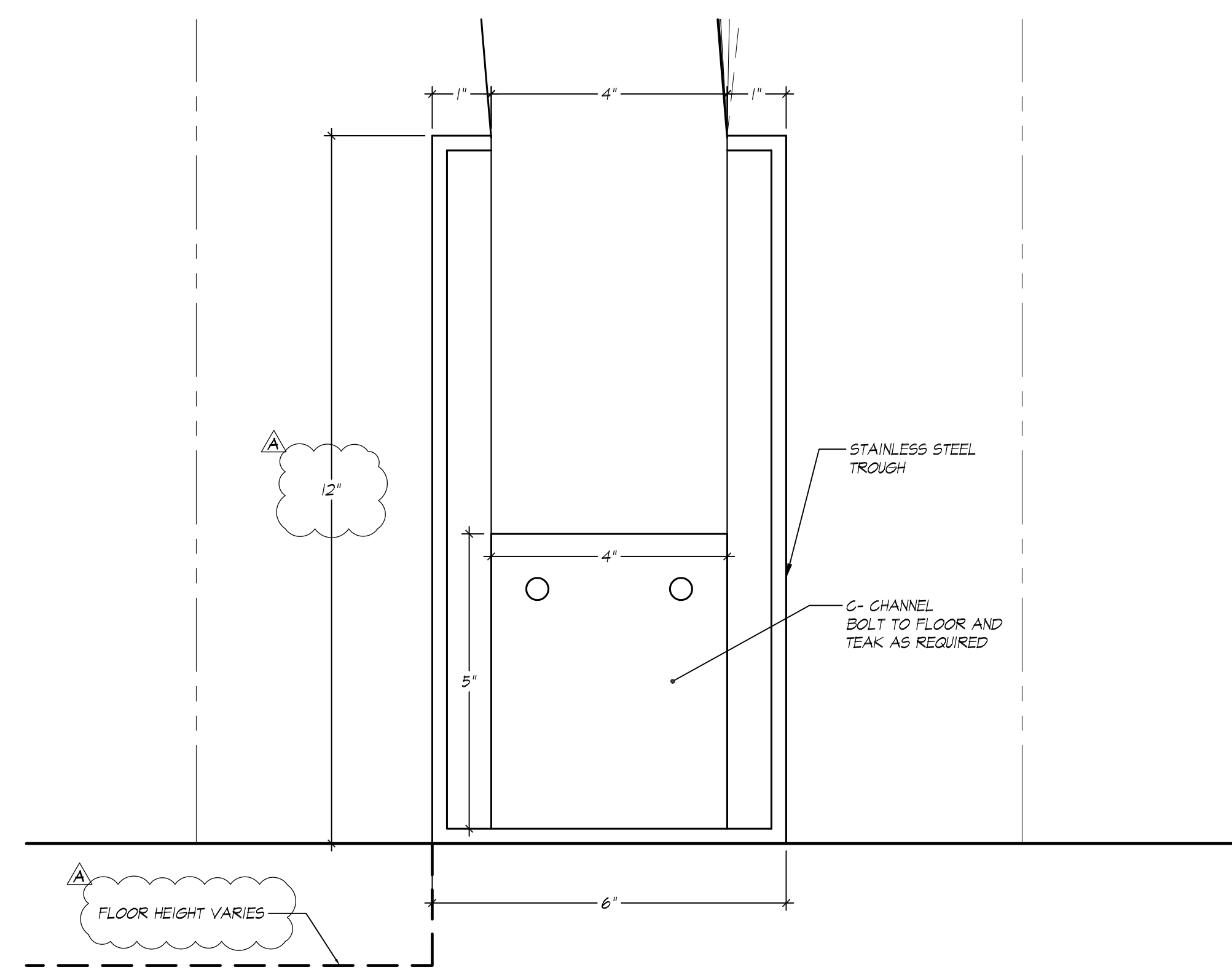


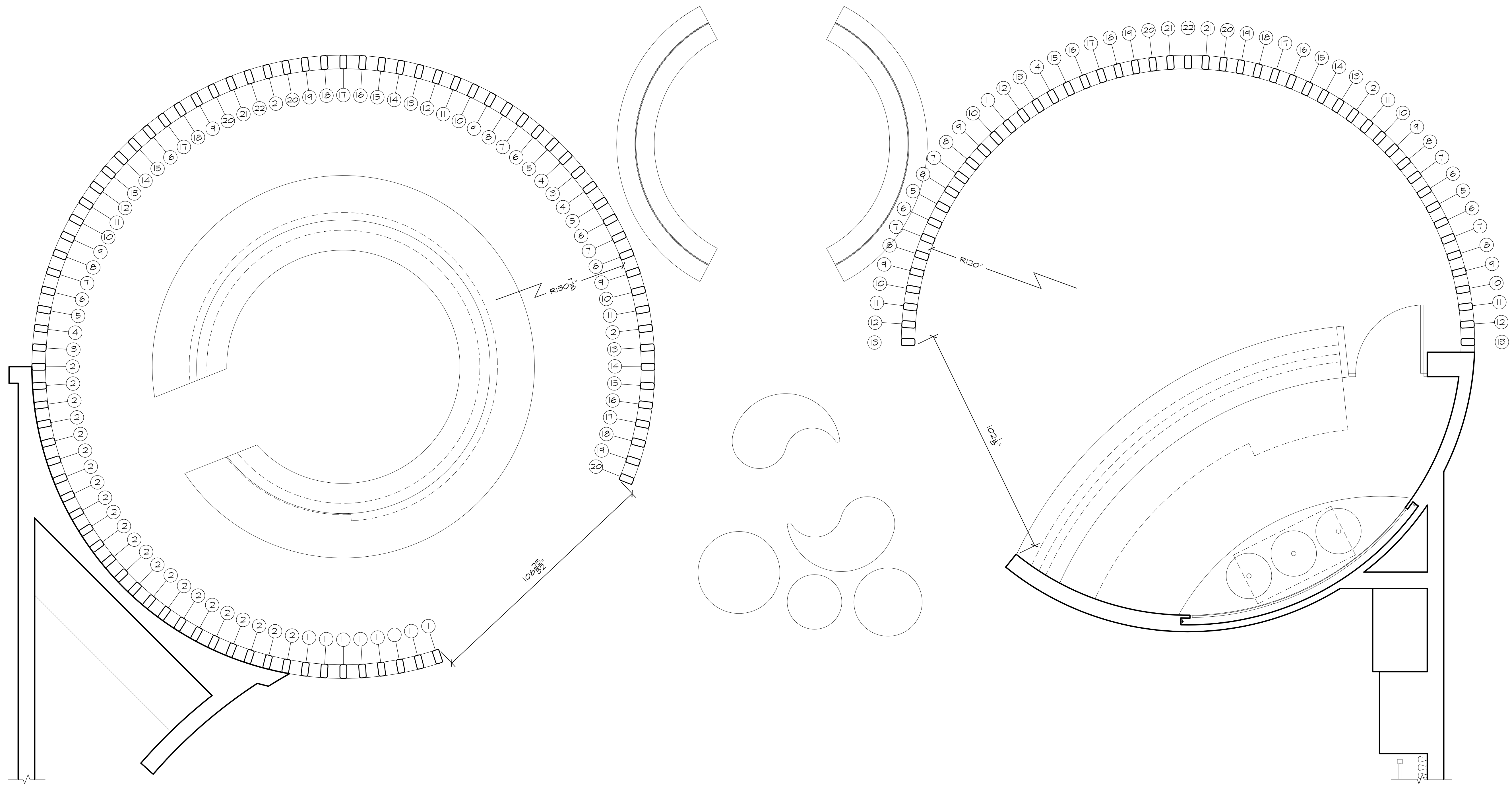
S-1 SECTION
FX-80 SCALE 3/8" = 1'-0"



E-1 ELEVATION
FX-80 SCALE 1/2" = 1'-0"

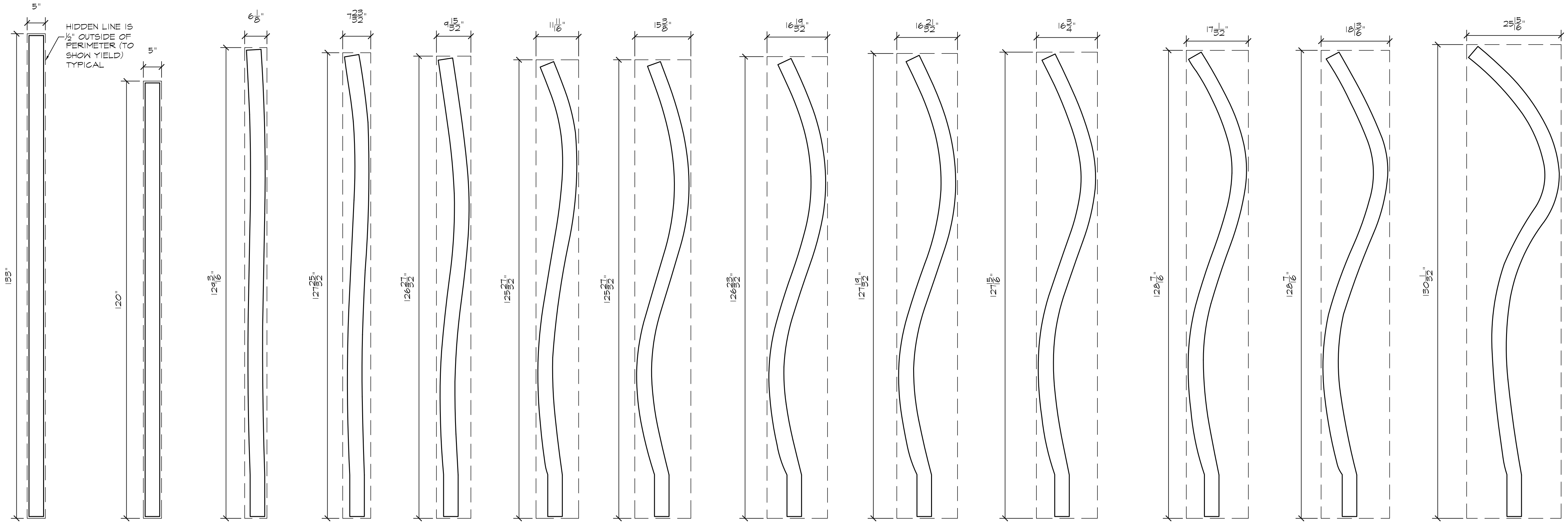


D-1 DETAIL
FX-80 SCALE HALF



PLAN DETAIL

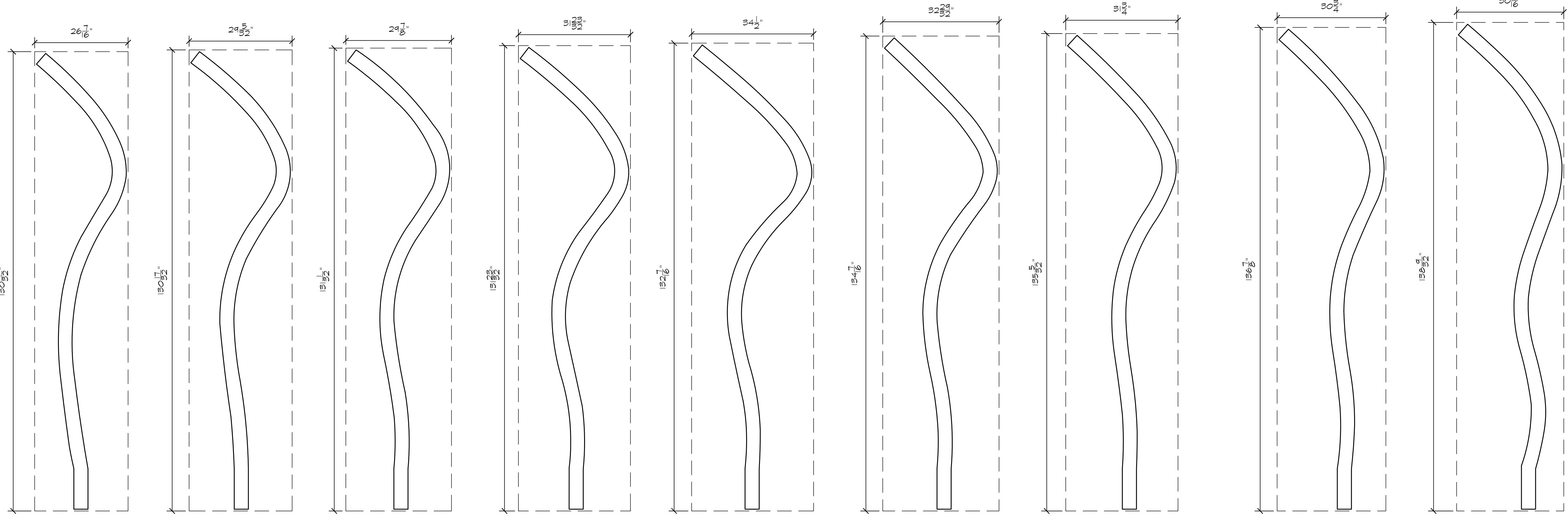
REF: 2 & 3 / ID601.04 1/2" = 12" 01



PROFILE #1: 6 PCS. PROFILE #2: 23 PCS. PROFILE #3: 2 PCS. PROFILE #4: 3 PCS. PROFILE #5: 5 PCS. PROFILE #6: 7 PCS. PROFILE #7: 7 PCS. PROFILE #8: 7 PCS. PROFILE #9: 7 PCS. PROFILE #10: 1 PCS. PROFILE #11: 7 PCS. PROFILE #12: 7 PCS. PROFILE #13: 7 PCS.

PROFILES

REF: ID601.05 & ID601.06 3/4" = 12" 01



PROFILE #14: 5 PCS. PROFILE #15: 5 PCS. PROFILE #16: 5 PCS. PROFILE #17: 5 PCS. PROFILE #18: 5 PCS. PROFILE #19: 5 PCS. PROFILE #20: 5 PCS. PROFILE #21: 4 PCS. PROFILE #22: 2 PCS.

PROFILES

REF: ID601.05 & ID601.06 3/4" = 12" 02