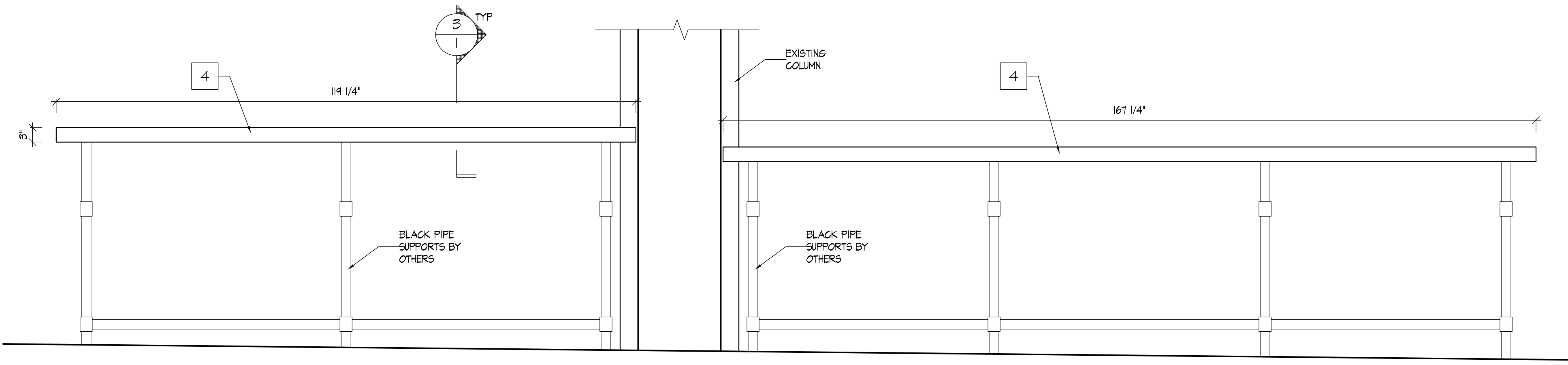
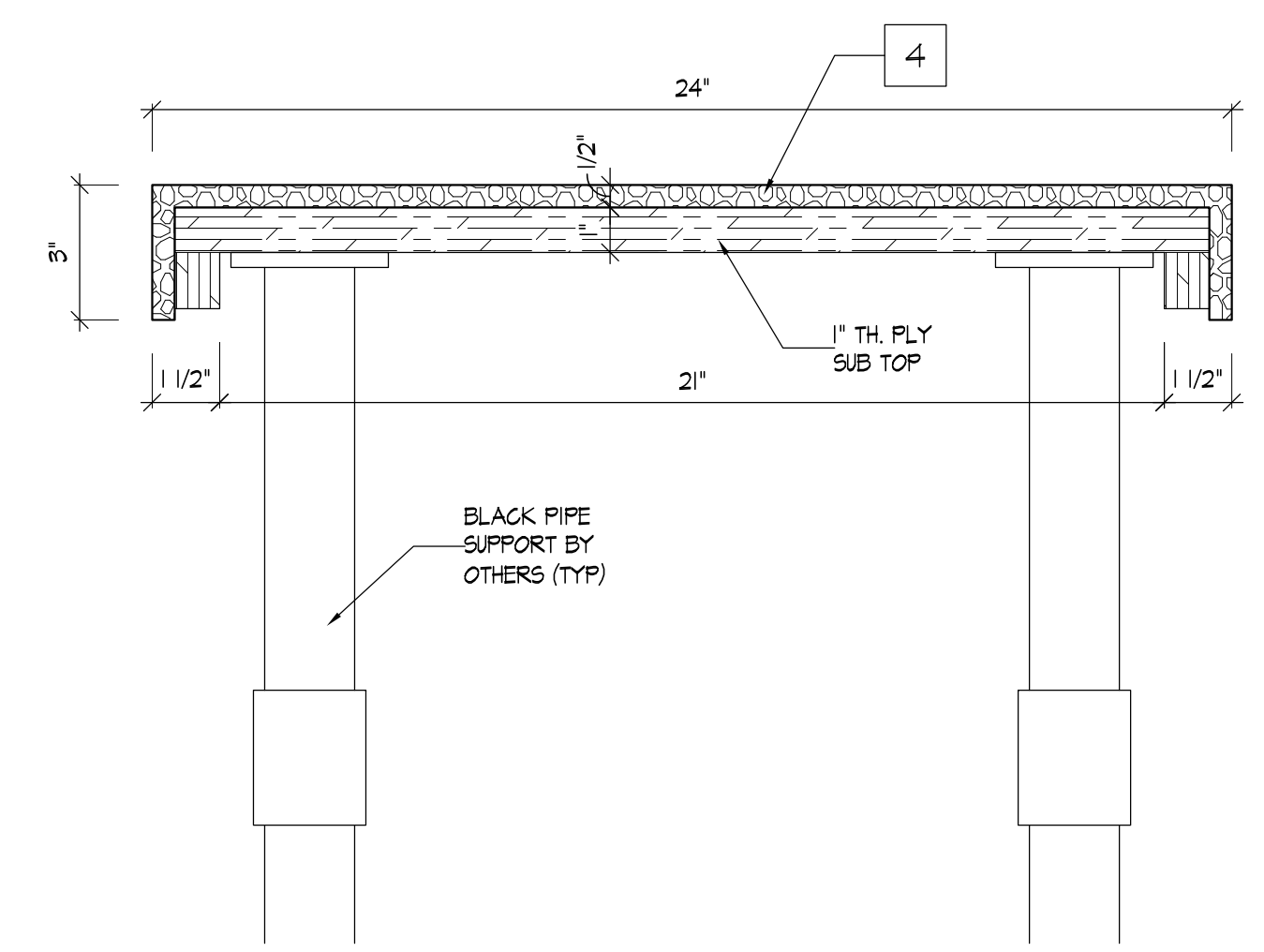


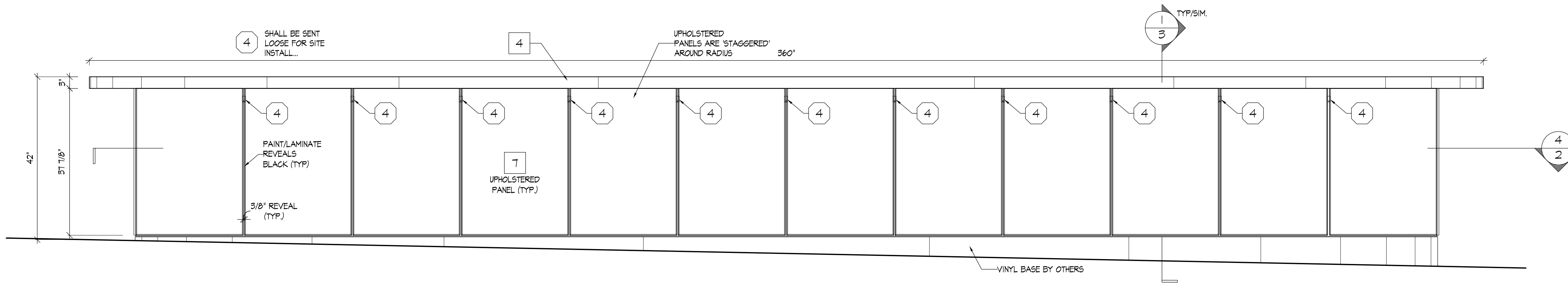
1 PLAN
 SCALE: 1/2"=12" ARCH. REF.: 1/A/1



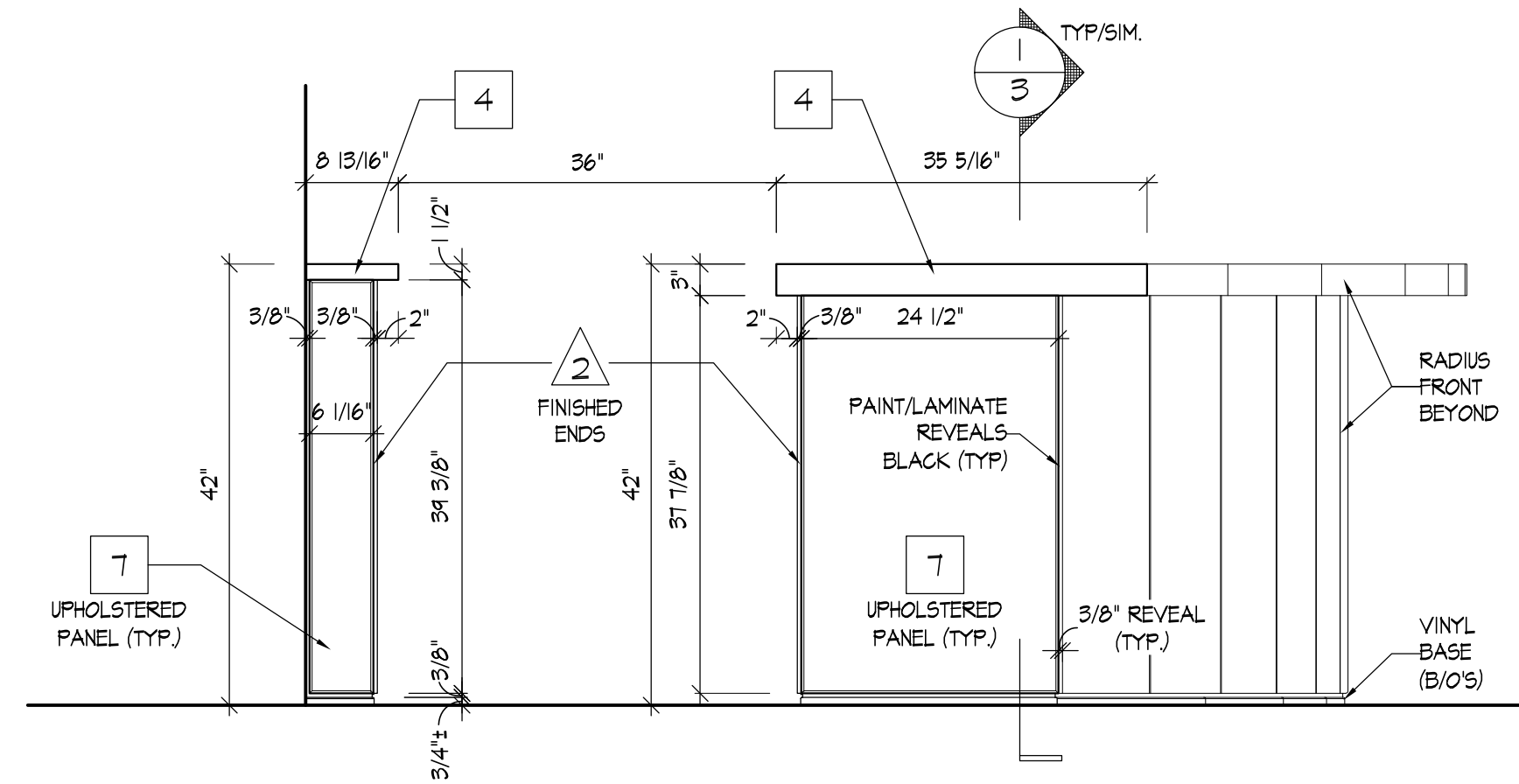
2 ELEVATION:
 SCALE: 3/4"=12" ARCH. REF.: 1/A/3



3 SECTION ELEVATION:
 SCALE: 3"=12" ARCH. REF.: 2/A/3

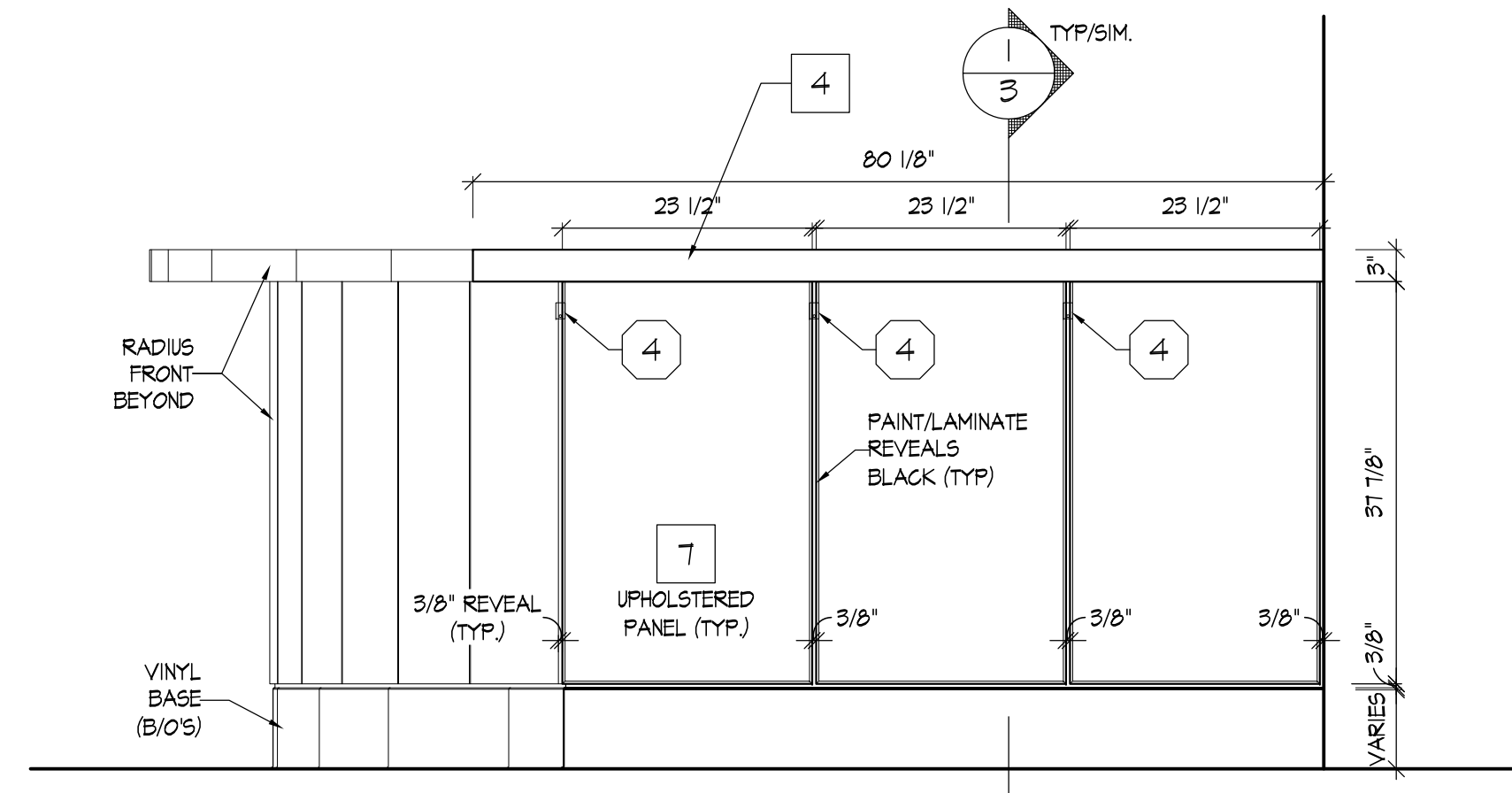


1 ELEVATION
2 SCALE: 3/4"=12" ARCH. REF.: 3/A3.2

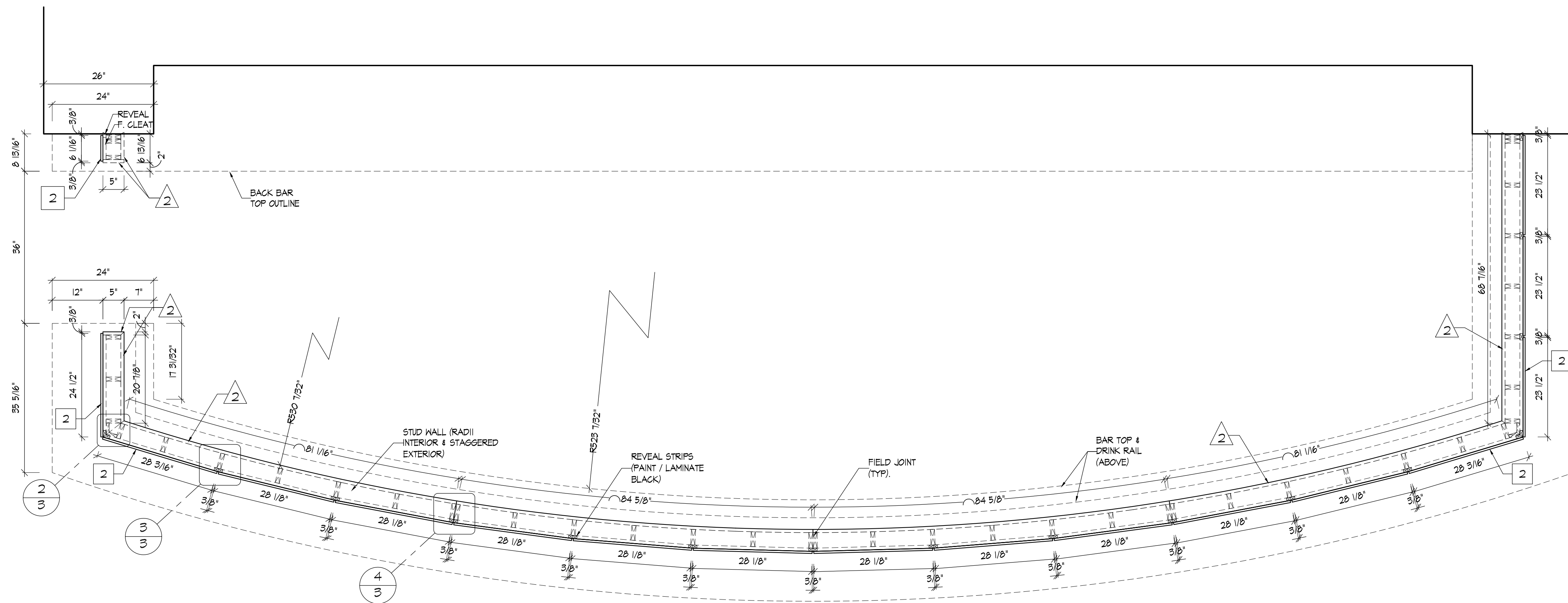


2 ELEVATION
2 SCALE: 3/4"=12" ARCH. REF.: 3/A3.2 (SIM)

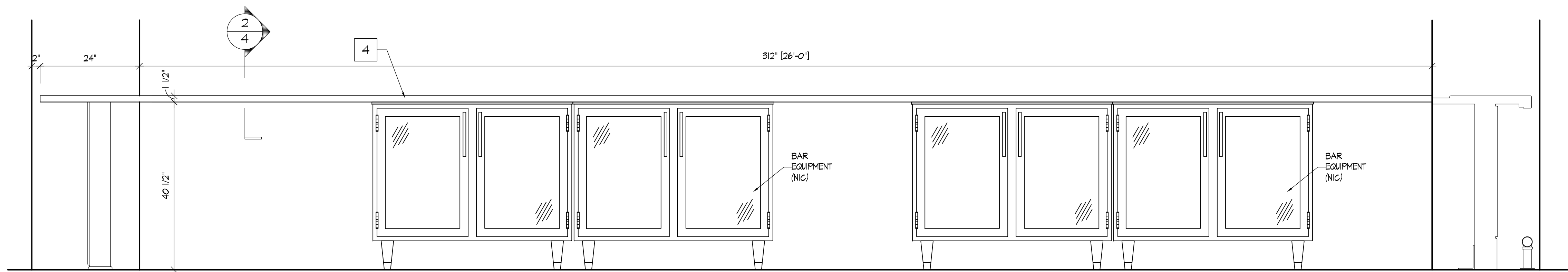
PLEASE NOTE THAT THE FOOTRAIL (BY OTHERS) HAS BEEN REMOVED FROM THE ELEVATIONS, FOR THE SAKE OF CLARITY...



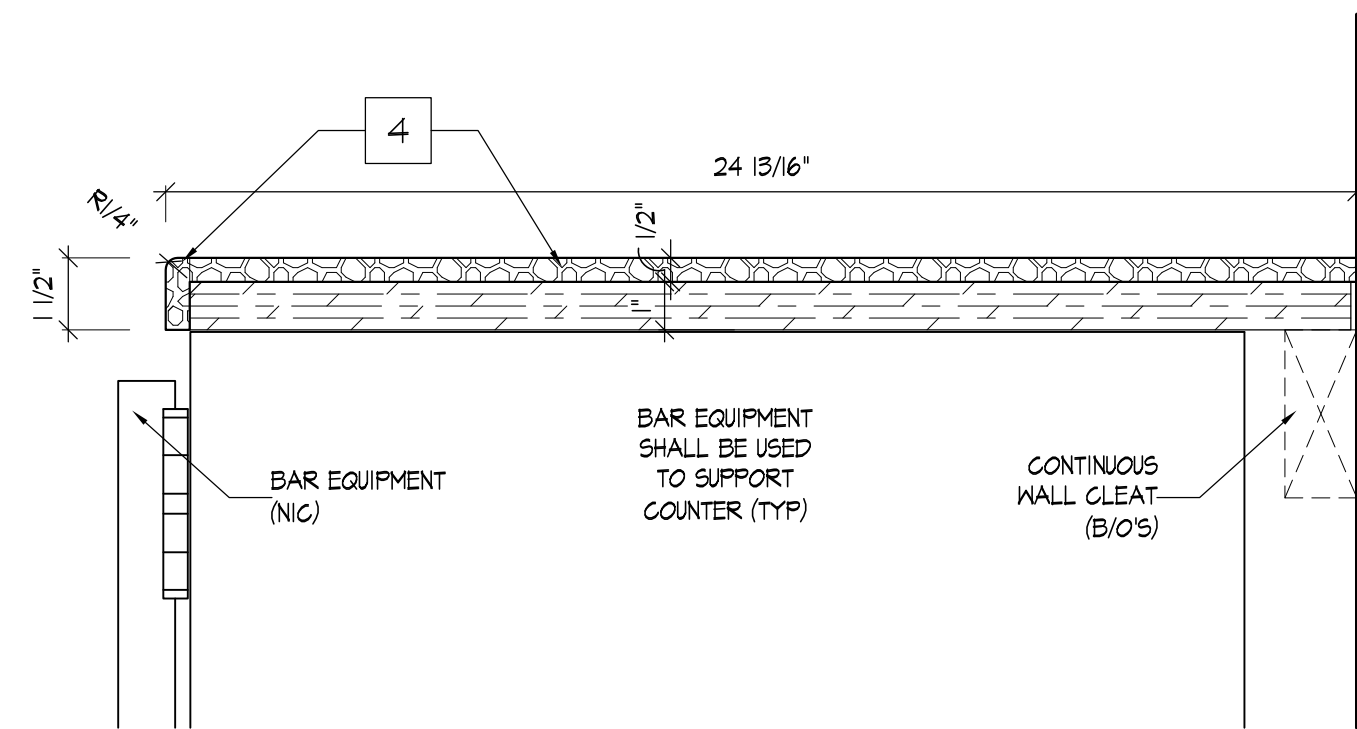
3 ELEVATION
2 SCALE: 3/4"=12" ARCH. REF.: 3/A3.2 (SIM)



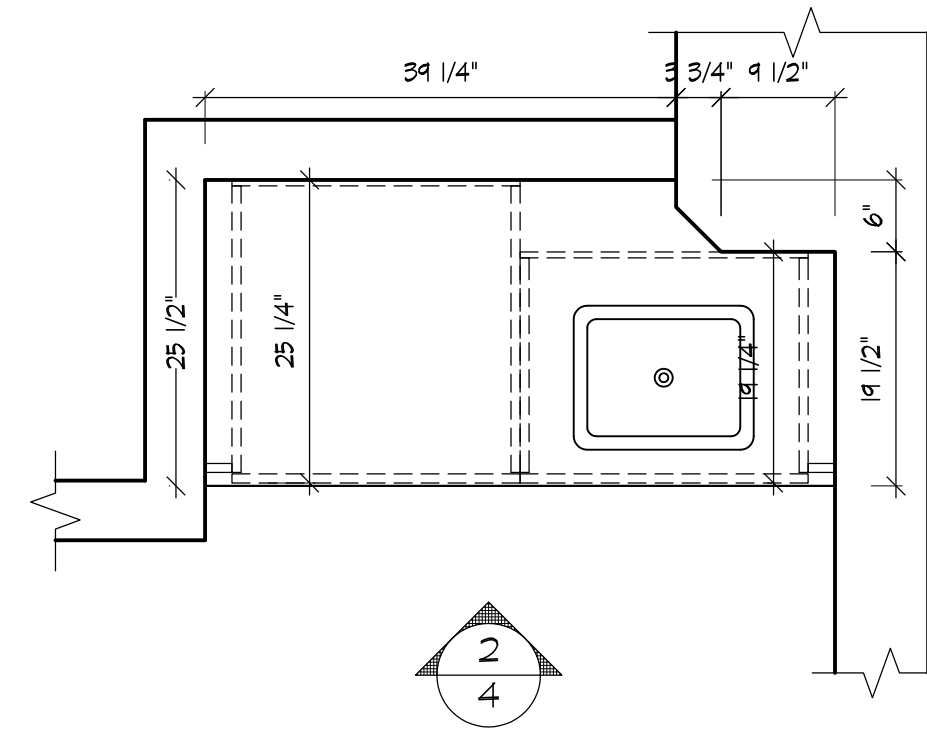
4 PLAN SECTION
2 SCALE: 3/4"=12" ARCH. REF.: NONE



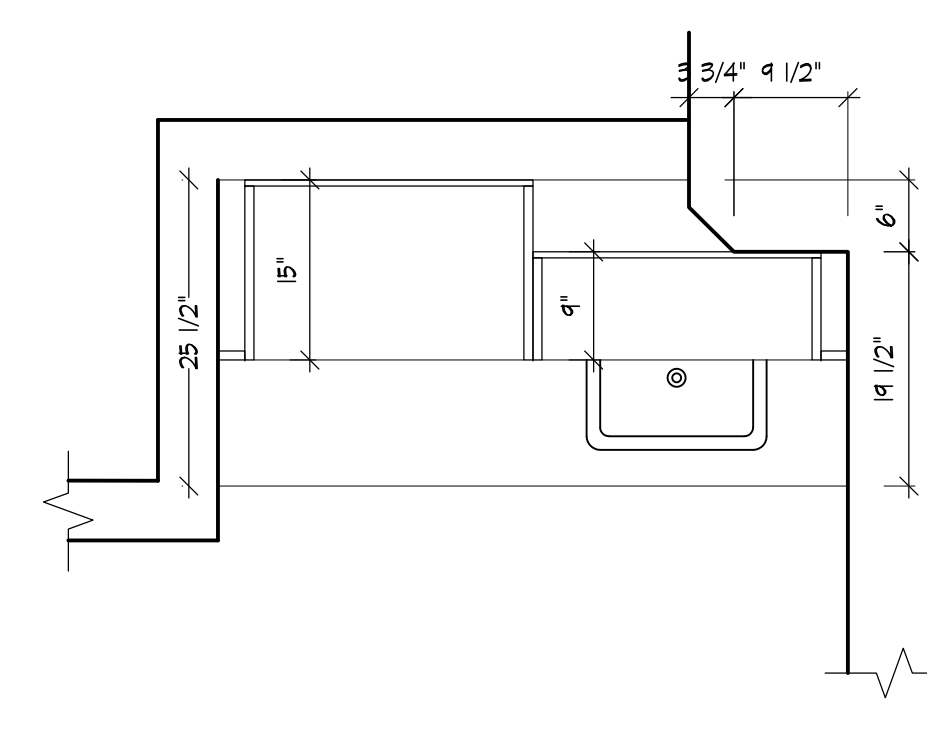
1 ELEVATION
4 SCALE: 3/4"=12" ARCH. REF.: 2/A3.2



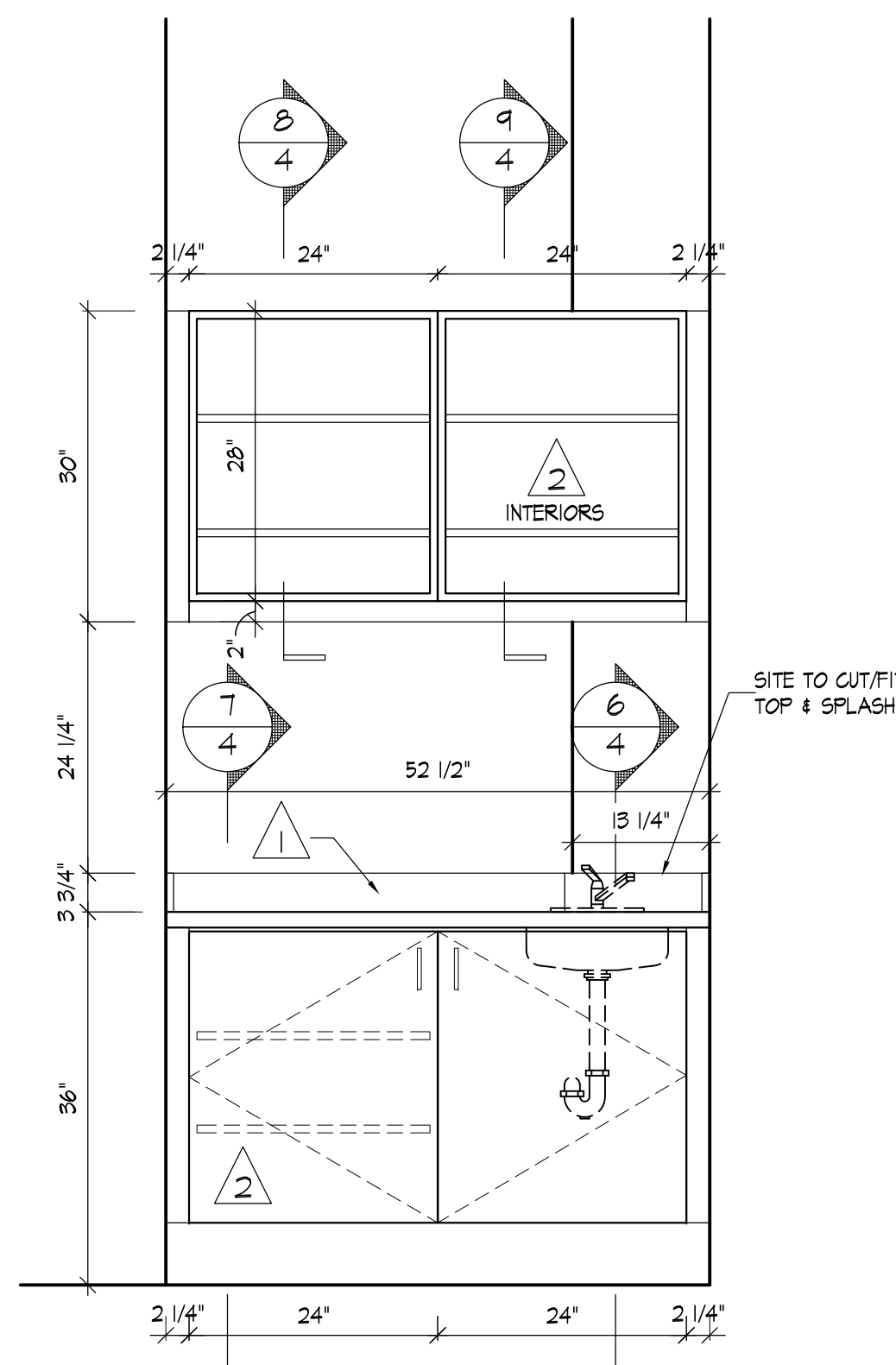
2 SECTION ELEVATION
4 SCALE: 3/4"=12" ARCH. REF.: 2/A4.2



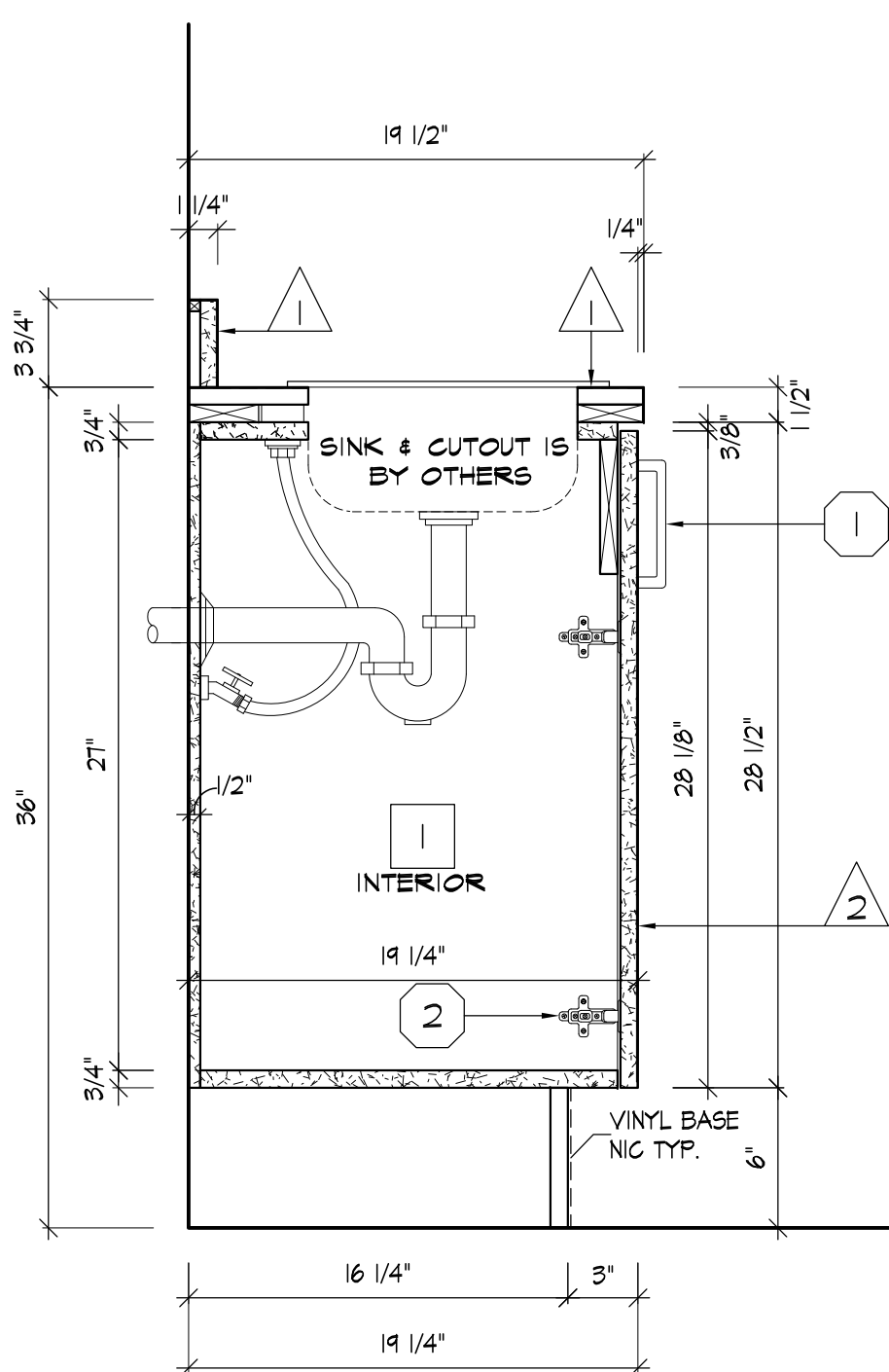
3 PLAN
4 SCALE: 3/4"=12" ARCH. REF.: 1/A1.1



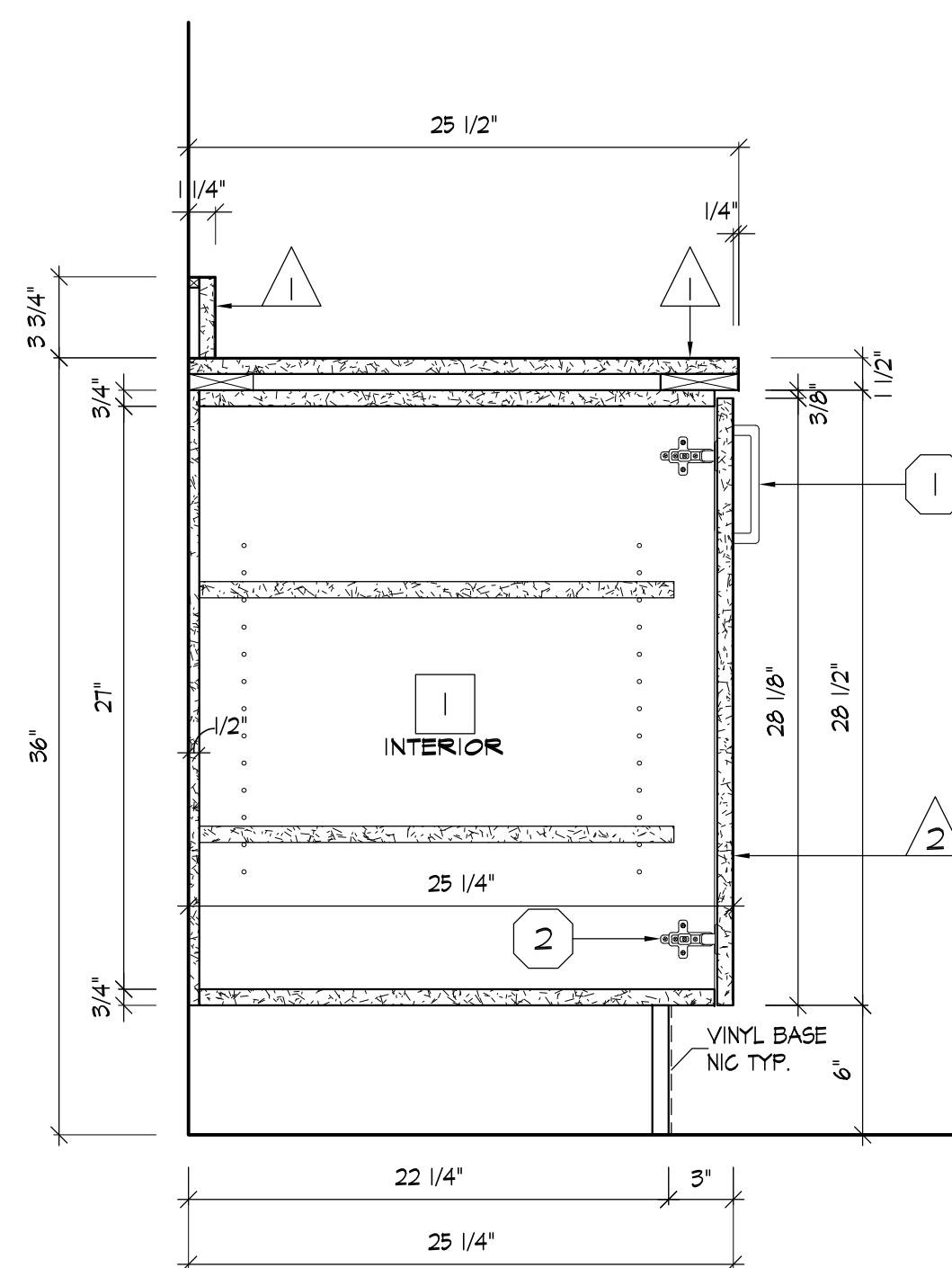
4 PLAN DETAIL (UPPERS)
4 SCALE: 3/4"=12" ARCH. REF.: 1/A1.1



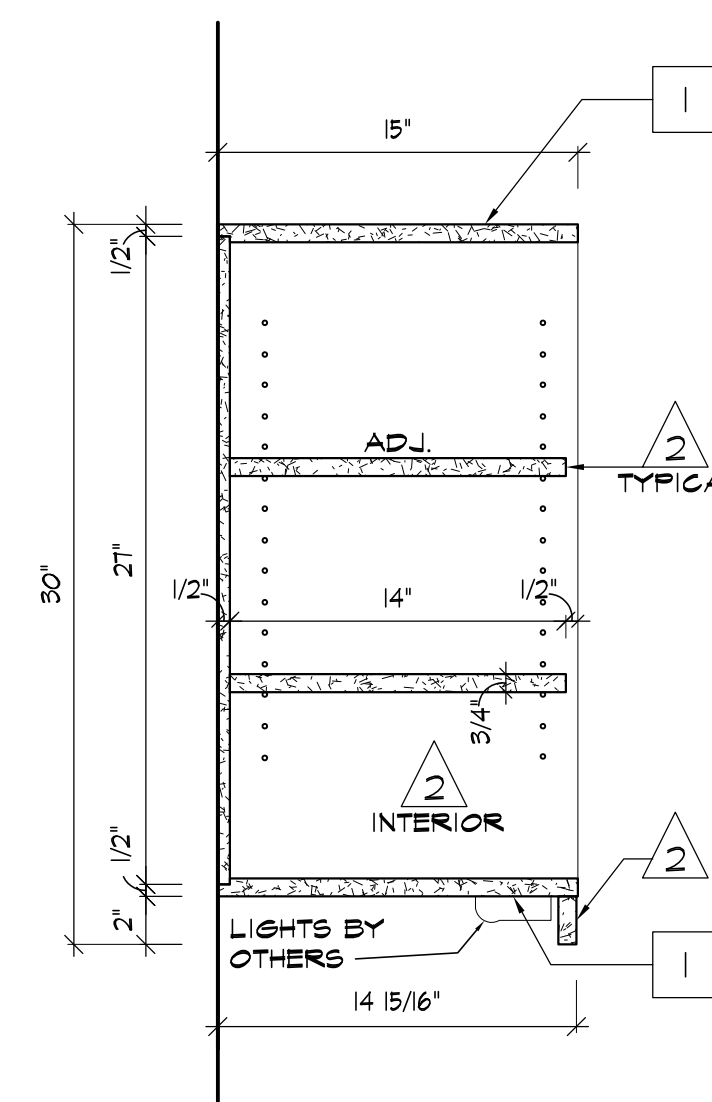
5 ELEVATION
4 SCALE: 3/4"=12" ARCH. REF.: 3/A3.3



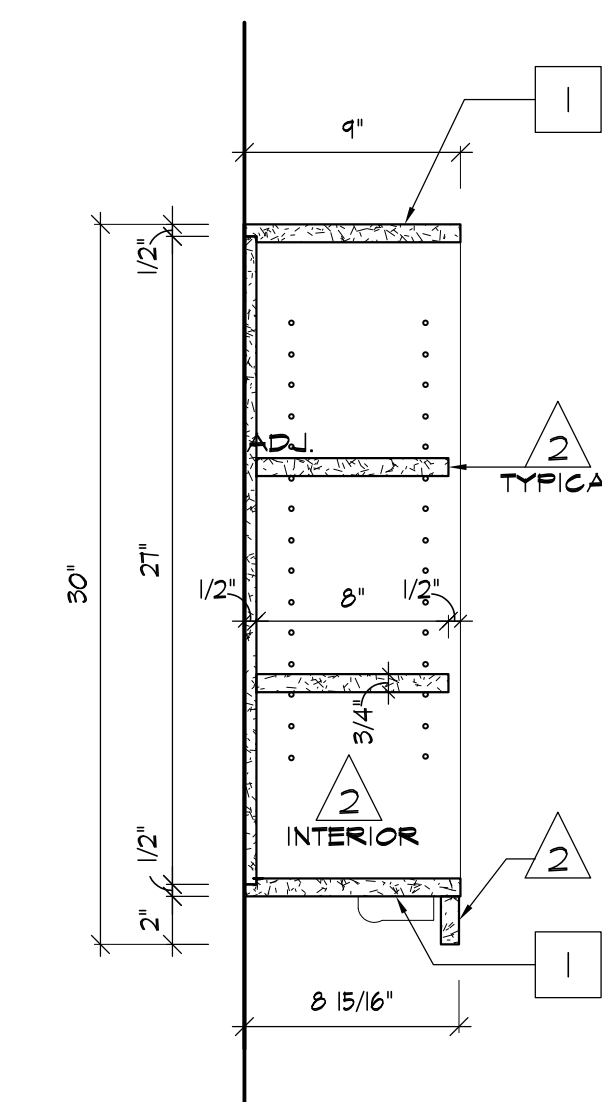
6 SECTION ELEVATION
4 SCALE: 1 1/2"=12" ARCH. REF.: 1/A4.3



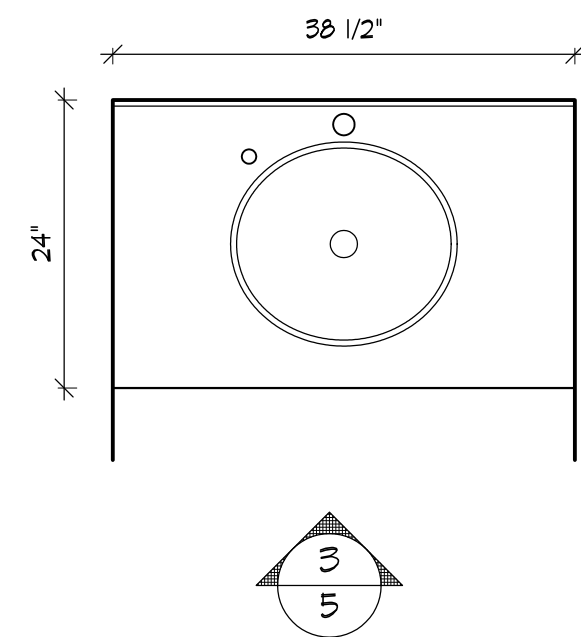
7 SECTION ELEVATION
4 SCALE: 1 1/2"=12" ARCH. REF.: 1/A4.3



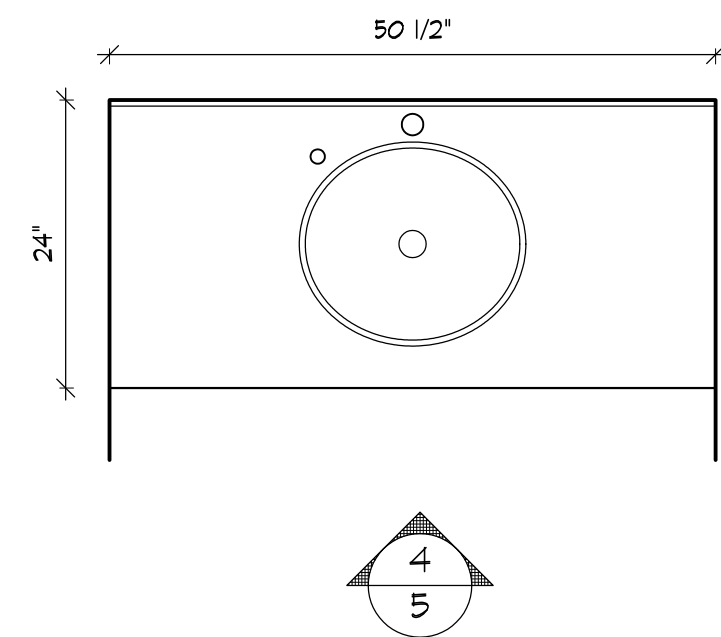
8 SECTION ELEVATION
4 SCALE: 1 1/2"=12" ARCH. REF.: 1/A4.3



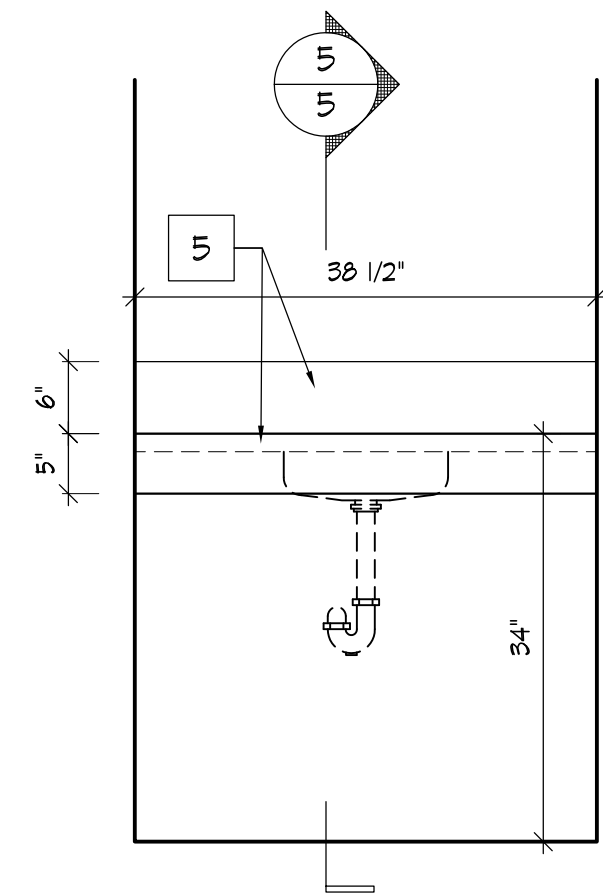
9 SECTION ELEVATION
4 SCALE: 1 1/2"=12" ARCH. REF.: 1/A4.3



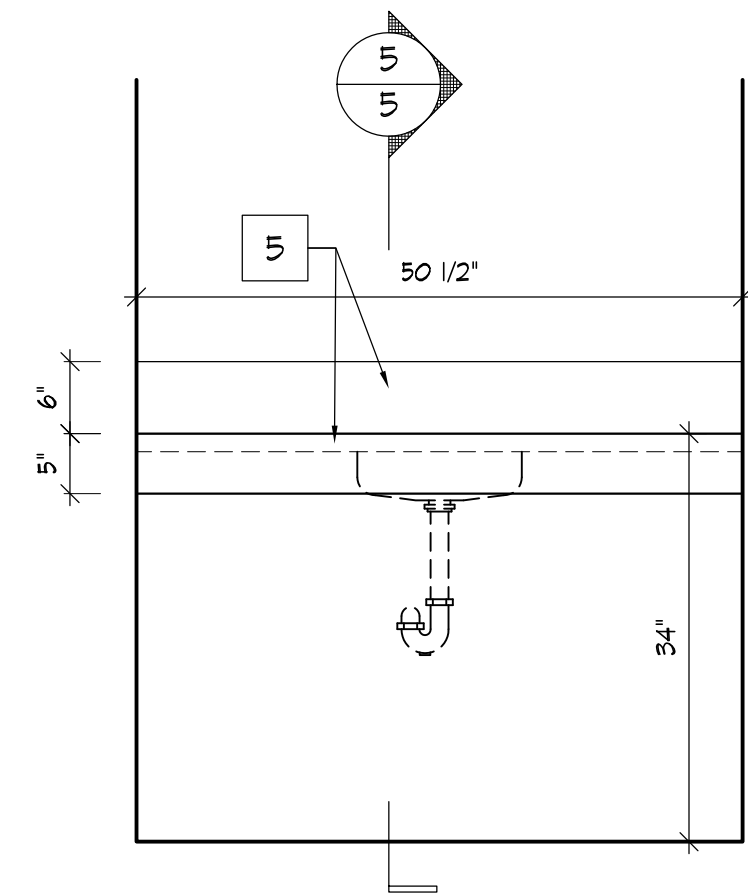
1 PLAN (MEN'S)
5 SCALE: 3/4"=12" ARCH. REF.: 1/A3.4



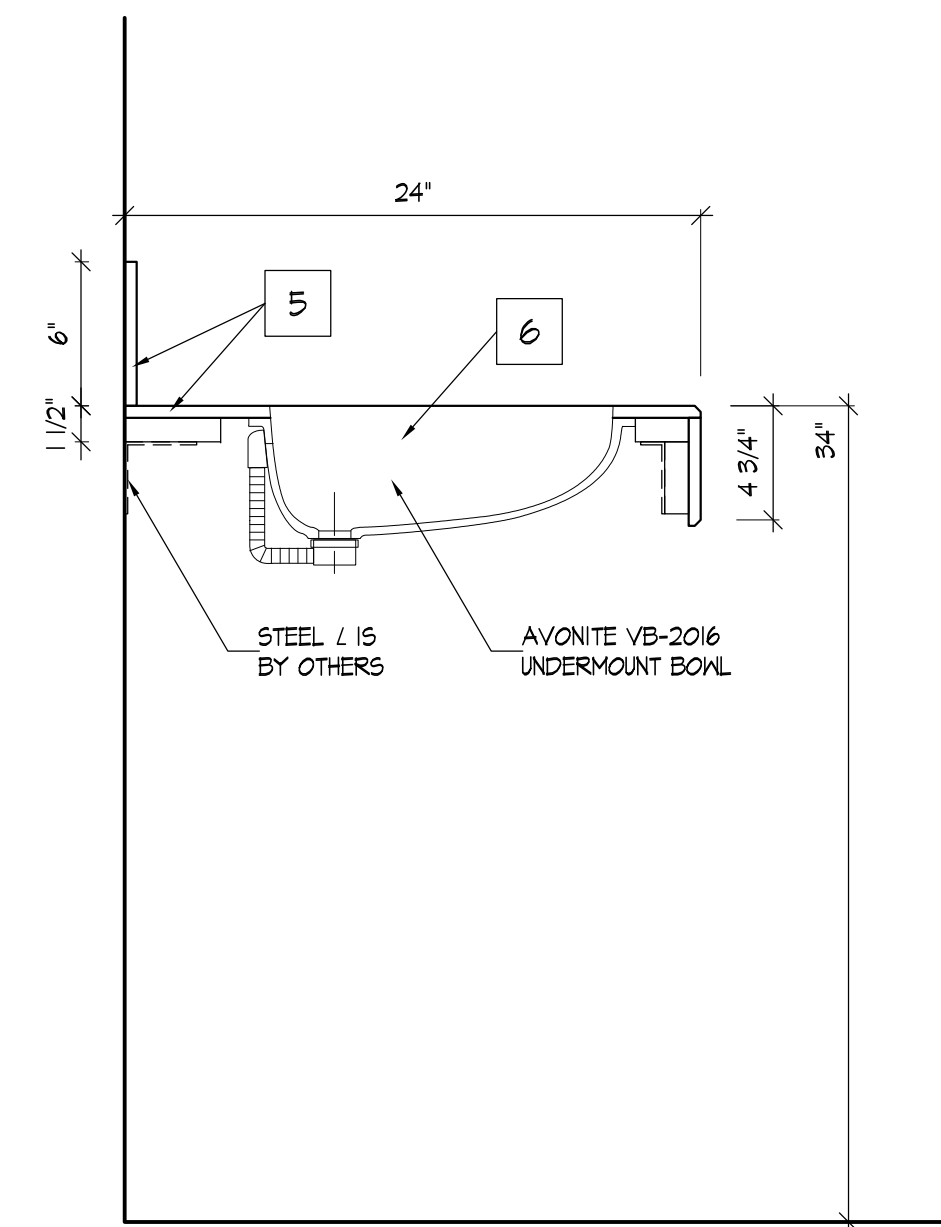
2 PLAN (WOMEN'S)
5 SCALE: 3/4"=12" ARCH. REF.: 1/A3.4



3 ELEVATION (MEN'S)
5 SCALE: 3/4"=12" ARCH. REF.: 1/A3.4

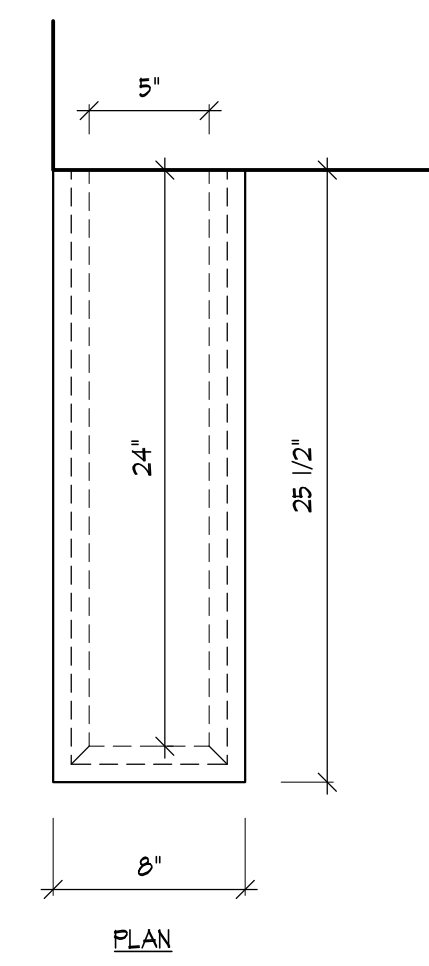


4 ELEVATION (WOMEN'S)
5 SCALE: 3/4"=12" ARCH. REF.: 1/A3.4

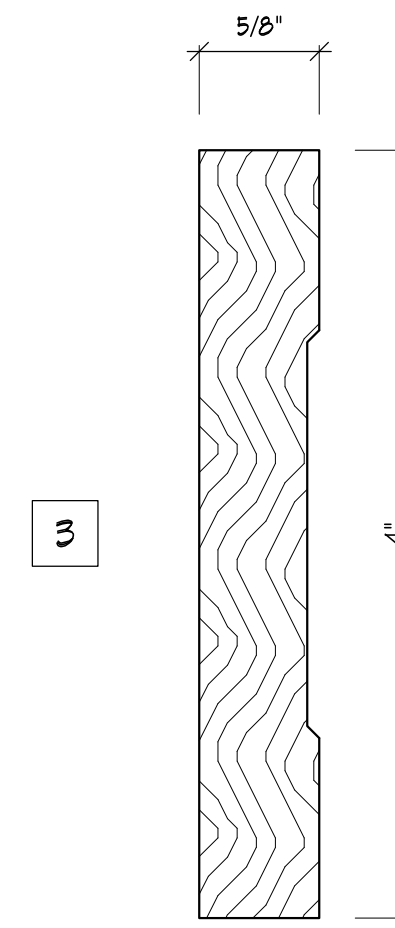
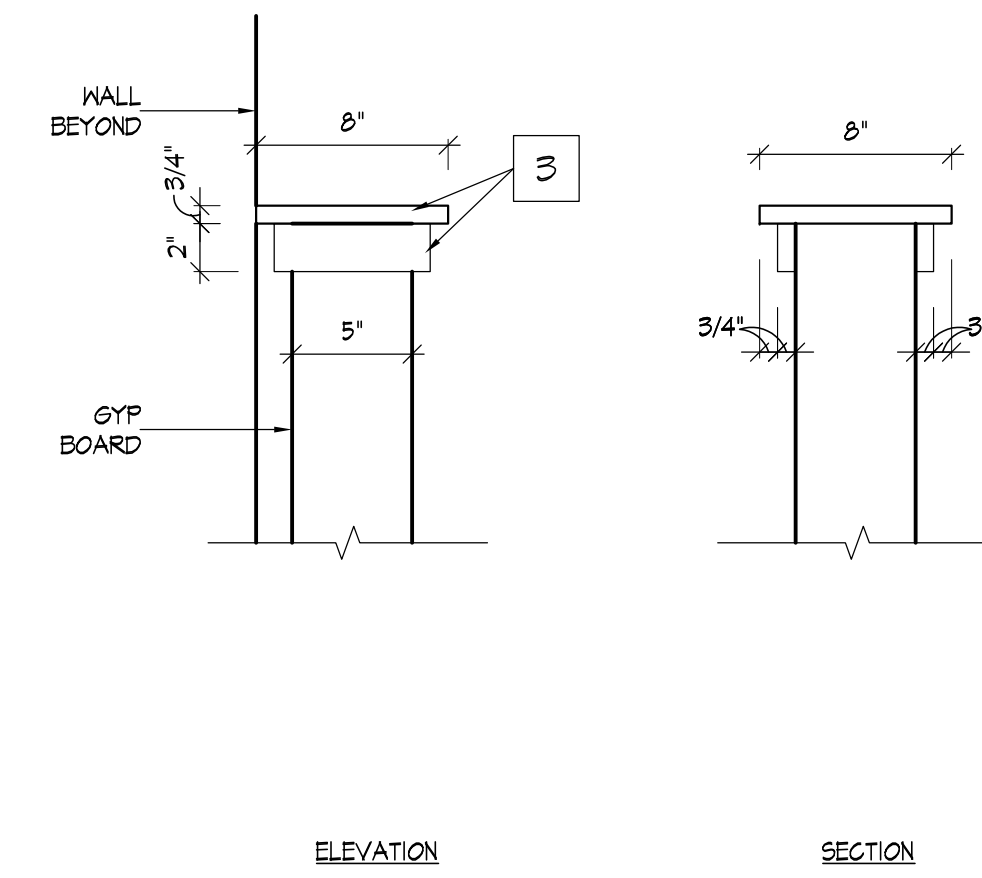


5 SECTION ELEVATION
5 SCALE: 1 1/2"=12" ARCH. REF.: 2/A4.3

ARCHITECT / GENERAL CONTRACTOR:
PLEASE PROVIDE EXACT MANUFACTURER, MAKE AND ITEM NUMBERS FOR ALL ITEMS THAT SHALL PENETRATE AVONITE COUNTERS, SPECIFICALLY FAUCET AND SOAP DISPENSER. (FAUCET & SOAP DISPENSER ARE BY OTHERS) PLEASE SPECIFY EXACT PLACEMENT OF SUCH ITEMS AS WELL.



6 MENS ROOM WALL CAP
5 SCALE: 1 1/2"=12" ARCH. REF.: 1/A3.4



7 RUNNING TRIM
5 SCALE: FULL ARCH. REF.: NONE

PROVIDE 80 LINEAL FEET (UNFINISHED)
(EASED EDGES TYPICAL)